

THIS DRAWING IS UNPUBLISHED.

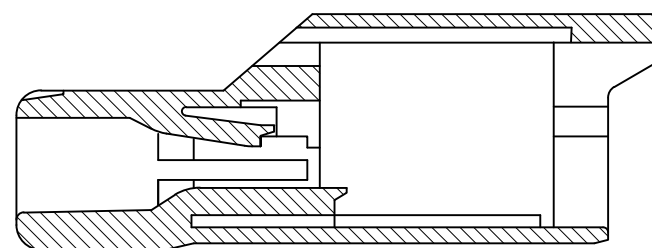
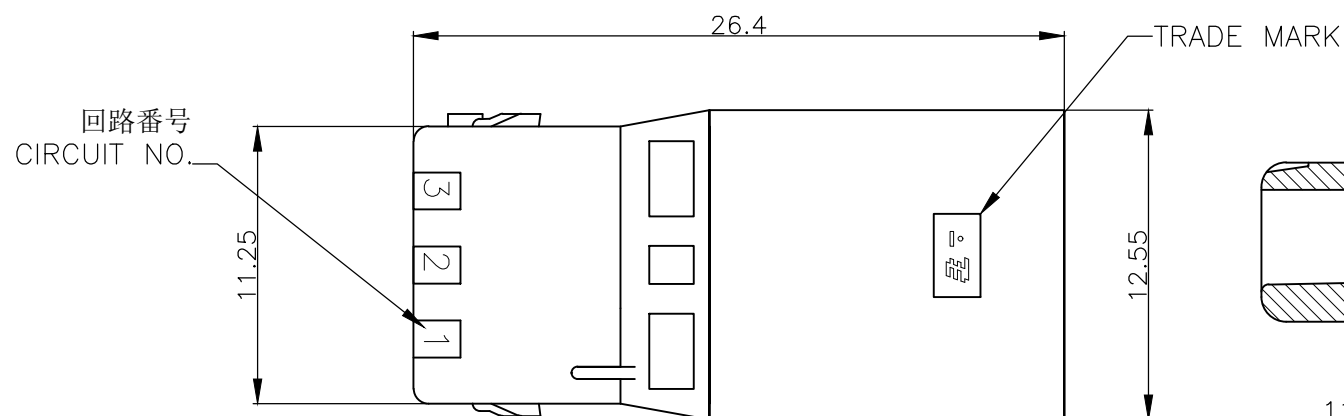
RELEASED FOR PUBLICATION

REVISIONS

© COPYRIGHT - By -

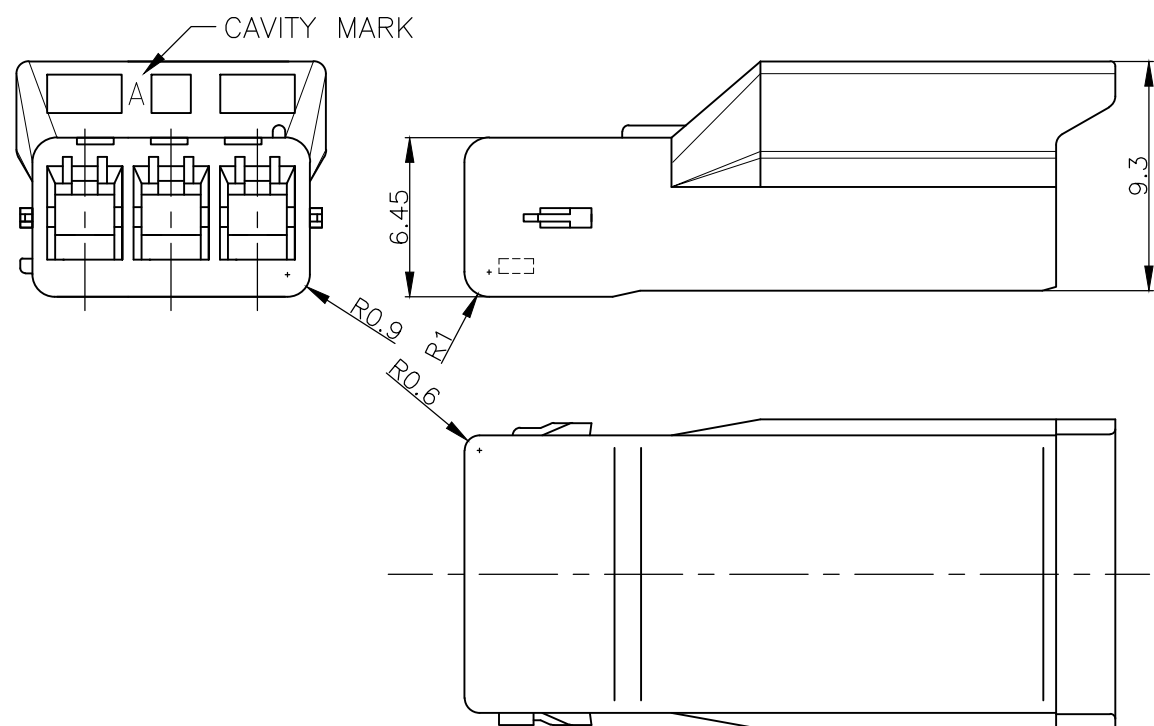
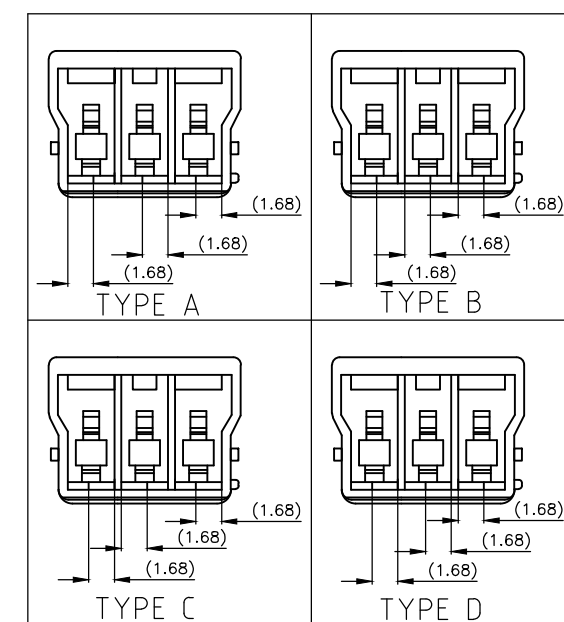
ALL RIGHTS RESERVED.

P	LTR	DESCRIPTION	DATE	DWN	APVD
	A3	REVISED PER ECR-19-006394	24APR2019	SC	D.Z



??A-A
SECT. A-A

KEYING TYPE



注) 1.一般公差:±0.25

△材料:66ナイロン ガラス無(UL94V-0)

△かん合相手製品型番

プラグハウジング:TABLE参照のこと

タブコンタクト:1565080-1,1612335-1

4. 適応プレート型番:1565090-1

NOTES)

1.GENERAL TOLERANCE:±0.25

△MATERIAL:66 NYLON NON-GLASS FILLED (UL94V-0)

△ MATING CONN. P/N

PLUG HOUSING:SEE TABLE

TAB CONTACT ;1565080-1,1612335-1

4. APPLICABLE PLATE P/N :1565090-1

1565082-5	A	GREEN	1565086-5
3-1565082-4	D	YELLOW	3-1565086-4
2-1565082-3	C	BLUE	2-1565086-3
1-1565082-2	B	RED	1-1565086-2
1565082-1	A	NATURAL	1565086-1
△MATING HSG P/N	KEYING TYPE	COLOR	P/N

THIS DRAWING IS A CONTROLLED DOCUMENT.		DWN A.OISHI 30 MAY. '02	STE TE Connectivity	
DIMENSIONS: mm		CHK M.SHINDO 30 MAY. '02		
TOLERANCES UNLESS OTHERWISE SPECIFIED.		APVD M.SHINDO 30 MAY. '02	NAME GRACE INERTIA CONNECTOR 3.5 3POS CAP HOUSING	
0 PLC ± -		PRODUCT SPEC 108-5810	SIZE グレイス・イナーシャ・コネクタ 3.5 3極 キャップハウ	
1 PLC ± -		APPLICATION SPEC 114-5306	CAGE CODE A300779	DRAWING NO C=1565086
2 PLC ± -		WEIGHT	RESTRICTED TO	
3 PLC ± -		CUSTOMER DRAWING	SCALE -	SHEET 1 OF 1
4 PLC ± -				REV A3
ANGLES ± -				
FINISH -				
MATERIAL SEE NOTE				

X-ON Electronics

Largest Supplier of Electrical and Electronic Components

Click to view similar products for [Headers & Wire Housings](#) category:

Click to view products by [TE Connectivity](#) manufacturer:

Other Similar products are found below :

[892-18-020-10-001101](#) [58102-G61-06LF](#) [582553-1](#) [0009485154](#) [009176003701906](#) [0050291907](#) [LY20-4P-DT1-P1E-BR](#) [02.125.8002.8](#)
[609-3404](#) [61062-3](#) [61082-181009](#) [622-3653LF](#) [63453-116](#) [636-1030](#) [636-1427](#) [636-3427](#) [636-4007](#) [641938-9](#) [641991-4](#) [644827-2](#) [65817-](#)
[010LF](#) [65817-015LF](#) [65863-015LF](#) [66207-023LF](#) [67095-007LF](#) [67601157](#) [68645-018](#) [68648-049](#) [70.362.1628.0](#) [70-4210](#) [70-4226B](#) [70-](#)
[4853B](#) [707-5020](#) [707-5028](#) [71.350.2428.0](#) [71918-208LF](#) [71961-016LF](#) [733-134](#) [733-162](#) [754199-000](#) [760-3052](#) [787-8014-00](#) [79531-3000](#)
[FCN-360C032-B](#) [FCN-367T-T012/H](#) [FCN-723D010/2](#) [80.063.4001.1](#) [800-90-001-10-001000](#) [800-90-010-10-002000](#) [801-43-002-10-013000](#)