

THIS DRAWING IS UNPUBLISHED.

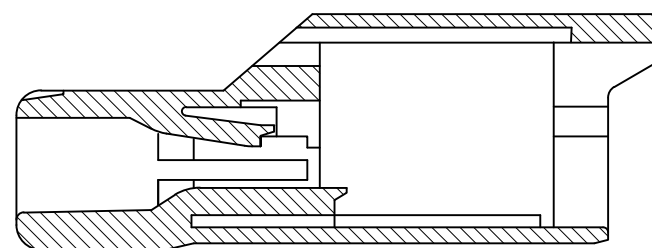
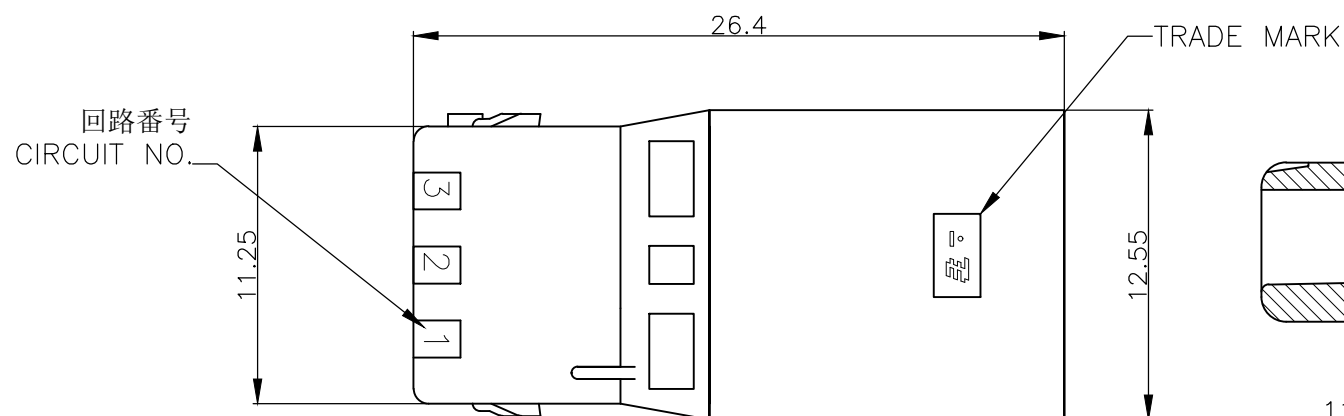
RELEASED FOR PUBLICATION

REVISIONS

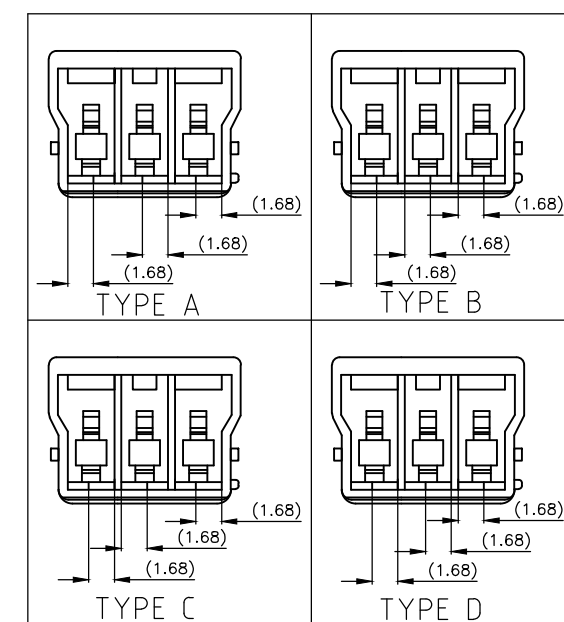
© COPYRIGHT - By -

ALL RIGHTS RESERVED.

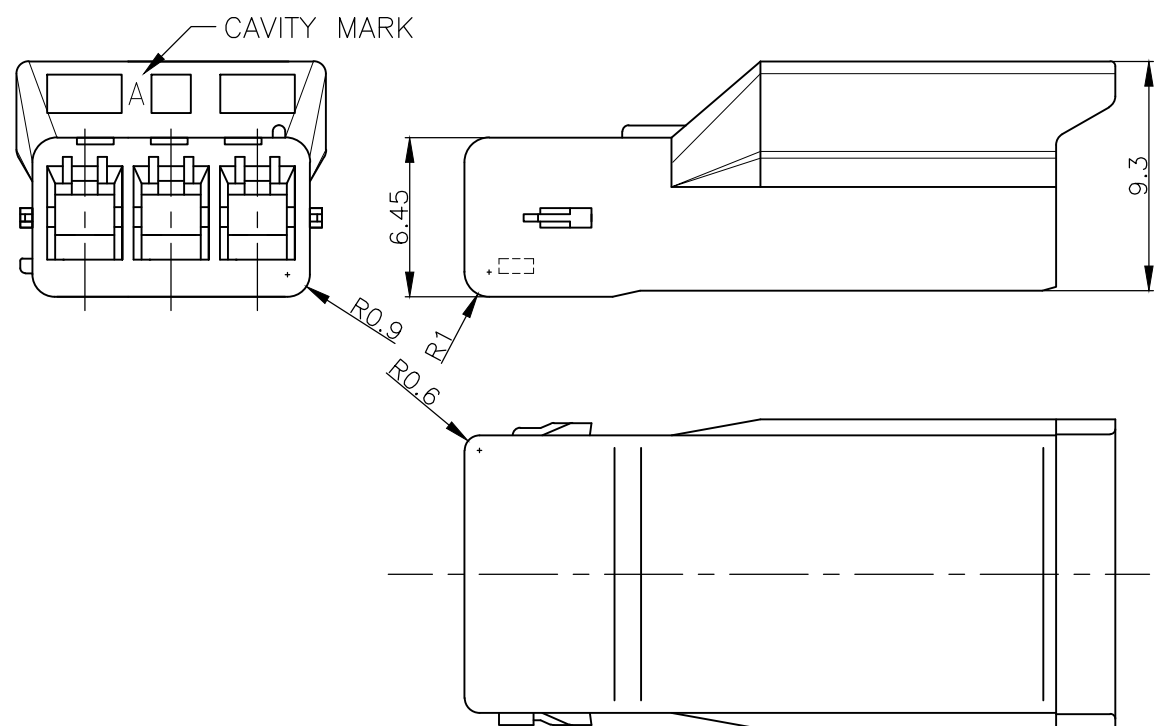
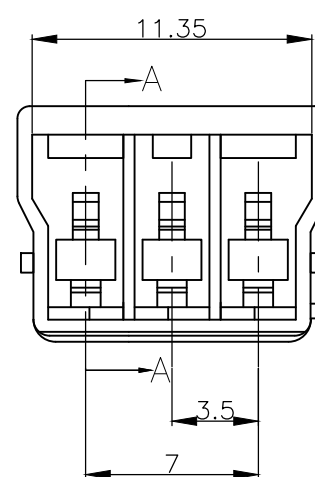
| P | LTR | DESCRIPTION | DATE | DWN | APVD |
|---|-----|---------------------------|-----------|-----|------|
| | A3 | REVISED PER ECR-19-006394 | 24APR2019 | SC | D.Z |



KEYING TYPE



??A-A
SECT. A-A



注) 1.一般公差:±0.25

△材料:66ナイロン ガラス無(UL94V-0)

△かん合相手製品型番

プラグハウジング:TABLE参照のこと

タブコンタクト:1565080-1,1612335-1

4. 適応プレート型番:1565090-1

NOTES)

1.GENERAL TOLERANCE:±0.25

△MATERIAL:66 NYLON NON-GLASS FILLED (UL94V-0)

△ MATING CONN. P/N

PLUG HOUSING:SEE TABLE

TAB CONTACT ;1565080-1,1612335-1

4. APPLICABLE PLATE P/N :1565090-1

| | | | |
|-----------------|-------------|---------|-------------|
| 1565082-5 | A | GREEN | 1565086-5 |
| 3-1565082-4 | D | YELLOW | 3-1565086-4 |
| 2-1565082-3 | C | BLUE | 2-1565086-3 |
| 1-1565082-2 | B | RED | 1-1565086-2 |
| 1565082-1 | A | NATURAL | 1565086-1 |
| △MATING HSG P/N | KEYING TYPE | COLOR | P/N |

| | | | | |
|--|--|---------------------------------|-------------------------------|---------------|
| THIS DRAWING IS A CONTROLLED DOCUMENT. | | DWN A.OISHI 30 MAY. '02 | STE TE Connectivity | |
| DIMENSIONS: mm | | CHK M.SHINDO 30 MAY. '02 | | |
| TOLERANCES UNLESS OTHERWISE SPECIFIED. | | APVD M.SHINDO 30 MAY. '02 | NAME | |
| 0 PLC ± - | | PRODUCT SPEC | GRACE INERTIA CONNECTOR 3.5 | |
| 1 PLC ± - | | 108-5810 | 3POS CAP HOUSING | |
| 2 PLC ± - | | APPLICATION SPEC | グレイス・イナーシャ・コネクタ 3.5 3極 キャップハウ | |
| 3 PLC ± - | | 114-5306 | SIZE | RESTRICTED TO |
| 4 PLC ± - | | WEIGHT | A300779 | — |
| ANGLES ± - | | CUSTOMER DRAWING | CAGE CODE | DRAWING NO |
| FINISH - | | SCALE - | 1565086 | SHEET 1 OF 1 |
| MATERIAL SEE NOTE | | REV A3 | | |

X-ON Electronics

Largest Supplier of Electrical and Electronic Components

Click to view similar products for [Headers & Wire Housings](#) category:

Click to view products by [TE Connectivity](#) manufacturer:

Other Similar products are found below :

[892-18-020-10-001101](#) [58102-G61-06LF](#) [582553-1](#) [0009485154](#) [009176003701906](#) [0050291907](#) [LY20-4P-DT1-P1E-BR](#) [02.125.8002.8](#)
[609-3404](#) [61062-3](#) [61082-181009](#) [622-3653LF](#) [63453-116](#) [636-1030](#) [636-1427](#) [636-3427](#) [636-4007](#) [641938-9](#) [641991-4](#) [644827-2](#) [65817-010LF](#) [65817-015LF](#) [65863-015LF](#) [66207-023LF](#) [67095-007LF](#) [67601157](#) [68645-018](#) [68648-049](#) [70.362.1628.0](#) [70-4210](#) [70-4226B](#) [70-4853B](#) [707-5020](#) [707-5028](#) [71.350.2428.0](#) [71918-208LF](#) [71961-016LF](#) [733-134](#) [733-162](#) [754199-000](#) [760-3052](#) [787-8014-00](#) [79531-3000](#)
[FCN-360C032-B](#) [FCN-367T-T012/H](#) [FCN-723D010/2](#) [80.063.4001.1](#) [800-90-001-10-001000](#) [800-90-010-10-002000](#) [801-43-002-10-013000](#)