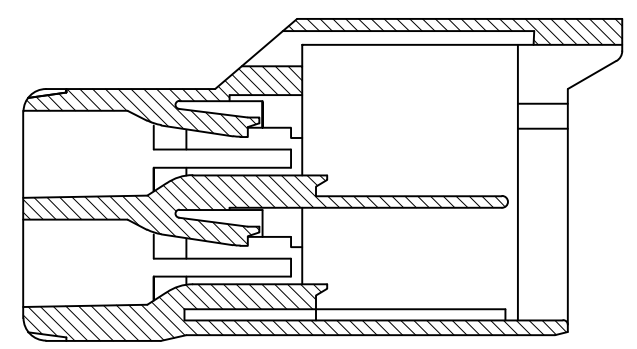
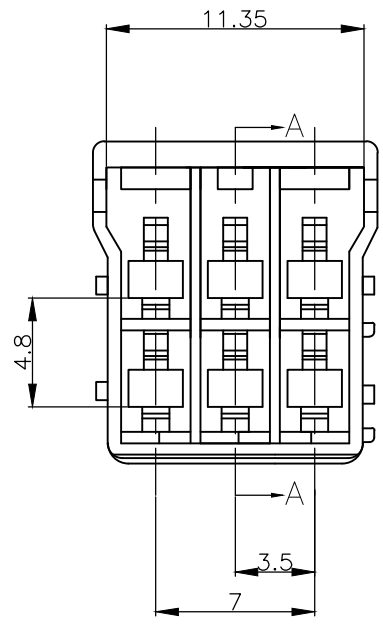
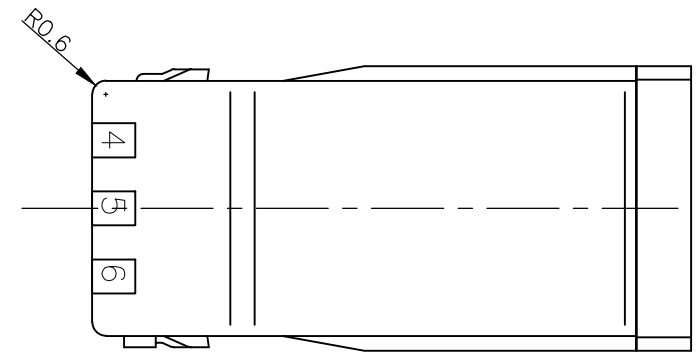
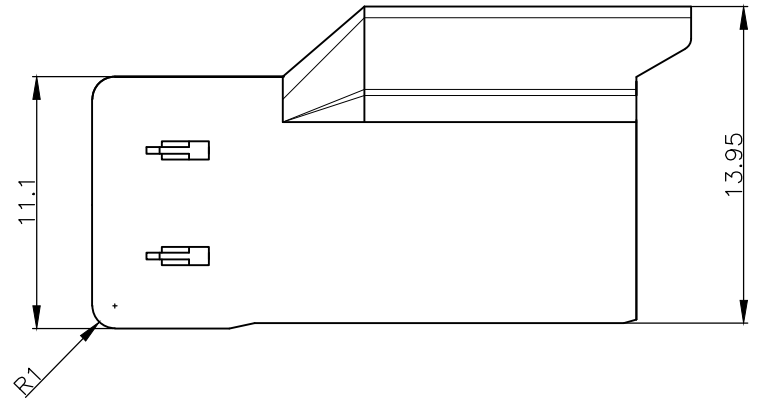
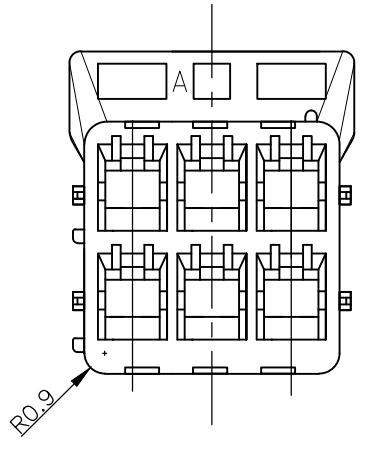
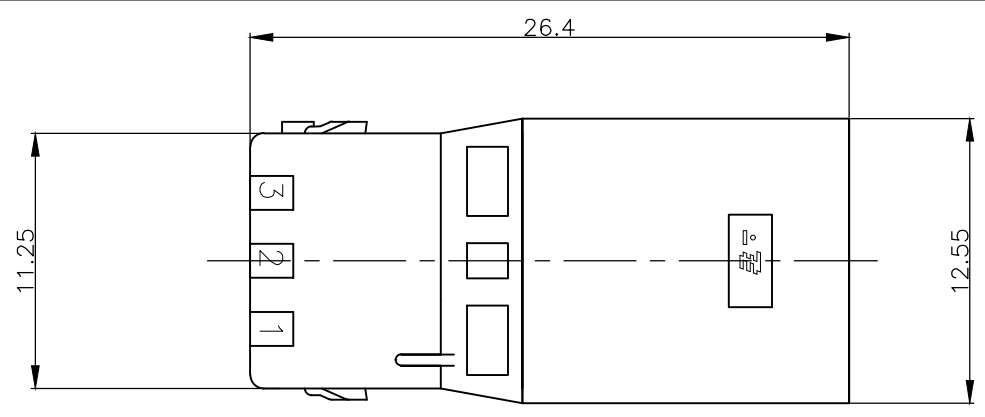


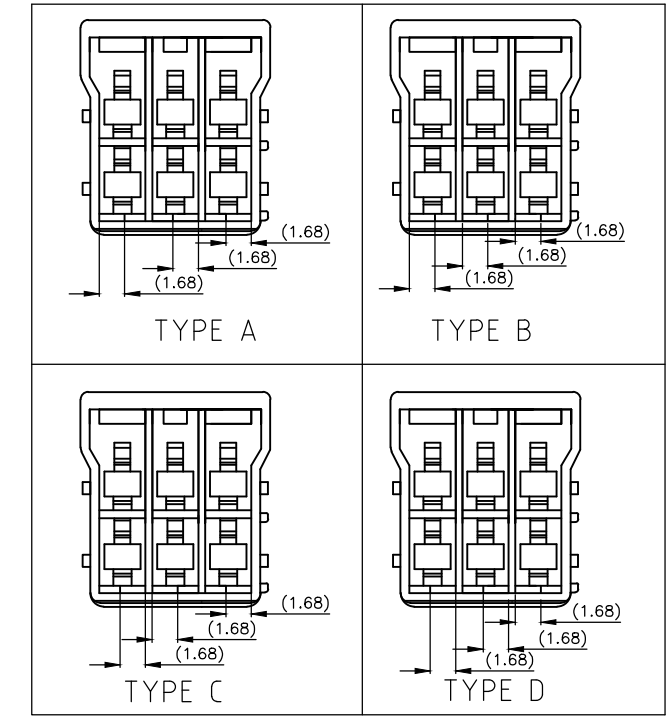
THIS DRAWING IS UNPUBLISHED. RELEASED FOR PUBLICATION  
 © COPYRIGHT - TE Connectivity Ltd. ALL RIGHTS RESERVED.

REVISIONS 変更					
P	LTR	DESCRIPTION	DATE	DWN	APVD
	A1	REVISED PER ECR-20-006615	08MAY2020	SC	D.Z



断面 A-A

KEYING TYPE



3-1565084-4	D	YELLOW	3-1565088-4
2-1565084-3	C	BLUE	2-1565088-3
1-1565084-2	B	RED	1-1565088-2
1565084-1	A	NATURAL	1565088-1
MATING HSG P/N	KEYING TYPE	COLOR	P/N

注) 1.一般公差:±0.25  
 △材料: 66ナイロン ガラス無 (UL94V-0)  
 △かん合相手製品型番  
 プラグハウジング: TABLE参照のこと  
 タブコンタクト: 1565080-1, 1612335-1  
 4. 適応プレート型番: 1565090-1

NOTES)  
 1. GENERAL TOLERANCE: ±0.25  
 △ MATERIAL: 66 NYLON NON-GLOSS FILLED (UL94V-0)  
 △ MATING CONN. P/N  
 PLUG HOUSING: SEE TABLE  
 TAB CONTACT ; 1565080-1, 1612335-1  
 4. APPLICABLE PLATE P/N : 1565090-1

THIS DRAWING IS A CONTROLLED DOCUMENT.	
DIMENSIONS: 単位: 耗 mm	TOLERANCES UNLESS OTHERWISE SPECIFIED: 一般公差
	0 PLC ± 1 PLC ± 2 PLC ± 3 PLC ± 4 PLC ± ANGLES ±
MATERIAL 材料 SEE NOTE 2	FINISH 仕上 -

DWN A.OISHI 30 MAY. '02	<b>STE</b> TE Connectivity	
CHK M.SHINDO 30 MAY. '02		
APVD M.SHINDO 30 MAY. '02	NAME 名称 GRACE INERTIA CONNECTOR 3.5 6POS CAP HOUSING(2ROW)	
PRODUCT SPEC 製品規格 108-5810	SIZE A3	
APPLICATION SPEC 取付適用規格 114-5306	CAGE CODE 00779	DRAWING NO 番号 C-1565088
WEIGHT -	RESTRICTED TO -	
CUSTOMER DRAWING		
SCALE 尺度 -	SHEET 1 OF 1	REV A1

## X-ON Electronics

Largest Supplier of Electrical and Electronic Components

*Click to view similar products for [Headers & Wire Housings](#) category:*

*Click to view products by [TE Connectivity](#) manufacturer:*

Other Similar products are found below :

[892-18-020-10-001101](#) [58102-G61-06LF](#) [582553-1](#) [0009485154](#) [009176003701906](#) [0050291907](#) [LY20-4P-DT1-P1E-BR](#) [02.125.8002.8](#)  
[609-3404](#) [61062-3](#) [61082-181009](#) [622-3653LF](#) [63453-116](#) [636-1030](#) [636-1427](#) [636-3427](#) [636-4007](#) [641938-9](#) [641991-4](#) [644827-2](#) [65817-](#)  
[010LF](#) [65817-015LF](#) [65863-015LF](#) [66207-023LF](#) [67095-007LF](#) [67601157](#) [68645-018](#) [68648-049](#) [70.362.1628.0](#) [70-4210](#) [70-4226B](#) [70-](#)  
[4853B](#) [707-5020](#) [707-5028](#) [71.350.2428.0](#) [71918-208LF](#) [71961-016LF](#) [733-134](#) [733-162](#) [754199-000](#) [760-3052](#) [79531-3000](#) [FCN-](#)  
[360C032-B](#) [FCN-367T-T012/H](#) [FCN-723D010/2](#) [80.063.4001.1](#) [800-90-010-10-002000](#) [801-43-002-10-013000](#) [801-43-006-10-002000](#)  
[801-93-011-10-001000](#)