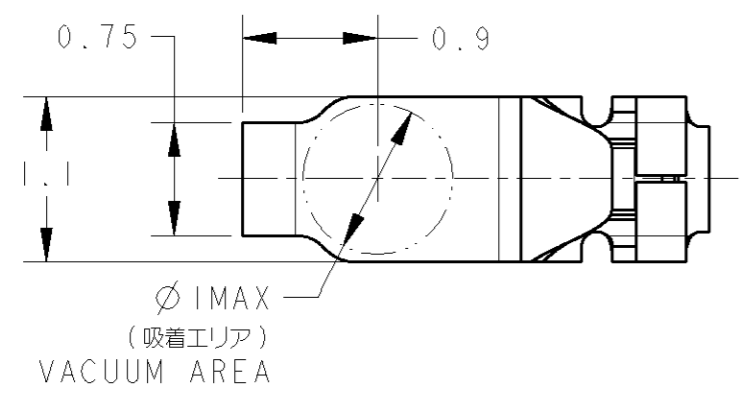
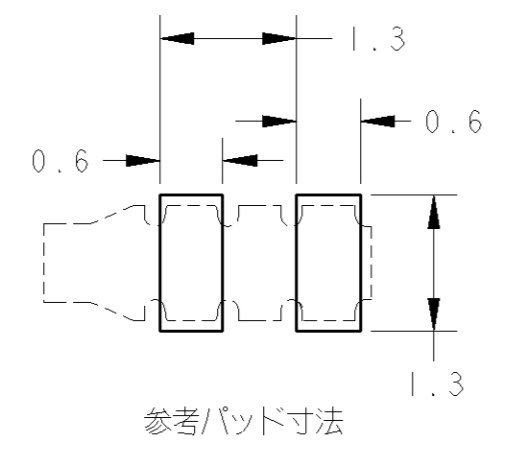
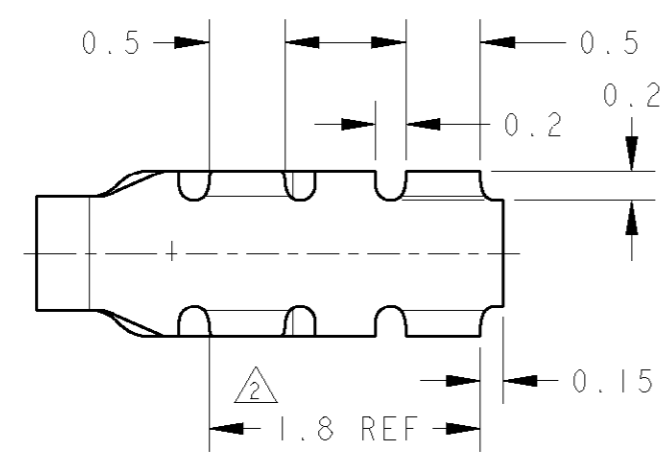
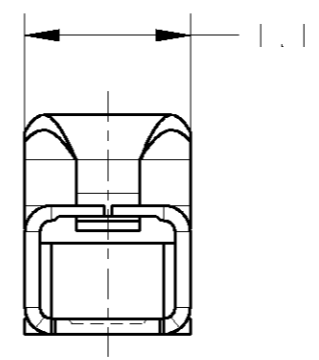
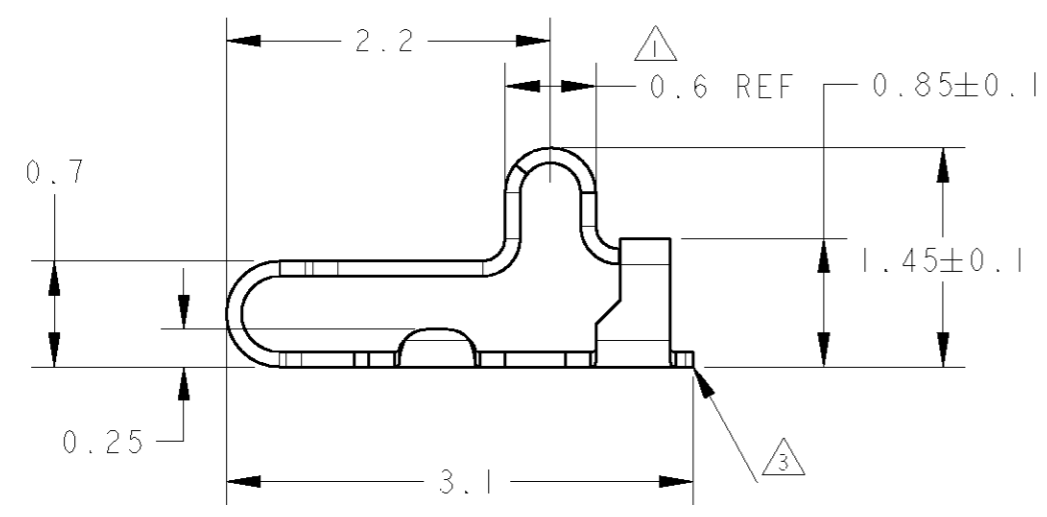


THIS DRAWING IS UNPUBLISHED. RELEASED FOR PUBLICATION 20
 © COPYRIGHT 20 BY TYCO ELECTRONICS CORPORATION. ALL RIGHTS RESERVED.

| LOC | DIST | REVISIONS | | | | | |
|-----|------|-----------|-----|---------------------------|-----------|-----|------|
| | | P | LTR | DESCRIPTION | DATE | DWN | APVD |
| J | - | 0 | | RELEASED EC: FJ00-1501-01 | 23AUG2001 | KT | KK |
| | | A | | REVISED FJ00-0543-02 | 11MAR2002 | KT | KK |



-1: 本図
 -1: AS SHOWN



メッキ仕様 (材料メッキ)
 Ni UNDER PLATING: 0.8μm MIN
 ① CONTACT POINT; Au 0.25~0.50μm
 ② SOLDERING AREA; Au 0.05μm MIN
 ③ カットバリ: 0.05MAX,
 その他全周バリ: 0.03MAX

FINISH (PLATED MATERIAL)
 Ni UNDER PLATING: 0.8μm MIN
 ① CONTACT POINT; Au 0.25~0.50μm
 ② SOLDERING AREA; Au 0.05μm MIN
 ③ CUTTING BURR: 0.05MAX,
 CIRCUMFERENCE BURRS: 0.03MAX

| | | | | |
|--|--|---------------------------------|--|--------------------|
| THIS DRAWING IS A CONTROLLED DOCUMENT FOR TYCO ELECTRONICS CORPORATION IT IS SUBJECT TO CHANGE AND THE CONTROLLING ENGINEERING ORGANIZATION SHOULD BE CONTACTED FOR THE LATEST REVISION. | | DWN K. TANAKA 29JUL2001 | Tyco Electronics AMP K.K. Kawasaki, Japan | |
| DIMENSIONS: mm | | CHK K. KODAIRA 23AUG2001 | | |
| TOLERANCES UNLESS OTHERWISE SPECIFIED: | | APVD K. KODAIRA 23AUG2001 | NAME SHIELD FINGER 1511 | |
| 0 PLC ±0.2 1 PLC ±0.2 2 PLC ±0.2 3 PLC ±0.2 4 PLC ±0.2 ANGLES ±2 | | PRODUCT SPEC 108-5785 | RESTRICTED TO | |
| MATERIAL - | | APPLICATION SPEC - | SIZE A3 | CAGE CODE 00779 |
| FINISH SEE NOTE | | WEIGHT - | DRAWING NO C=1565158 | |
| CUSTOMER DRAWING | | | SCALE 20:1 | SHEET 1 OF 2 |

4

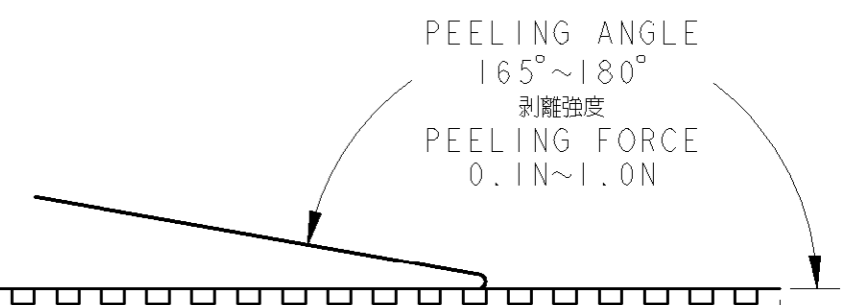
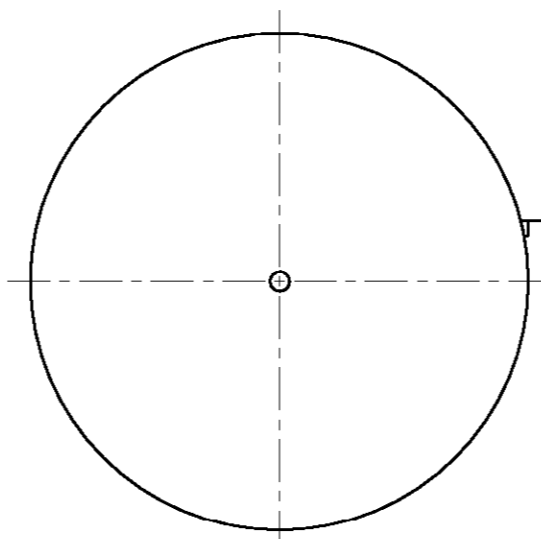
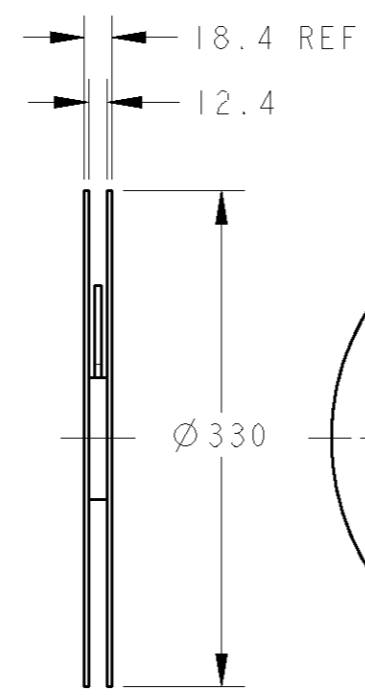
3

2

1

THIS DRAWING IS UNPUBLISHED. RELEASED FOR PUBLICATION 20
 © COPYRIGHT 20 BY TYCO ELECTRONICS CORPORATION. ALL RIGHTS RESERVED.

| LOC | DIST | REVISIONS | | | |
|-----|------|-------------|------|-----|------|
| P | LTR | DESCRIPTION | DATE | DWN | APVD |
| J | - | SEE SHEET 1 | - | - | - |
| | | | | | |
| | | | | | |

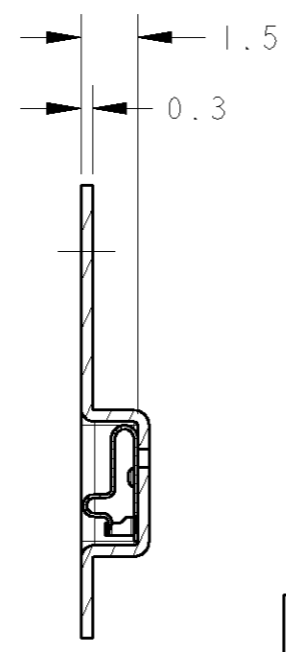
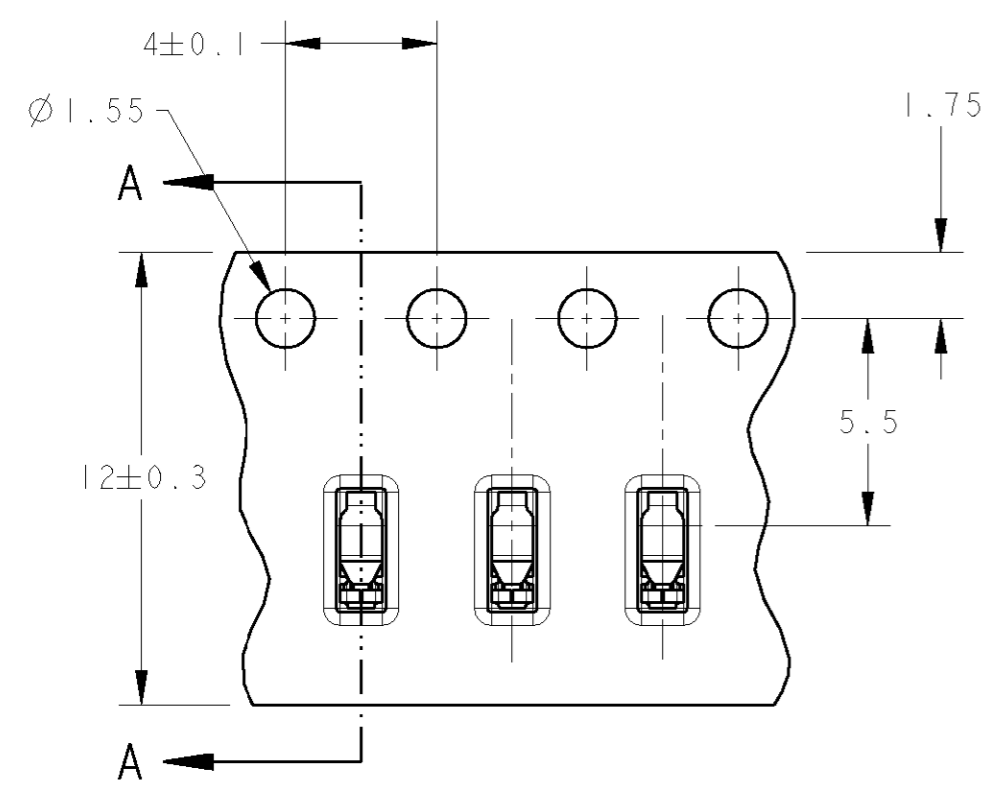


製品装填部
WITH PRODUCT CHARGE
5,000EA/REEL

トレーラ部
160mmMIN
WITHOUT CHARGE

300MIN
リーダ部 COVER TAPE
キャリアテープ空部: 100mm以上
WITHOUT CHARGE

→ DIRECTION OFF TOP OF REEL



断面 A-A

THIS DRAWING IS A CONTROLLED DOCUMENT FOR TYCO ELECTRONICS CORPORATION
 IT IS SUBJECT TO CHANGE AND THE CONTROLLING ENGINEERING ORGANIZATION
 SHOULD BE CONTACTED FOR THE LATEST REVISION.

| | | | |
|-------------------|------------|--|------------|
| DIMENSIONS: mm | | TOLERANCES UNLESS OTHERWISE SPECIFIED: | |
| | 0 PLC ±0.2 | 1 PLC ±0.2 | 2 PLC ±0.2 |
| | 3 PLC ±0.2 | 4 PLC ±0.2 | ANGLES ±2 |
| MATERIAL | FINISH | | |

| | |
|------------------|-------------|
| DWN | SEE SHEET 1 |
| CHK | |
| APVD | |
| PRODUCT SPEC | - |
| APPLICATION SPEC | - |
| WEIGHT | - |
| CUSTOMER DRAWING | |

| | | | |
|----------------------------|-----------|--|---------------|
| tyco Electronics | | Tyco Electronics AMP K.K. Kawasaki, Japan | |
| NAME SHIELD FINGER 1511 | | | |
| SIZE | CAGE CODE | DRAWING NO | RESTRICTED TO |
| A3 | 00779 | C-1565158 | - |
| SCALE 20:1 | | SHEET 2 OF 2 | REV A |

X-ON Electronics

Largest Supplier of Electrical and Electronic Components

Click to view similar products for [EMI Gaskets, Sheets, Absorbers & Shielding](#) category:

Click to view products by [TE Connectivity](#) manufacturer:

Other Similar products are found below :

[8101010140](#) [8563-0090-89](#) [1194-7.7X10](#) [1245-34"X18YD](#) [1267](#) [1345-3/8x18yrd](#) [1380-2"X8"](#) [1554907-1](#) [2320002000](#) [2320014700](#)
[SG293037DS](#) [ST005PCN50](#) [55005107](#) [38M4040AA0606](#) [46J5N02020.NN00](#) [1125-8X10](#) [1126X1"](#) [1170-3/4X18YDS](#) [1170-7.7x10](#) [1183-](#)
[12"X18YD](#) [6-34T-BD-0.315](#) [SG125187D-24](#) [SG125250R-24](#) [SG187375R-24](#) [SG284050DS](#) [8402010540](#) [KIT TECH CLIP](#) [1194](#) [10-40450-](#)
[28S](#) [1245](#) [1267-1/2"x18yd](#) [46J8501020.NN00](#) [1170-1/4"x18yd](#) [AL-36FR-1x54.5](#) [3013310A](#) [1194X1"](#) [3020604](#) [3021302](#) [3031313](#) [260709](#)
[3021310](#) [6-34UT-070-BD-16](#) [303076048](#) [46J5N03020.NN00](#) [30206025](#) [30395641](#) [3030403](#) [3690103020](#) [HNY-LT15CU4241](#) [1170-](#)
[3/8"x18yd](#)