

4

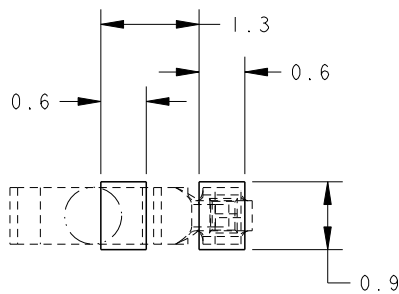
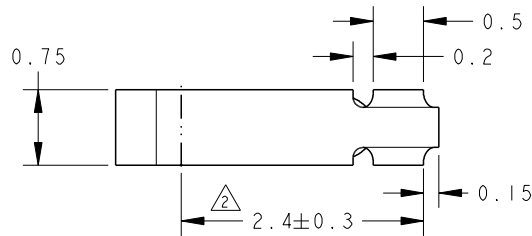
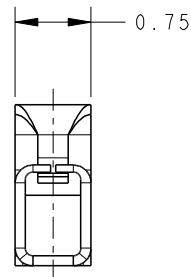
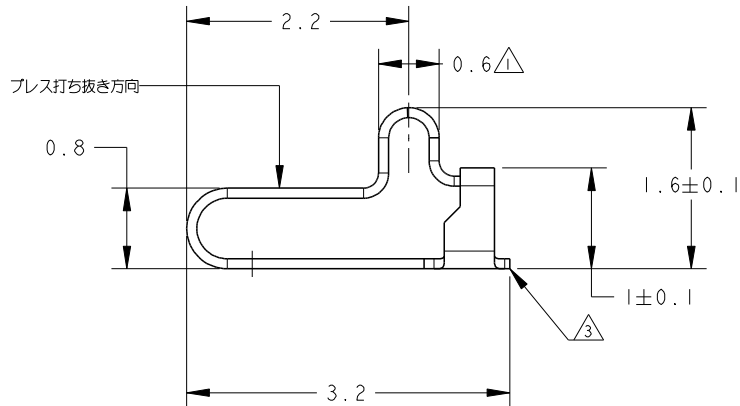
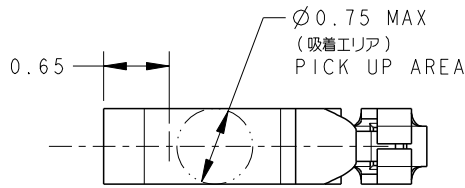
3

2

1

THIS DRAWING IS UNPUBLISHED. RELEASED FOR PUBLICATION 2001
© COPYRIGHT 2001 BY TYCO ELECTRONICS CORPORATION. ALL RIGHTS RESERVED.

LOC		DIST		REVISIONS		
P	LTR	DESCRIPTION		DATE	DWN	APVD
	C1	REVISED ECR-16-017382		11APR2017	J. J	W. H



参考パッド寸法
SCALE 15:1

- △1 めっき仕様 (材料めっき)
Ni UNDER PLATING: 0.8μm MIN
CONTACT POINT; Au 0.25~0.50μm
SOLDERING AREA; Au 0.05μm MIN
- △2 カットバリ: 0.05 MAX,
- △3 その他全周バリ: 0.03 MAX
- 4 ドライバック およびベーキングは不用のこと

- △1 FINISH (PLATED MATERIAL)
Ni UNDER PLATING: 0.8μm MIN
CONTACT POINT; Au 0.25~0.50μm
SOLDERING AREA; Au 0.05μm MIN
- △2 CUTTING BURR: 0.05 MAX,
- △3 CIRCUMFERENCE BURRS: 0.03 MAX
- 4 DISUSED PACKAGING MATERIAL: DRYPACK AND BAKING PROCESS
- 5 PART NUMBER : 1565322-1

THIS DRAWING IS A CONTROLLED DOCUMENT FOR TYCO ELECTRONICS CORPORATION IT IS SUBJECT TO CHANGE AND THE CONTROLLING ENGINEERING ORGANIZATION SHOULD BE CONTACTED FOR THE LATEST REVISION.		DWN K. TANAKA 23AUG2001	Tyco Electronics Corporation Kawasaki, Japan	
DIMENSIONS: 単位: 丸 mm		CHK K. KODAIRA 23AUG2001	NAME SHIELD FINGER 1608	
TOLERANCES UNLESS OTHERWISE SPECIFIED: 一般公差 0 PLC ±0.2 1 PLC ±0.2 2 PLC ±0.2 3 PLC ±0.2 4 PLC ±0.2 ANGLES ±2°		APVD K. KODAIRA 23AUG2001	APPLICATION SPEC 108-5786	
MATERIAL 材料		FINISH 仕上	WEIGHT A300779	DRAWING NO C=1565322
SEE NOTE		RESTRICTED CUSTOMER	SCALE R 20:1	SHEET 1 OF 2 REV C1

4

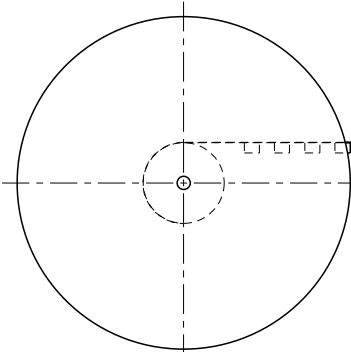
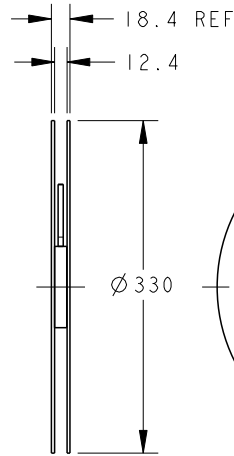
3

2

1

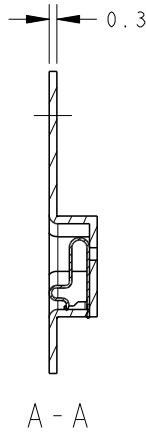
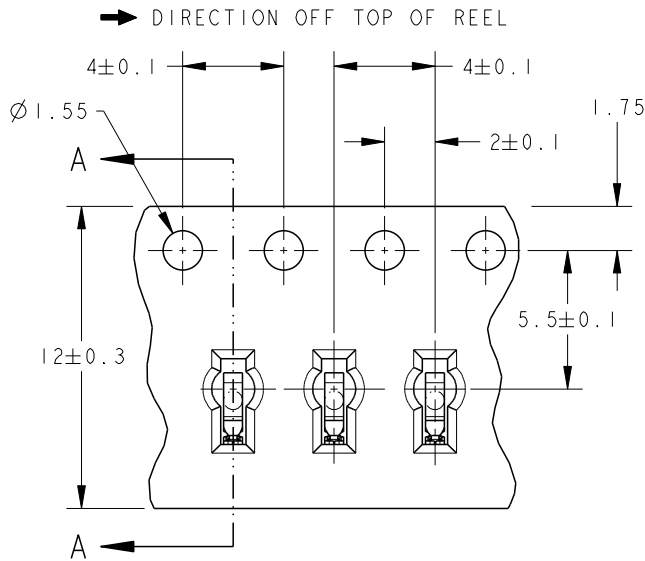
THIS DRAWING IS UNPUBLISHED. RELEASED FOR PUBLICATION 2001
© COPYRIGHT 2001 BY TYCO ELECTRONICS CORPORATION. ALL RIGHTS RESERVED.

LOC	DIST	REVISIONS			
P	LTR	DESCRIPTION	DATE	DWN	APVD
J		SEE SHEET 1	-	-	-



PEELING ANGLE: 165°~180°
剥離強度
PEELING FORCE: 0.1N~1.0N
WEEDING THE COVER TAPE: 300 MIN
(INCLUDED EMPTINESS POCKET)

トレーラ部 160mm MIN WITHOUT CHARGE
製品装填部 欠品無きこと WITH PRODUCT CHARGE
NO STOCK-OUT IN POCKET 5,000EA/REEL
キャリアテープ空部: 400mm以上 WITHOUT CHARGE



THIS DRAWING IS A CONTROLLED DOCUMENT FOR TYCO ELECTRONICS CORPORATION. IT IS SUBJECT TO CHANGE, AND THE CONTROLLING ENGINEERING ORGANIZATION SHOULD BE CONTACTED FOR THE LATEST REVISION.

DIMENSIONS: mm	TOLERANCES UNLESS OTHERWISE SPECIFIED: 0 PLC ±0.2 1 PLC ±0.2 2 PLC ±0.2 3 PLC ±0.2 4 PLC ±0.2 ANGLES ±2°
MATERIAL	FINISH

DWN	CHK	APVD	PRODUCT SPEC	APPLICATION SPEC	WEIGHT	RESTRICTED CUSTOMER
Tyco Electronics Corporation Kawasaki, Japan NAME: SHIELD FINGER 1608 SIZE: A3 CAGE CODE: 00779 DRAWING NO: C-1565322 RESTRICTED TO:						
SCALE: 20:1 SHEET: 2 OF 2 REV: C1						

X-ON Electronics

Largest Supplier of Electrical and Electronic Components

Click to view similar products for [EMI Gaskets, Sheets, Absorbers & Shielding](#) category:

Click to view products by [TE Connectivity](#) manufacturer:

Other Similar products are found below :

[8101010140](#) [8563-0090-89](#) [1194-7.7X10](#) [1245-34"X18YD](#) [1267](#) [1345-3/8x18yrd](#) [1554907-1](#) [2320002000](#) [2320014700](#) [SG293037DS](#)
[ST005PCN50](#) [55005107](#) [38M4040AA0606](#) [46J5N02020.NN00](#) [1125-8X10](#) [1126X1"](#) [1170-3/4X18YDS](#) [1170-7.7x10](#) [1183-12"X18YD](#) [6-](#)
[34T-BD-0.315](#) [SG125187D-24](#) [SG125250R-24](#) [SG187375R-24](#) [SG284050DS](#) [8402010540](#) [KIT TECH CLIP](#) [10-40450-28S](#) [1245](#) [1267-](#)
[1/2"x18yd](#) [46J8501020.NN00](#) [1170-1/4"x18yd](#) [AL-36FR-1x54.5](#) [3013310A](#) [1194X1"](#) [3020604](#) [3021302](#) [3031313](#) [260709](#) [3021310](#) [6-](#)
[34UT-070-BD-16](#) [303076048](#) [46J5N03020.NN00](#) [30206025](#) [30395641](#) [3030403](#) [3690103020](#) [HNY-LT15CU4241](#) [46X7503020.NN00](#)
[46W5E02520.NN00](#) [302095032](#)