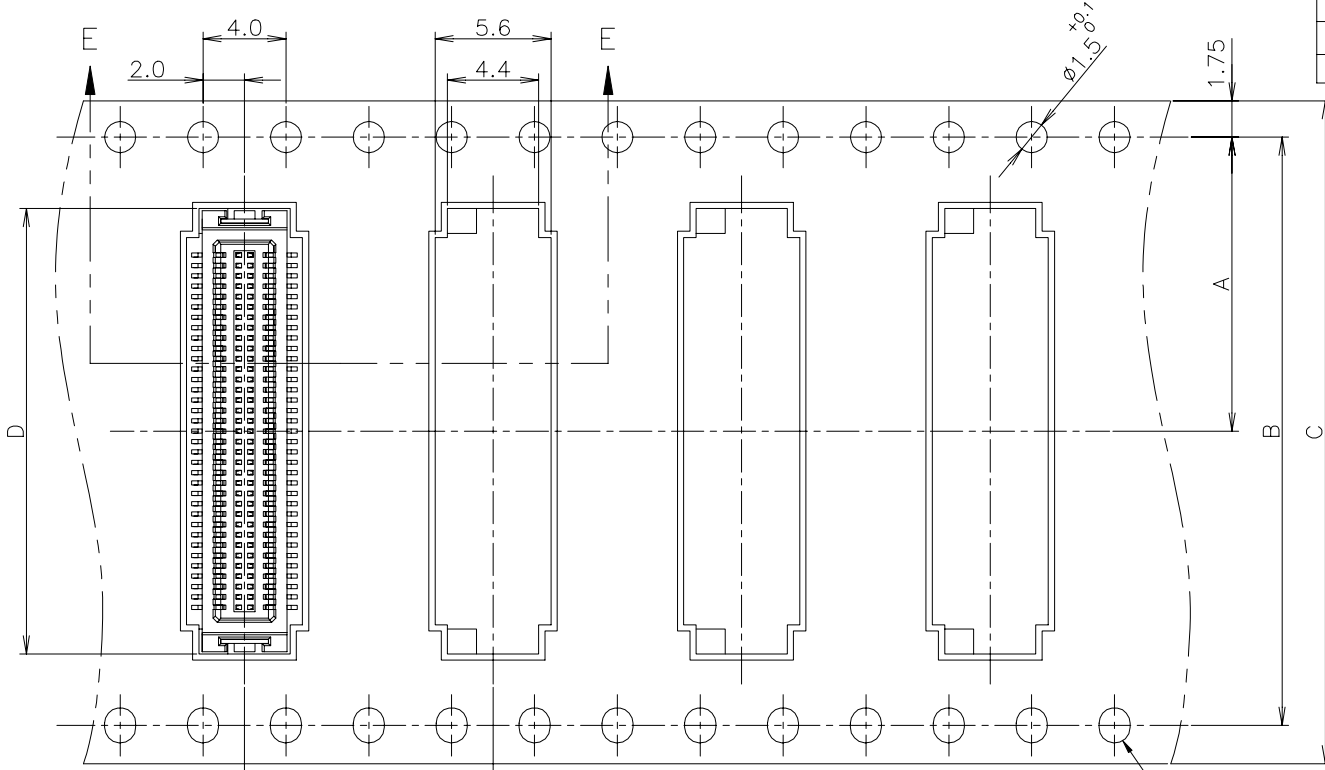


REVISIONS

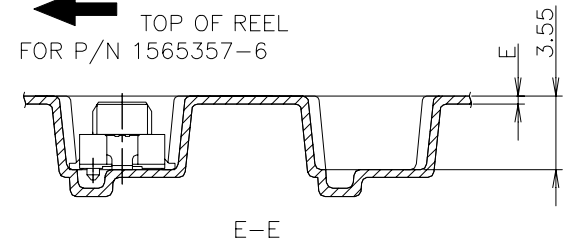
P	LTR	DESCRIPTION	DATE	DWN	APVD
		変更			
C		ECR-20-007705:CORRECT REELING DIRECTION	1JUNE2020	A.L	H.L
B1		REVISED PER ECO-17-015614	16OCT2017	R.L	H.L



PACKAGE WITHOUT MYLAR

引出し方向
TOP OF REEL
FOR P/N 1565357-1,-3,-4,-5,-9,
5-1565357-3,5-1565357-5

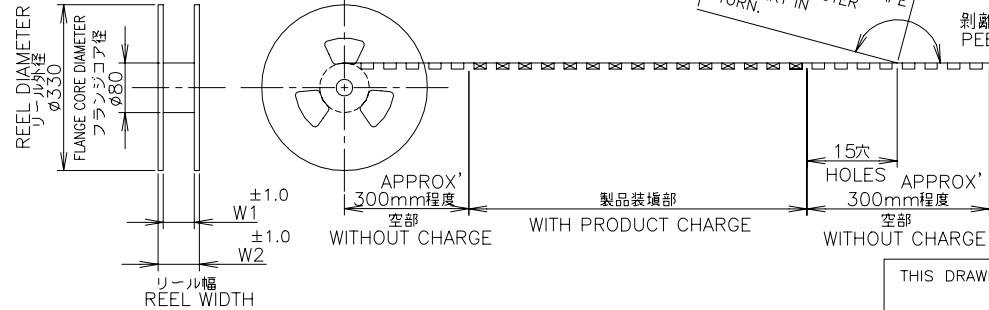
引出し方向
TOP OF REEL
FOR P/N 1565357-6



P/N 1565357-6 & -9
have no oval sprocket holes

カバーテープ
リーダー部
外周一巻
WEEDING THE COVER TAPE
AROUND THE OUTER
PERIPHERY IN
A TURN.

剥離角度、165°~180°
PEELING ANGLE.



THIS DRAWING IS A CONTROLLED DOCUMENT.

DIMENSIONS:	TOLERANCES UNLESS OTHERWISE SPECIFIED:
単位: 耗 MM	一般公差
	0 PLC ± 0.3
	1 PLC ± 0.3
	2 PLC ± 0.3
	3 PLC ± 0.3
	4 PLC ± 0.3
	ANGLES ± 3'

MATERIAL
材料

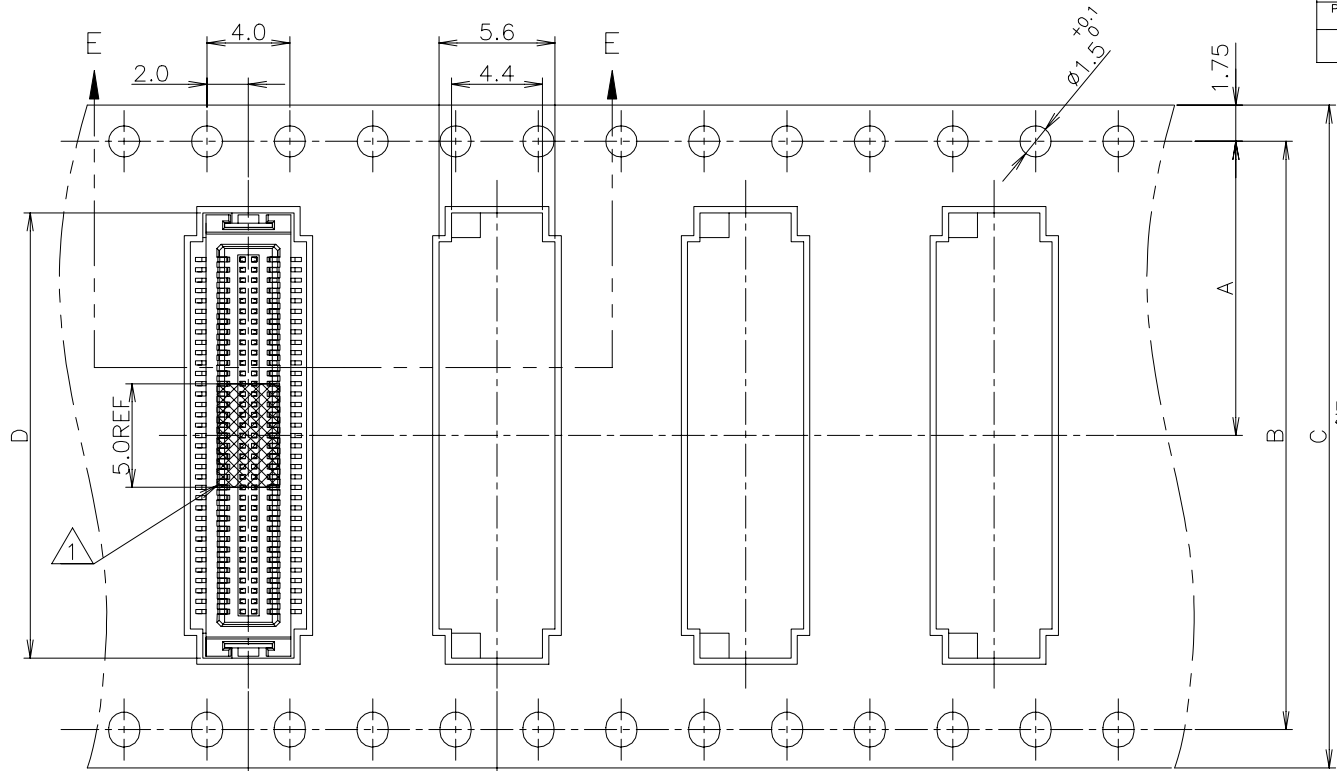
FINISH
仕上

INSTRUCTION SHEET 取扱説明書 411-5808	WIRE RANGE 包含電線断面積	INSULATION DIA 被覆外径
DWN Y.NAKAZAWA 23APR04	CHK T.KUSUHARA 23APR04	APVD H.MURAMATSU 23APR04
PRODUCT SPEC 製品規格 108-5496		APPLICATION SPEC 取付適用規格
WEIGHT 0		SIZE A3
CUSTOMER DRAWING		CAGE CODE 00779
DRAWING NO 番号 C=1565357		RESTRICTED TO
SCALE 尺度 4:1		SHEET 1 OF 3
REV C		



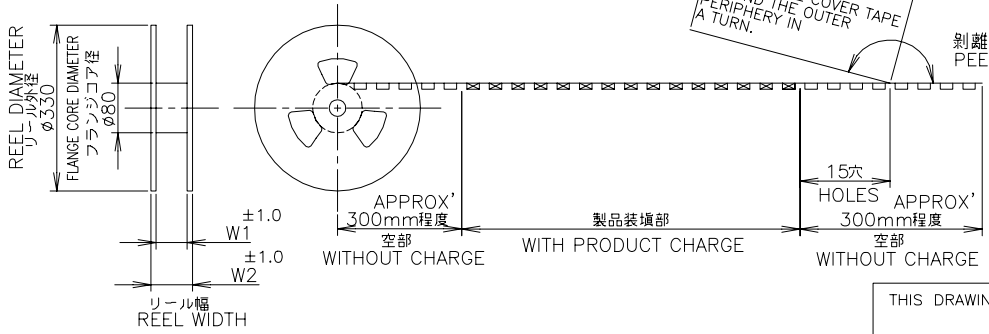
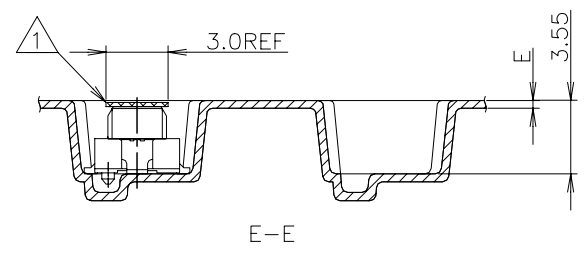
ON TAPING (EMBOSS)
0.5mm PITCH FINE MATE CONN.
RECEPTACLE ASSEMBLY

REVISIONS					
P	LTR	DESCRIPTION	DATE	DWN	APVD
-	-	SEE SHEET 1	-	-	-



PACKAGE WITH MYLAR

引出し方向
TOP OF REEL →



剥離角度、165°~180°
PEELING ANGLE.

カバーテープ
リーダー部
外周巻
WEEDING THE COVER TAPE
AROUND THE OUTER
PERIPHERY IN
A TURN.

NOTES:

① POLYIMIDE TAPE FOR PICK AND PLACE.

FOR P/N 1-1565357-1

THIS DRAWING IS A CONTROLLED DOCUMENT.

DIMENSIONS:	TOLERANCES UNLESS OTHERWISE SPECIFIED:
単位: 耗	一般公差
MM	
0 PLC	± 0.3
1 PLC	± 0.3
2 PLC	± 0.3
3 PLC	± 0.3
4 PLC	± 0.3
ANGLES	± 3°
FINISH	仕上

INSTRUCTION SHEET 取扱説明書	WIRE RANGE 包含電線断面積	INSULATION DIA 被覆外径
DWN	TE Connectivity Ltd.	
CHK		
APVD	NAME 名称	RESTRICTED TO
PRODUCT SPEC 製品規格	ON TAPING (EMBOSS) 0.5mm PITCH FINE MATE CONN. RECEPTACLE ASSEMBLY	
APPLICATION SPEC 取付適用規格	SIZE A3	DRAWING NO 番号 C=1565357
WEIGHT	CAGE CODE 00779	SCALE 尺度 4:1
CUSTOMER DRAWING	SHEET 2 OF 3	REV C

REVISIONS					
變更					
P	LTR	DESCRIPTION	DATE	DWN	APVD
-		SEE SHEET 1	-	-	-

BOSS	MYLAR	DIMENSIONS								QTY/ REEL	POS	CONNECTOR P/N	TAPING P/N
		W2	W1	E	D	C	B	A					
OBSOLETE	WITH BOSS												
	WITHOUT MYLAR												
		37.5	33.5	0.4	19.1	32	28.4	14.2	1000	60	5-1565358-5	5-1565357-5	
		50.5	45.5	0.4	24	44	40.4	20.2	1000	80	5-1565358-3	5-1565357-3	
OBSOLETE	WITH BOSS												
	WITHOUT MYLAR												
		49.5	45.5	0.38	29.1	44	40.4	20.2	1000	100	1-1565358-1	1-1565357-1	
		20.2	17.5	0.4	9.1	16	+-	7.5	1000	20	1565358-9	1565357-9	
OBSOLETE	WITH BOSS												
	WITHOUT MYLAR												
		29.5	25.5	0.38	16.6	24	+-	11.5	1000	50	1565358-6	1565357-6	
		37.5	33.5	0.38	19.1	32	28.4	14.2	1000	60	1565358-5	1565357-5	
OBSOLETE	WITH BOSS												
	WITHOUT MYLAR												
		37.5	33.5	0.4	21.9	32	28.4	14.2	1000	70	1565358-4	1565357-4	
		50.5	45.5	0.4	24	44	40.4	20.2	1000	80	1565358-3	1565357-3	
BOSS	MYLAR												
		49.5	45.5	0.38	29.1	44	40.4	20.2	1000	100	1565358-1	1565357-1	

THIS DRAWING IS A CONTROLLED DOCUMENT.

DIMENSIONS: 單位：耗 MM	TOLERANCES UNLESS OTHERWISE SPECIFIED: 一般公差
	0 PLC ± 0.3
	1 PLC ± 0.3
	2 PLC ± 0.3
	3 PLC ± 0.3
MATERIAL 材料	FINISH 仕上
	4 PLC ± 0.3
	ANGLES ± 3'

INSTRUCTION SHEET 取扱説明書	WIRE RANGE 包含電線斷面積	INSULATION DIA 被覆外径
DWN	TE Connectivity Ltd.	
CHK	ON TAPING (EMBOSS) 0.5mm PITCH FINE MATE CONN. RECEPTACLE ASSEMBLY	
APVD	NAME 名稱	RESTRICTED TO
PRODUCT SPEC 製品規格	DRAWING NO 番号	
APPLICATION SPEC 取付適用規格	SIZE A3	CAGE CODE 00779
WEIGHT	G=1565357	
CUSTOMER DRAWING	SCALE 尺度 4:1	SHEET 3 OF 3
		REV C

X-ON Electronics

Largest Supplier of Electrical and Electronic Components

Click to view similar products for [Board to Board & Mezzanine Connectors](#) category:

Click to view products by [TE Connectivity](#) manufacturer:

Other Similar products are found below :

[589158040000018](#) [MDF7C-18P-2.54DSA\(55\)](#) [FCN-230C068-11](#) [FCN-268F012-G/BD](#) [FCN-268F036-G/BD](#) [FCN-268M012-G/0D](#) [FCN-268M024-G/1D](#) [FCN-723J004/1](#) [MIS-048-01-F-D-DP-K](#) [832-10-034-10-001000](#) [FX4C-80S-1.27DSA](#) [FCN-214Q030-G/0](#) [FCN-234P048-G/0](#) [FCN-235D050-G/C](#) [210-93-314-41-105000](#) [2-22603-0](#) [MDF7-40DP-2.54DSA\(55\)](#) [AXG720047](#) [5031084030](#) [MIT-114-03-F-D-K](#) [55323-1519](#) [DF33-2P-3.3DSA\(24\)](#) [YFT-20-05-H-03-SB-K](#) [503308-3040](#) [026-6203-PDB](#) [027-6203-PDB](#) [069159702701000](#) [10123981-102LF](#) [101A10019X](#) [55650-0588-C](#) [68684-306](#) [75140-7012](#) [194261-1](#) [FCN-268F024-G0D](#) [10124054-515LF](#) [68685-603](#) [8-1616154-3](#) [MIS-019-01-F-D](#) [541371078](#) [IL-WX-10PB-HF-B-E1000E](#) [FCN-268M024-G/3D](#) [20021832-06016C1LF](#) [KX15-20KLDL-E1000E](#) [MDF7-16DP-2.54DSA\(55\)](#) [AXE810124](#) [FCN-214J100-G/0](#) [FCN-230C068-E/S](#) [AXE812124](#) [AXE816124](#) [AXE720127](#)