

THIS DRAWING IS UNPUBLISHED.

RELEASED FOR PUBLICATION . APR 2004

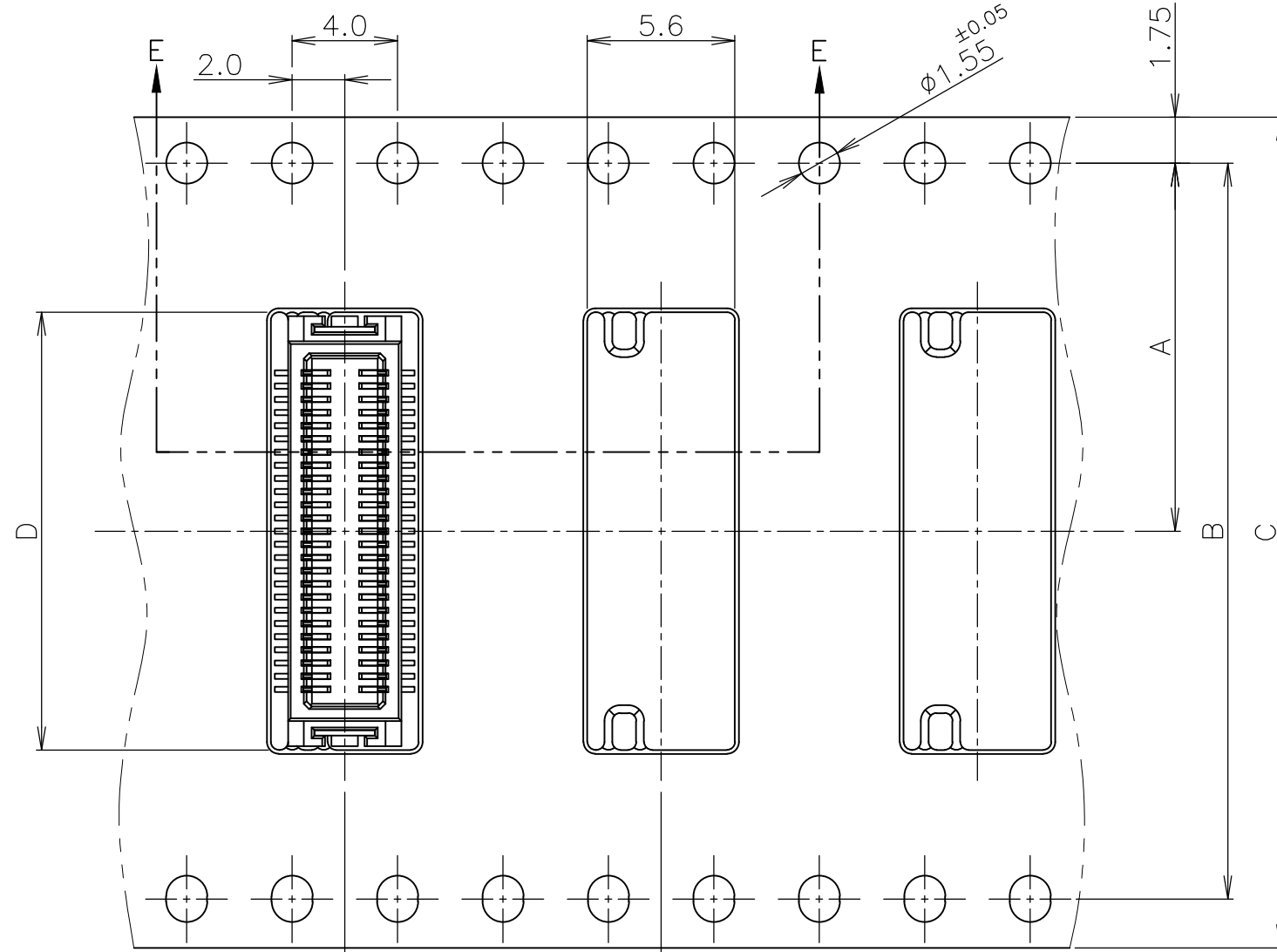
© COPYRIGHT 2004 By -

ALL RIGHTS RESERVED.

REVISIONS

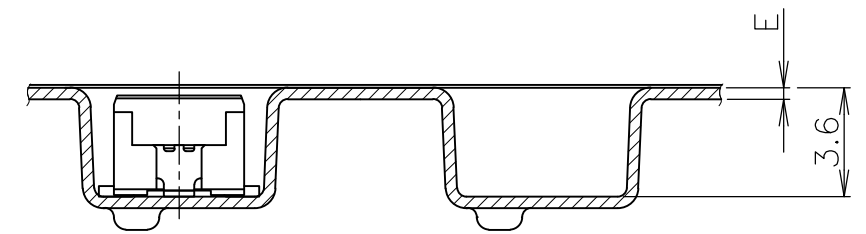
変更

| P | LTR | DESCRIPTION                | DATE    | DWN | APVD |
|---|-----|----------------------------|---------|-----|------|
|   | A2  | RELEASED PER ECR-12-001064 | 09DEC11 | J.J | Y.S  |
|   | A3  | REVISED PER ECO-17-015619  | 17OCT17 | R.L | H.L  |



テープ幅  
TAPE WIDTH

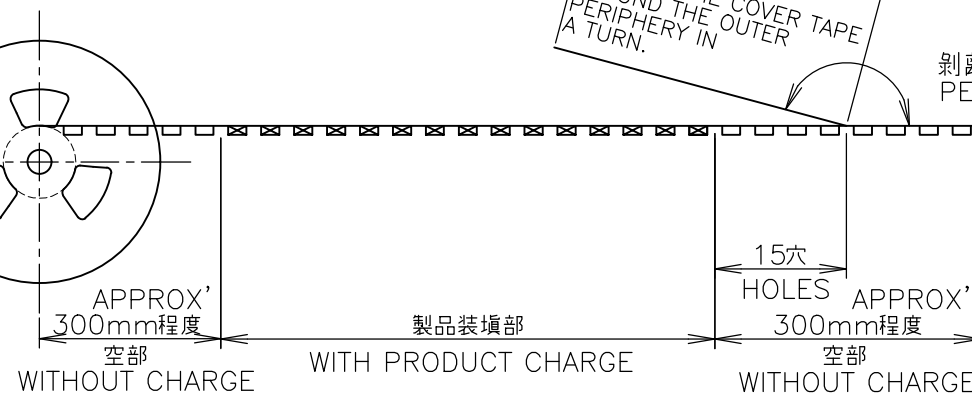
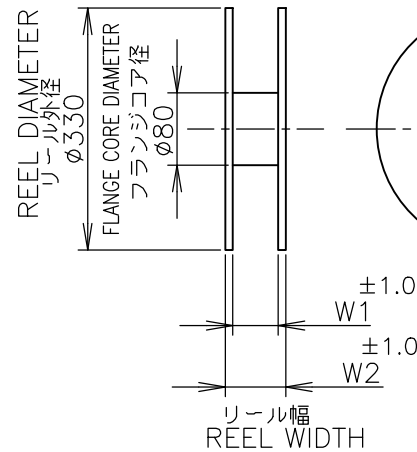
引出し方向  
TOP OF REEL



E-E

カバーテープ  
リーダー部  
外周一巻  
WEEDING THE COVER TAPE  
AROUND THE OUTER  
PERIPHERY IN  
A TURN.

剥離角度、165°~180°  
PEELING ANGLE.

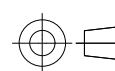


FOR P/N \*-1,-3,-5,-9,  
5-\*-3,

THIS DRAWING IS A CONTROLLED DOCUMENT.

DIMENSIONS:  
単位: 耗  
MM

TOLERANCES UNLESS  
OTHERWISE SPECIFIED:  
一般公差



|        |       |
|--------|-------|
| 0 PLC  | ± 0.3 |
| 1 PLC  | ± 0.3 |
| 2 PLC  | ± 0.3 |
| 3 PLC  | ± 0.3 |
| 4 PLC  | ± 0.3 |
| ANGLES | ± 3°  |

MATERIAL  
材料

FINISH  
仕上

INSTRUCTION SHEET  
取扱説明書  
411-5808

WIRE RANGE  
抱合電線断面積

INSULATION DIA  
被覆外径

DWN  
Y.NAKAZAWA  
23APR04

CHK  
T.KUSUHARA  
23APR04

APVD  
H.MURAMATSU  
23APR04

PRODUCT SPEC  
製品規格  
108-5496

APPLICATION SPEC  
取付適用規格

WEIGHT

ON TAPING (EMBOSS)  
0.5mm PITCH FINE MATE CONN.  
TAB ASSEMBLY (V-TYPE) (H=4.5)

STE TE Connectivity

NAME  
名称

SIZE  
A3

CAGE CODE  
00779

DRAWING NO  
番号  
C-1565359

RESTRICTED TO

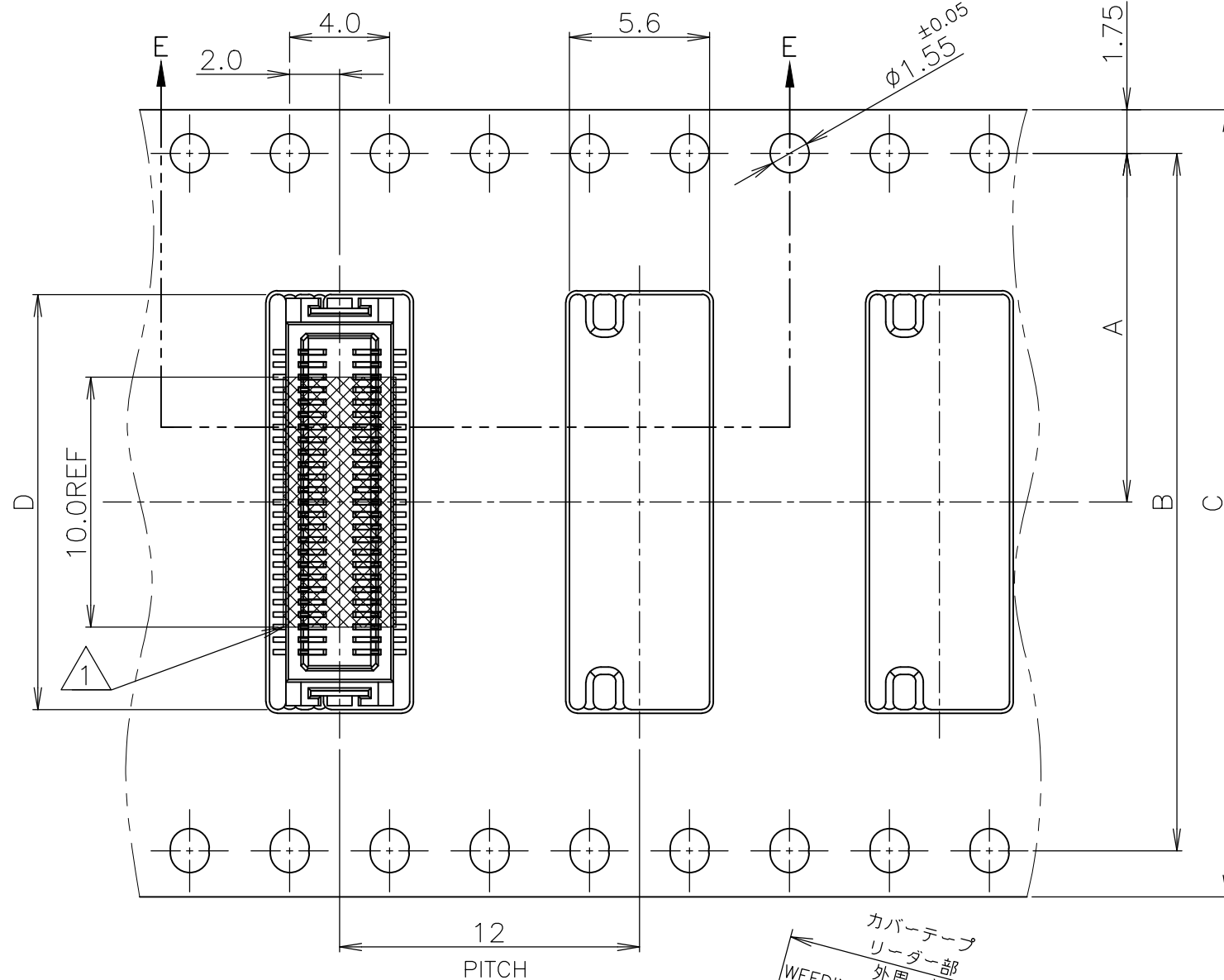
CUSTOMER DRAWING

SCALE  
尺度  
4:1

SHEET  
1 OF 3

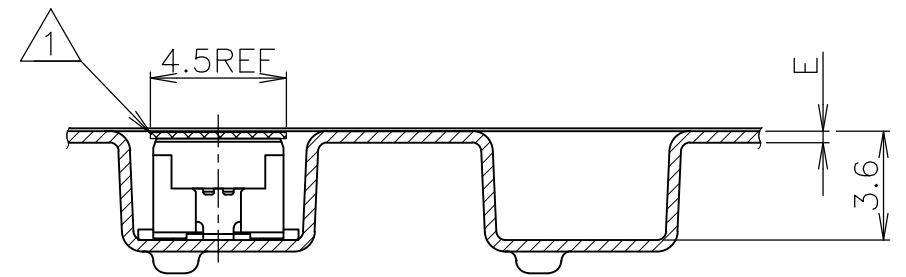
REV  
A3

| P | LTR | DESCRIPTION | DATE | DWN | APVD |
|---|-----|-------------|------|-----|------|
| - | -   | SEE SHEET 1 | -    | -   | -    |



テープ幅  
TAPE WIDTH

引出し方向  
TOP OF REEL



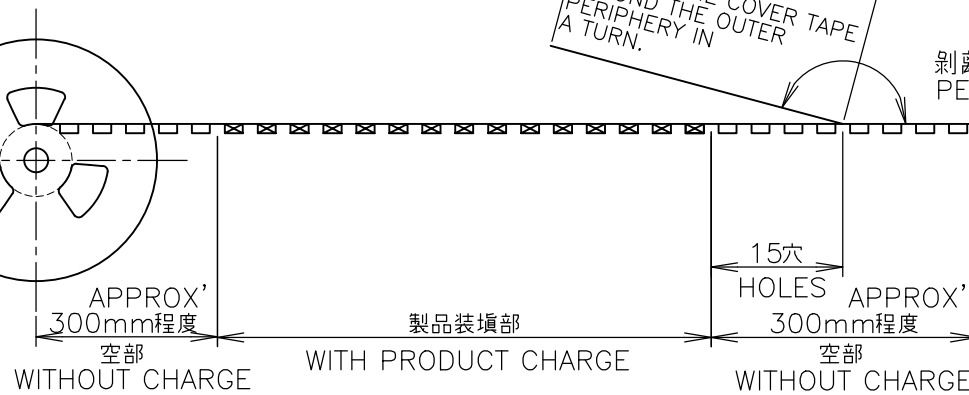
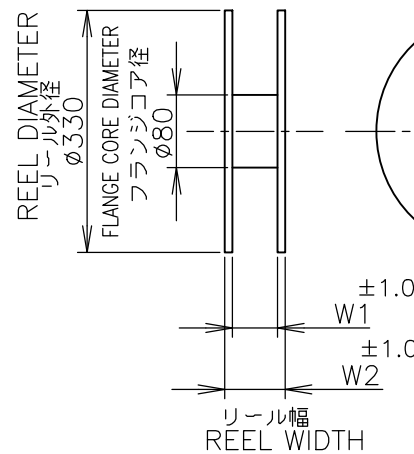
E-E

カバーテープ  
リーダー部  
外周一巻  
WEEDING THE COVER TAPE  
AROUND THE OUTER  
PERIPHERY IN  
A TURN.

剝離角度、165°~180°  
PEELING ANGLE.

NOTES:

1 POLYIMIDE TAPE FOR PICK AND PLACE.



FOR P/N 1-\*-\*1

THIS DRAWING IS A CONTROLLED DOCUMENT.

|                            |   |
|----------------------------|---|
| DIMENSIONS:<br>単位: 耗<br>MM | TOLERANCES UNLESS<br>OTHERWISE SPECIFIED:<br>一般公差 |
| 0 PLC                      | ± 0.3   |
| 1 PLC                      | ± 0.3   |
| 2 PLC                      | ± 0.3   |
| 3 PLC                      | ± 0.3   |
| 4 PLC                      | ± 0.3   |
| ANGLES                     | ± 3°  |
| MATERIAL<br>材料             | FINISH<br>仕上                                      |

|                            |  |                        |
|----------------------------|--|------------------------|
| INSTRUCTION SHEET<br>取扱説明書 | WIRE RANGE<br>抱合電線断面積  | INSULATION DIA<br>被覆外径 |
| DWN                        | TE Connectivity  |                        |
| CHK                        |  |                        |
| APVD                       | NAME<br>名称   |                        |
| PRODUCT SPEC<br>製品規格       | ON TAPING (EMBOSS)<br>0.5mm PITCH FINE MATE CONN.<br>TAB ASSEMBLY (V-TYPE) (H=4.5) |                        |
| APPLICATION SPEC<br>取付適用規格 | SIZE   | CAGE CODE              |
| WEIGHT                     | A3   | 00779                  |
| CUSTOMER DRAWING           | DRAWING NO<br>番号   | RESTRICTED TO          |
|                            | C-1565359  |                        |
|                            | SCALE<br>尺度 4:1  | SHEET<br>2 OF 3        |
|                            |  | REV<br>A3              |

THIS DRAWING IS UNPUBLISHED.

RELEASED FOR PUBLICATION , .APR 2004

© COPYRIGHT 2004 By -

ALL RIGHTS RESERVED.

REVISIONS

変更

| P | LTR | DESCRIPTION | DATE | DWN | APVD |
|---|-----|-------------|------|-----|------|
| - | -   | SEE SHEET 1 | -    | -   | -    |

| BOSS         | MYLAR         | DIMENSIONS |      |      |      |    |      |      |      |     |             | QTY/<br>REEL | POS | CONNECTOR<br>P/N | TAPING<br>P/N |
|--------------|---------------|------------|------|------|------|----|------|------|------|-----|-------------|--------------|-----|------------------|---------------|
|              |               | W2         | W1   | E    | D    | C  | B    | A    |      |     |             |              |     |                  |               |
| WITHOUT BOSS | WITH MYLAR    | 49.5       | 45.5 | 0.38 | 29.1 | 44 | 40.4 | 20.2 | 1000 | 100 | 1-1565360-1 | 1-1565359-1  |     |                  |               |
|              | WITHOUT MYLAR | 20.2       | 17.5 | 0.4  | 9.1  | 16 | +-   | 7.5  | 1000 | 20  | 1565360-9   | 1565359-9    |     |                  |               |
|              | WITHOUT MYLAR | 36.7       | 33.5 | 0.4  | 19.1 | 32 | 28.4 | 14.2 | 1000 | 60  | 1565360-5   | 1565359-5    |     |                  |               |
|              | WITHOUT MYLAR | 50.5       | 45.5 | 0.4  | 24.1 | 44 | 40.4 | 20.2 | 1000 | 80  | 1565360-3   | 1565359-3    |     |                  |               |
| WITH BOSS    | WITHOUT MYLAR | 50.5       | 45.5 | 0.4  | 24.1 | 44 | 40.4 | 20.2 | 1000 | 80  | 5-1565360-3 | 5-1565359-3  |     |                  |               |
|              | WITHOUT MYLAR | 49.5       | 45.5 | 0.38 | 29.1 | 44 | 40.4 | 20.2 | 1000 | 100 | 1565360-1   | 1565359-1    |     |                  |               |

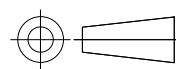
A3 OBSOLETE

A3 OBSOLETE

THIS DRAWING IS A CONTROLLED DOCUMENT.

DIMENSIONS:  
單位: 耗  
MM

TOLERANCES UNLESS  
OTHERWISE SPECIFIED:  
一般公差



- 0 PLC ± 0.3
- 1 PLC ± 0.3
- 2 PLC ± 0.3
- 3 PLC ± 0.3
- 4 PLC ± 0.3
- ANGLES ± 3'

MATERIAL  
材料

FINISH  
仕上

INSTRUCTION SHEET  
取扱説明書

WIRE RANGE  
包含電線斷面積

INSULATION DIA  
被覆外径

DWN -

CHK -

APVD -

PRODUCT SPEC  
製品規格

APPLICATION SPEC  
取付適用規格

WEIGHT 0



ON TAPING (EMBOSS)  
0.5mm PITCH FINE MATE CONN.  
TAB ASSEMBLY (V-TYPE) (H=4.5)

SIZE A3 CAGE CODE 00779 DRAWING NO 1565359 RESTRICTED TO -

CUSTOMER DRAWING SCALE 4:1 SHEET 3 OF 3 REV A3

## X-ON Electronics

Largest Supplier of Electrical and Electronic Components

*Click to view similar products for [Board to Board & Mezzanine Connectors](#) category:*

*Click to view products by [TE Connectivity](#) manufacturer:*

Other Similar products are found below :

[10135583-642402LF](#) [89885-310LF](#) [589158040000018](#) [6-1393048-0](#) [68683-613](#) [MDF7-12DP-2.54DSA](#) [MDF7-18P-2.54DSA\(01\)](#) [MDF7-20DP-2.54DSA](#) [MDF7-26D-2.54DSA\(55\)](#) [MDF7-3P-2.54DSA\(01\)](#) [MDF7B-20P-2.54DSA\(01\)](#) [MDF7B-3P-2.54DSA\(55\)](#) [MDF7C-18P-2.54DSA\(55\)](#) [MDF7P-5P-2.54DSA\(55\)](#) [75234-0516](#) [FCN-230C068-11](#) [FCN-268F012-G/BD](#) [FCN-268F036-G/BD](#) [FCN-268M012-G/0D](#) [FCN-268M024-G/1D](#) [FCN-360C008-C](#) [FCN-723J004/1](#) [MIS-048-01-F-D-DP-K](#) [832-10-034-10-001000](#) [93696-325LF](#) [11828-1FA](#) [AXK630345P](#) [18097-0013](#) [2007042-2](#) [304400-2](#) [FCN-214Q030-G/0](#) [FCN-215Q040-G/0](#) [FCN-230C068-ESA](#) [FCN-234P048-G/0](#) [FCN-235D050-G/C](#) [FCN-360A3](#) [FCN-360C040-B](#) [210-93-314-41-105000](#) [2-22603-0](#) [379-064-521-202](#) [MDF7-12P-2.54DSA\(01\)](#) [MDF7-16P-2.54DS\(56\)](#) [MDF7-16P-2.54DSA\(55\)](#) [MDF7-40DP-2.54DSA\(55\)](#) [MDF7-8P-2.54DSA\(55\)](#) [AXG720047](#) [5031084030](#) [55323-1519](#) [DF33-2P-3.3DSA\(24\)](#) [DF33-2S-3.3C](#)