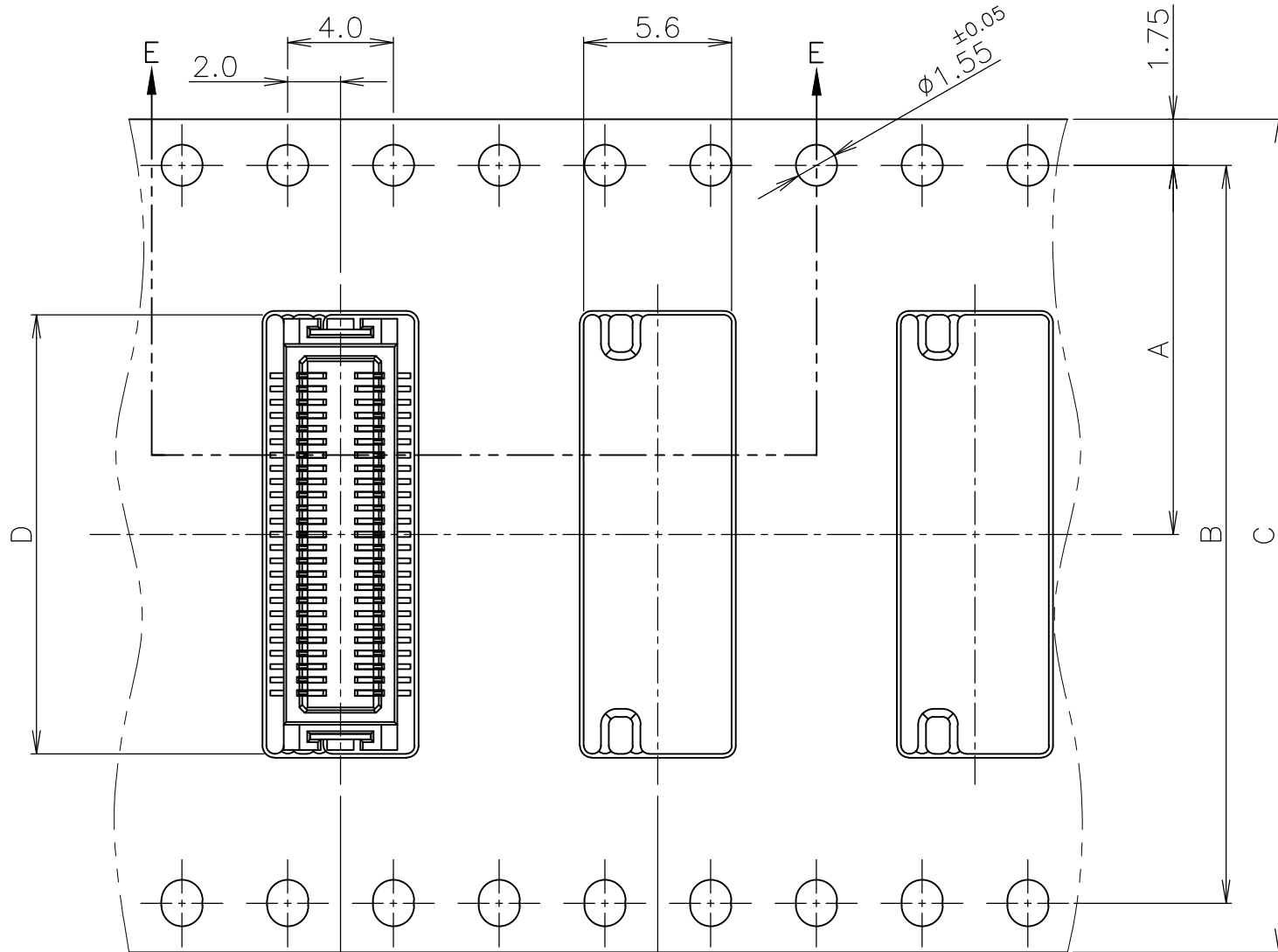
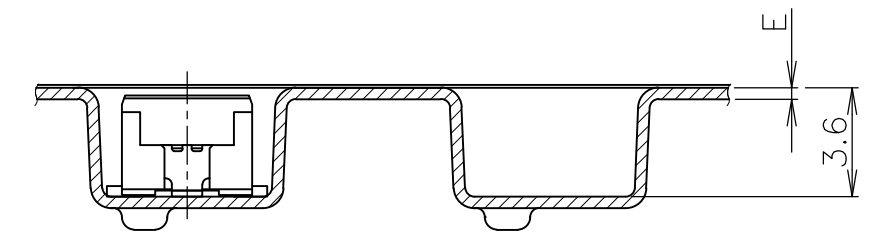


P	LTR	DESCRIPTION	DATE	DWN	APVD
	A2	RELEASED PER ECR-12-001064	09DEC11	J.J	Y.S
	A3	REVISED PER ECO-17-015619	17OCT17	R.L	H.L



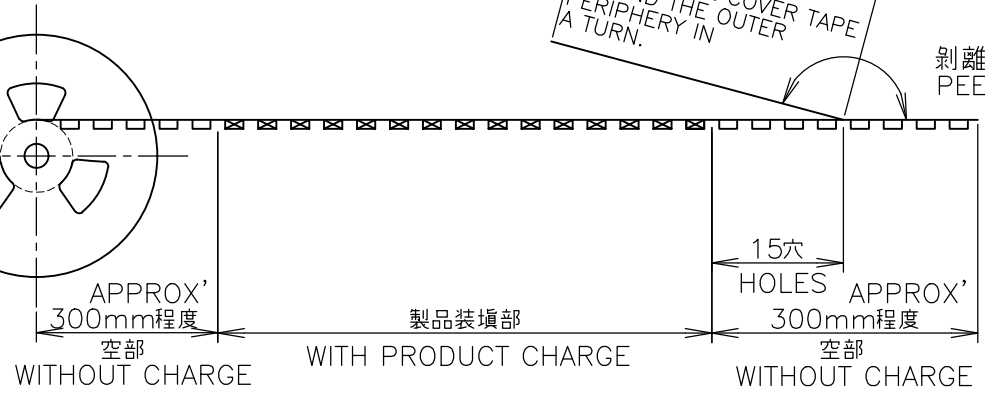
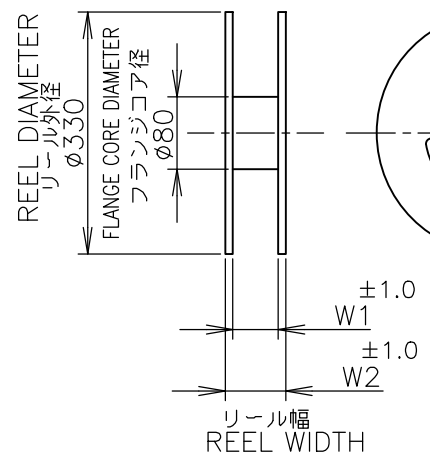
テープ幅  
TAPE WIDTH



引出し方向  
TOP OF REEL  
➔

カバーテープ  
リーダー部  
外周一巻  
WEEDING THE COVER TAPE  
AROUND THE OUTER  
PERIPHERY IN  
A TURN.


剥離角度、165°~180°  
PEELING ANGLE.



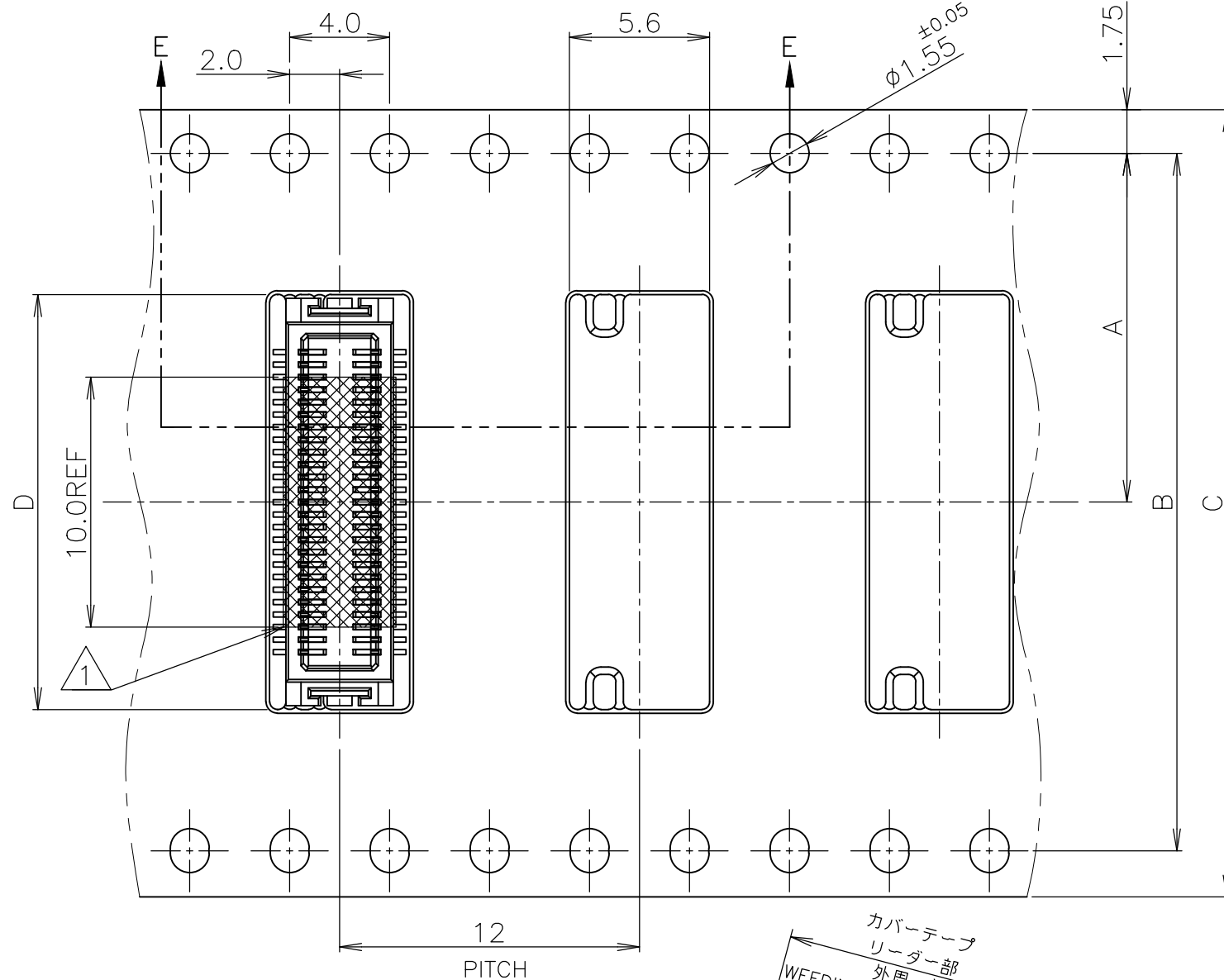
FOR P/N \*-1,-3,-5,-9,  
5-\*-3,

THIS DRAWING IS A CONTROLLED DOCUMENT.

DIMENSIONS: 単位: 耗 MM	TOLERANCES UNLESS OTHERWISE SPECIFIED: 一般公差
0 PLC	± 0.3
1 PLC	± 0.3
2 PLC	± 0.3
3 PLC	± 0.3
4 PLC	± 0.3
ANGLES	± 3°
MATERIAL 材料	FINISH 仕上

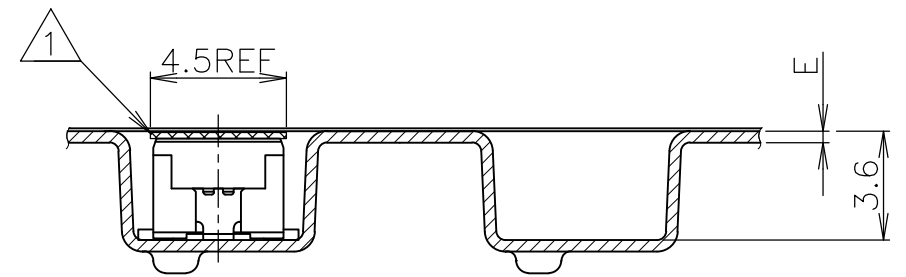
INSTRUCTION SHEET 取扱説明書 411-5808	WIRE RANGE 抱合電線断面積	INSULATION DIA 被覆外径
DWN Y.NAKAZAWA 23APR04	 TE Connectivity	
CHK T.KUSUHARA 23APR04		
APVD H.MURAMATSU 23APR04	NAME 名称	
PRODUCT SPEC 製品規格 108-5496	ON TAPING (EMBOSS) 0.5mm PITCH FINE MATE CONN. TAB ASSEMBLY (V-TYPE) (H=4.5)	
APPLICATION SPEC 取付適用規格	SIZE A3	CAGE CODE 00779
WEIGHT	DRAWING NO 番号 C-1565359	RESTRICTED TO
CUSTOMER DRAWING	SCALE 尺度 4:1	SHEET 1 OF 3
		REV A3

P	LTR	DESCRIPTION	DATE	DWN	APVD
-	-	SEE SHEET 1	-	-	-



テープ幅  
TAPE WIDTH

引出し方向  
TOP OF REEL



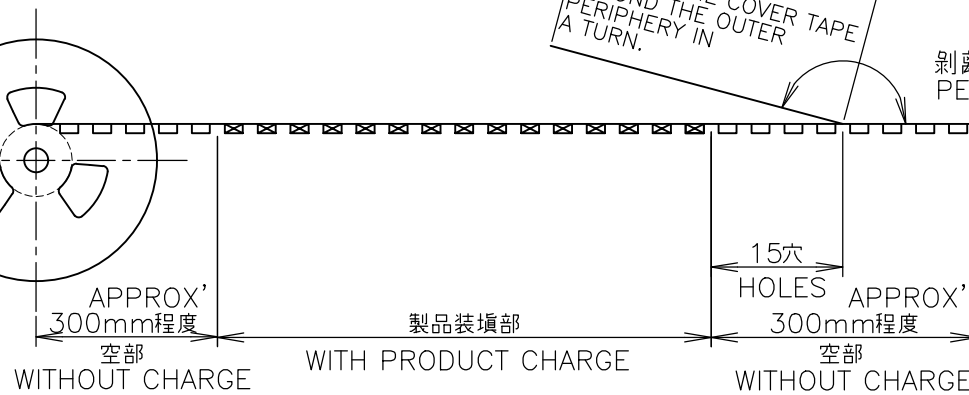
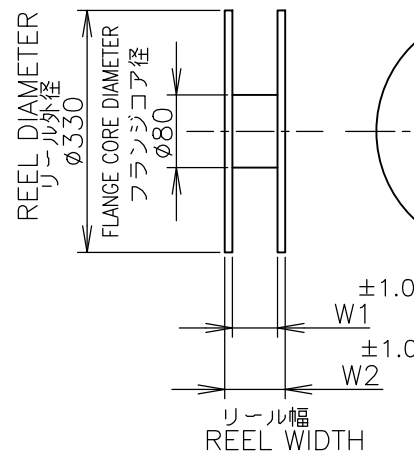
E-E

カバーテープ  
リーダー部  
外周一巻  
WEEDING THE COVER TAPE  
AROUND THE OUTER  
PERIPHERY IN  
A TURN.

剥離角度、 $165^{\circ} \sim 180^{\circ}$   
PEELING ANGLE.

NOTES:

1 POLYIMIDE TAPE FOR PICK AND PLACE.



FOR P/N 1-\*-\*1

THIS DRAWING IS A CONTROLLED DOCUMENT.

DIMENSIONS: 単位: 耗 MM	TOLERANCES UNLESS OTHERWISE SPECIFIED: 一般公差
	0 PLC ± 0.3
	1 PLC ± 0.3
	2 PLC ± 0.3
	3 PLC ± 0.3
	4 PLC ± 0.3
	ANGLES ± 3'
MATERIAL 材料	FINISH 仕上

INSTRUCTION SHEET 取扱説明書	WIRE RANGE 抱合電線断面積	INSULATION DIA 被覆外径
DWN	<b>STE</b> TE Connectivity	
CHK		
APVD	NAME 名称	
PRODUCT SPEC 製品規格	ON TAPING (EMBOSS) 0.5mm PITCH FINE MATE CONN. TAB ASSEMBLY (V-TYPE) (H=4.5)	
APPLICATION SPEC 取付適用規格	SIZE	CAGE CODE
WEIGHT	A3	00779
CUSTOMER DRAWING	DRAWING NO 番号	RESTRICTED TO
	C-1565359	
	SCALE 尺度 4:1	SHEET 2 OF 3
		REV A3

THIS DRAWING IS UNPUBLISHED.

RELEASED FOR PUBLICATION , .APR 2004

© COPYRIGHT 2004 By -

ALL RIGHTS RESERVED.

REVISIONS

変更

P	LTR	DESCRIPTION	DATE	DWN	APVD
-	-	SEE SHEET 1	-	-	-

BOSS	MYLAR	DIMENSIONS										QTY/ REEL	POS	CONNECTOR P/N	TAPING P/N
		W2	W1	E	D	C	B	A							
WITHOUT BOSS	WITH MYLAR	49.5	45.5	0.38	29.1	44	40.4	20.2	1000	100	1-1565360-1	1-1565359-1			
	WITHOUT MYLAR	20.2	17.5	0.4	9.1	16	+-	7.5	1000	20	1565360-9	1565359-9			
WITHOUT BOSS	WITH MYLAR	49.5	45.5	0.38	29.1	44	40.4	20.2	1000	100	1565360-1	1565359-1			
	WITHOUT MYLAR	36.7	33.5	0.4	19.1	32	28.4	14.2	1000	60	1565360-5	1565359-5			
WITH BOSS	WITH MYLAR	50.5	45.5	0.4	24.1	44	40.4	20.2	1000	80	1565360-3	1565359-3			
	WITHOUT MYLAR	50.5	45.5	0.4	24.1	44	40.4	20.2	1000	80	1565360-3	1565359-3			

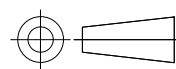
A3 OBSOLETE

A3 OBSOLETE

THIS DRAWING IS A CONTROLLED DOCUMENT.

DIMENSIONS:  
単位: 耗  
MM

TOLERANCES UNLESS  
OTHERWISE SPECIFIED:  
一般公差



- 0 PLC ± 0.3
- 1 PLC ± 0.3
- 2 PLC ± 0.3
- 3 PLC ± 0.3
- 4 PLC ± 0.3
- ANGLES ± 3'

MATERIAL  
材料

FINISH  
仕上

INSTRUCTION SHEET  
取扱説明書

WIRE RANGE  
抱合電線断面積

INSULATION DIA  
被覆外径

DWN -

CHK -

APVD -

PRODUCT SPEC  
製品規格

APPLICATION SPEC  
取付適用規格

WEIGHT 0



ON TAPING (EMBOSS)  
0.5mm PITCH FINE MATE CONN.  
TAB ASSEMBLY (V-TYPE) (H=4.5)

SIZE A3 CAGE CODE 00779 DRAWING NO 1565359 RESTRICTED TO -

CUSTOMER DRAWING SCALE 4:1 SHEET 3 OF 3 REV A3

## X-ON Electronics

Largest Supplier of Electrical and Electronic Components

*Click to view similar products for [Board to Board & Mezzanine Connectors](#) category:*

*Click to view products by [TE Connectivity](#) manufacturer:*

Other Similar products are found below :

[10135583-642402LF](#) [89885-310LF](#) [589158040000018](#) [6-1393048-0](#) [68683-613](#) [MDF7-12DP-2.54DSA](#) [MDF7-18P-2.54DSA\(01\)](#) [MDF7-20DP-2.54DSA](#) [MDF7-26D-2.54DSA\(55\)](#) [MDF7-3P-2.54DSA\(01\)](#) [MDF7B-20P-2.54DSA\(01\)](#) [MDF7B-3P-2.54DSA\(55\)](#) [MDF7C-18P-2.54DSA\(55\)](#) [MDF7P-5P-2.54DSA\(55\)](#) [75234-0516](#) [FCN-230C068-11](#) [FCN-268F012-G/BD](#) [FCN-268F036-G/BD](#) [FCN-268M012-G/0D](#) [FCN-268M024-G/1D](#) [FCN-360C008-C](#) [FCN-723J004/1](#) [MIS-048-01-F-D-DP-K](#) [832-10-034-10-001000](#) [93696-325LF](#) [11828-1FA](#) [AXK630345P](#) [18097-0013](#) [2007042-2](#) [304400-2](#) [FCN-214Q030-G/0](#) [FCN-215Q040-G/0](#) [FCN-230C068-ESA](#) [FCN-234P048-G/0](#) [FCN-235D050-G/C](#) [FCN-360A3](#) [FCN-360C040-B](#) [210-93-314-41-105000](#) [2-22603-0](#) [379-064-521-202](#) [MDF7-12P-2.54DSA\(01\)](#) [MDF7-16P-2.54DS\(56\)](#) [MDF7-16P-2.54DSA\(55\)](#) [MDF7-40DP-2.54DSA\(55\)](#) [MDF7-8P-2.54DSA\(55\)](#) [AXG720047](#) [5031084030](#) [55323-1519](#) [DF33-2P-3.3DSA\(24\)](#) [DF33-2S-3.3C](#)