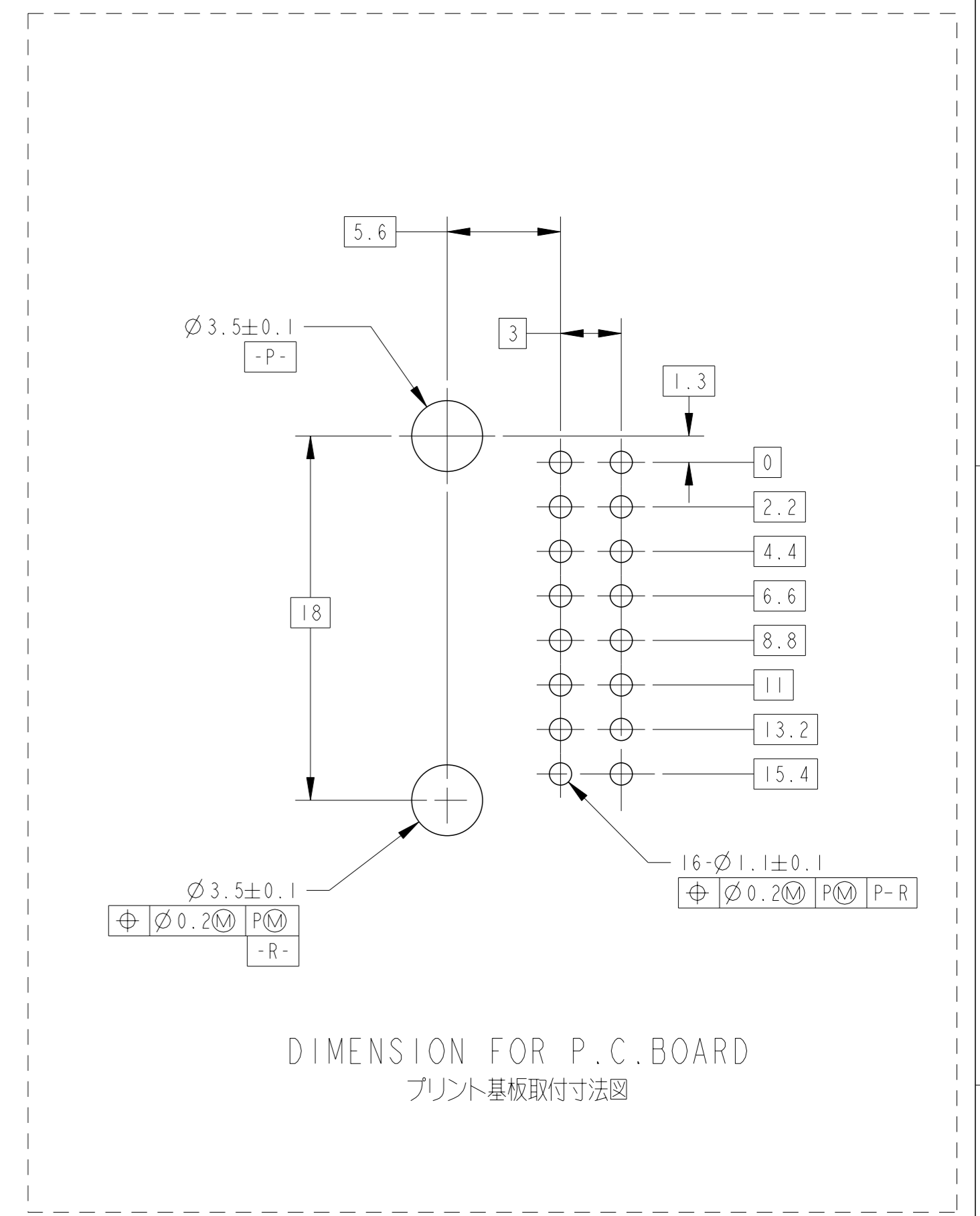
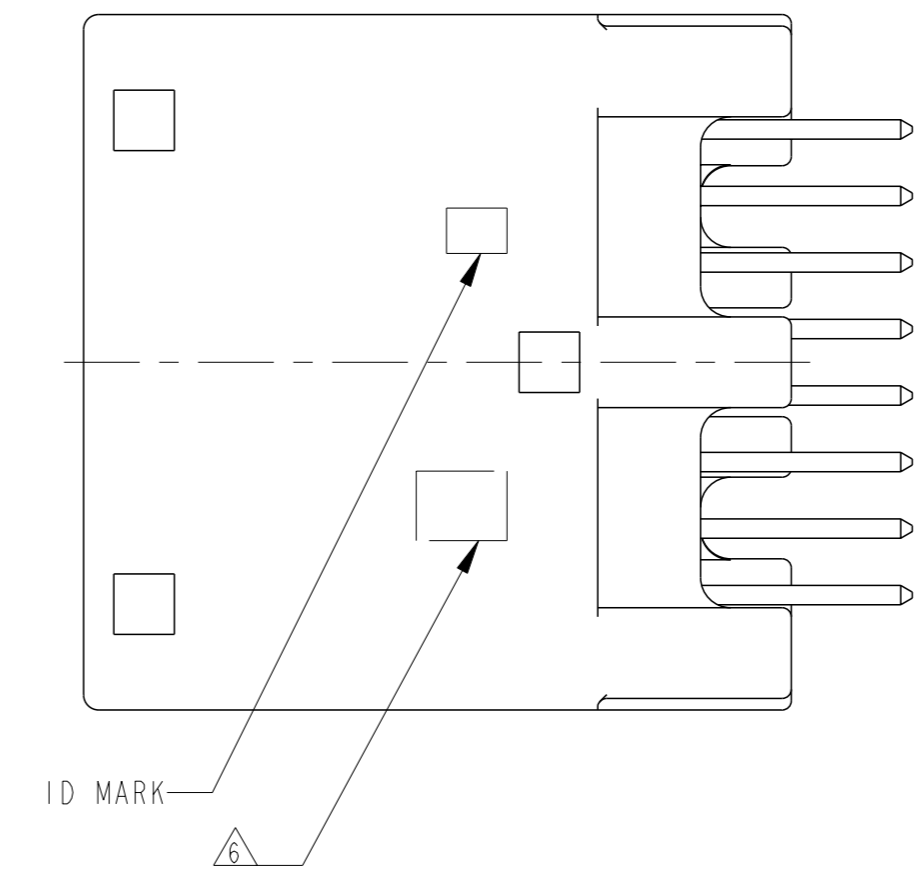
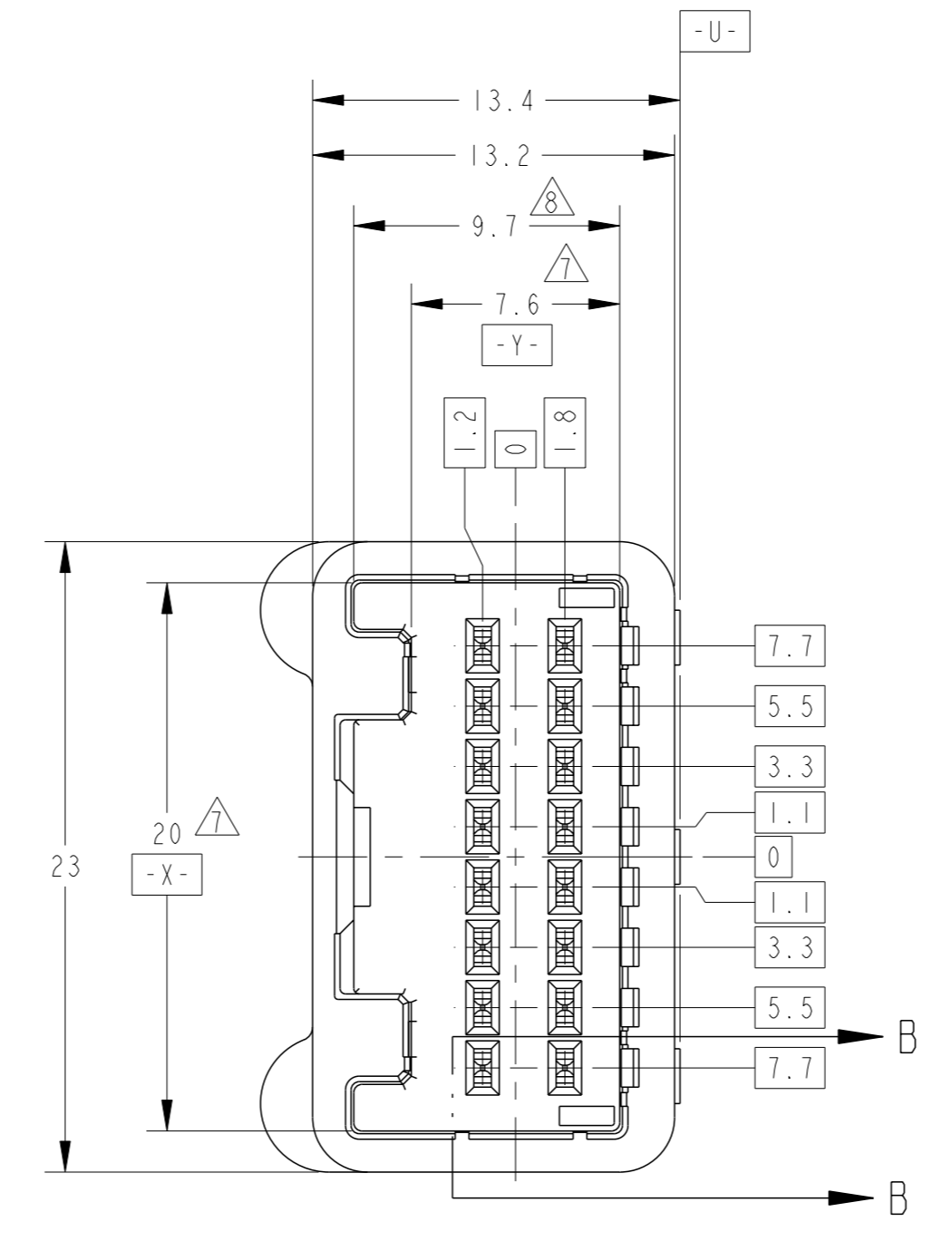
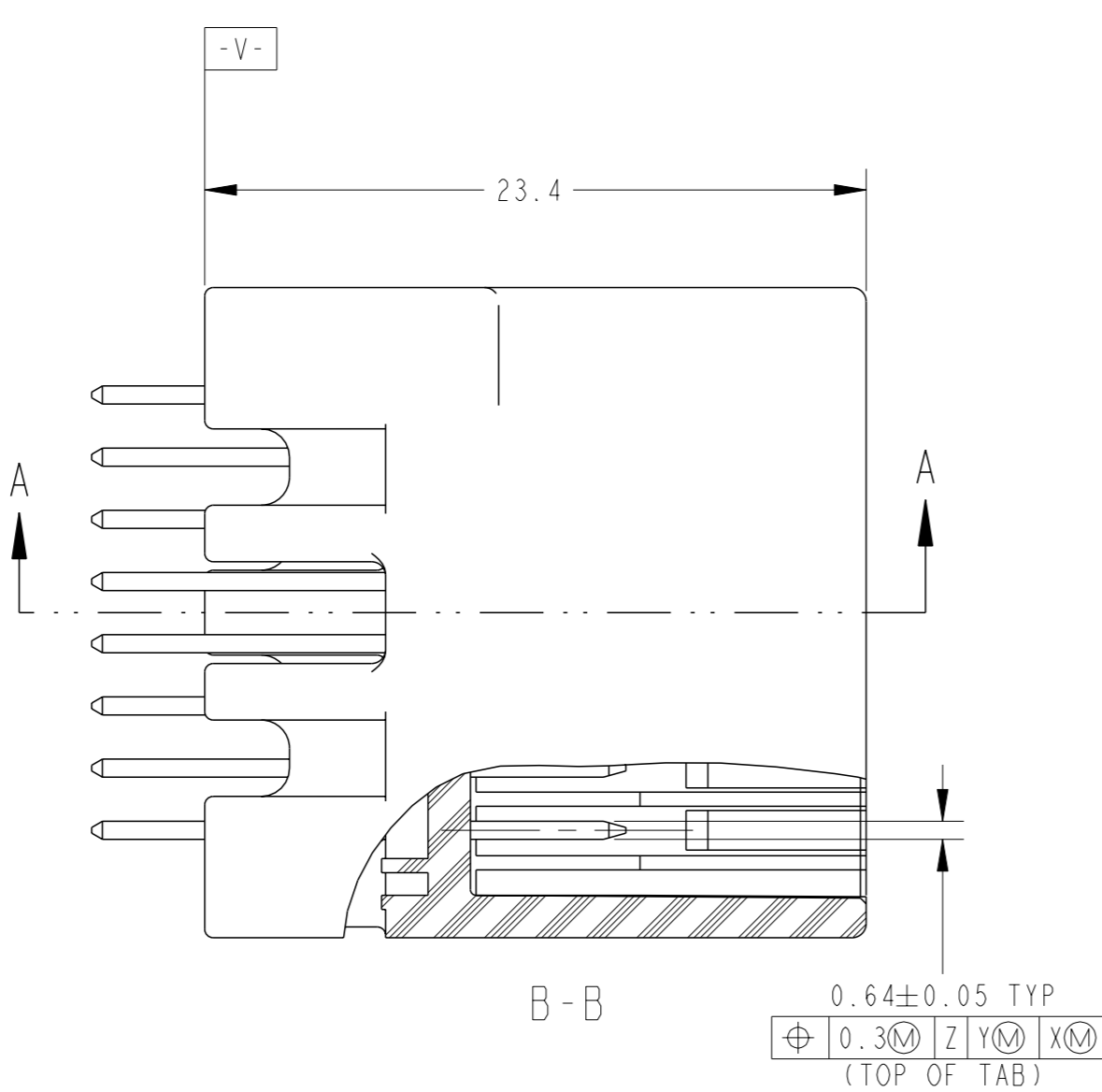
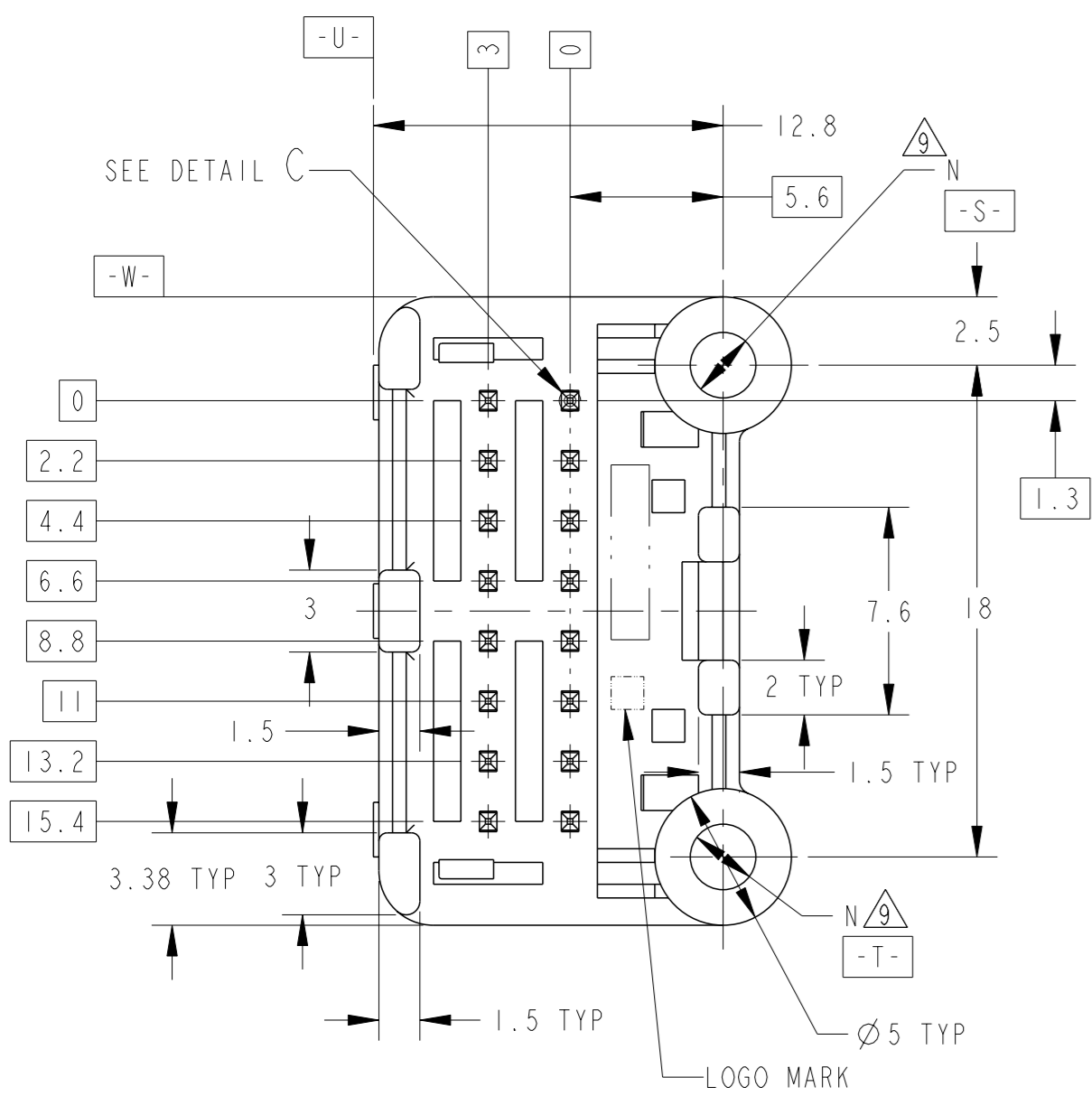
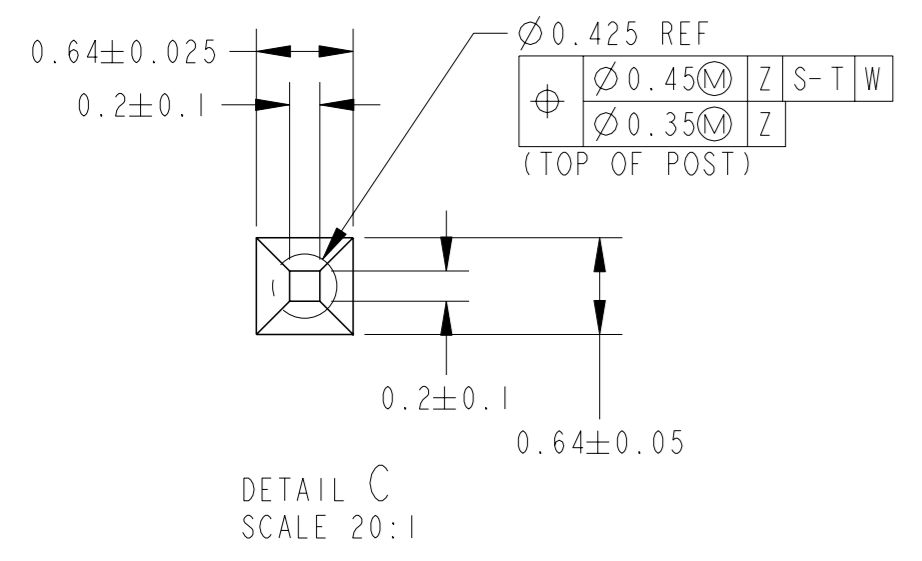


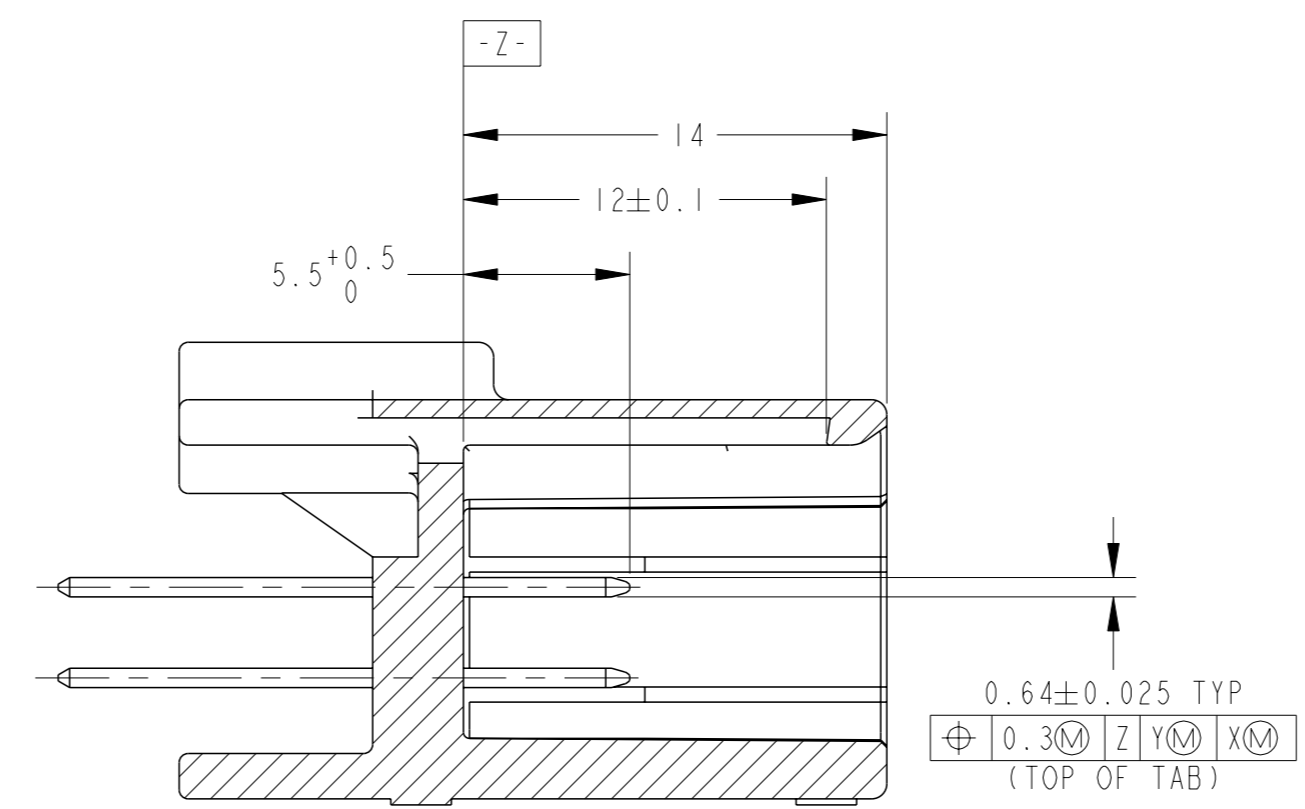
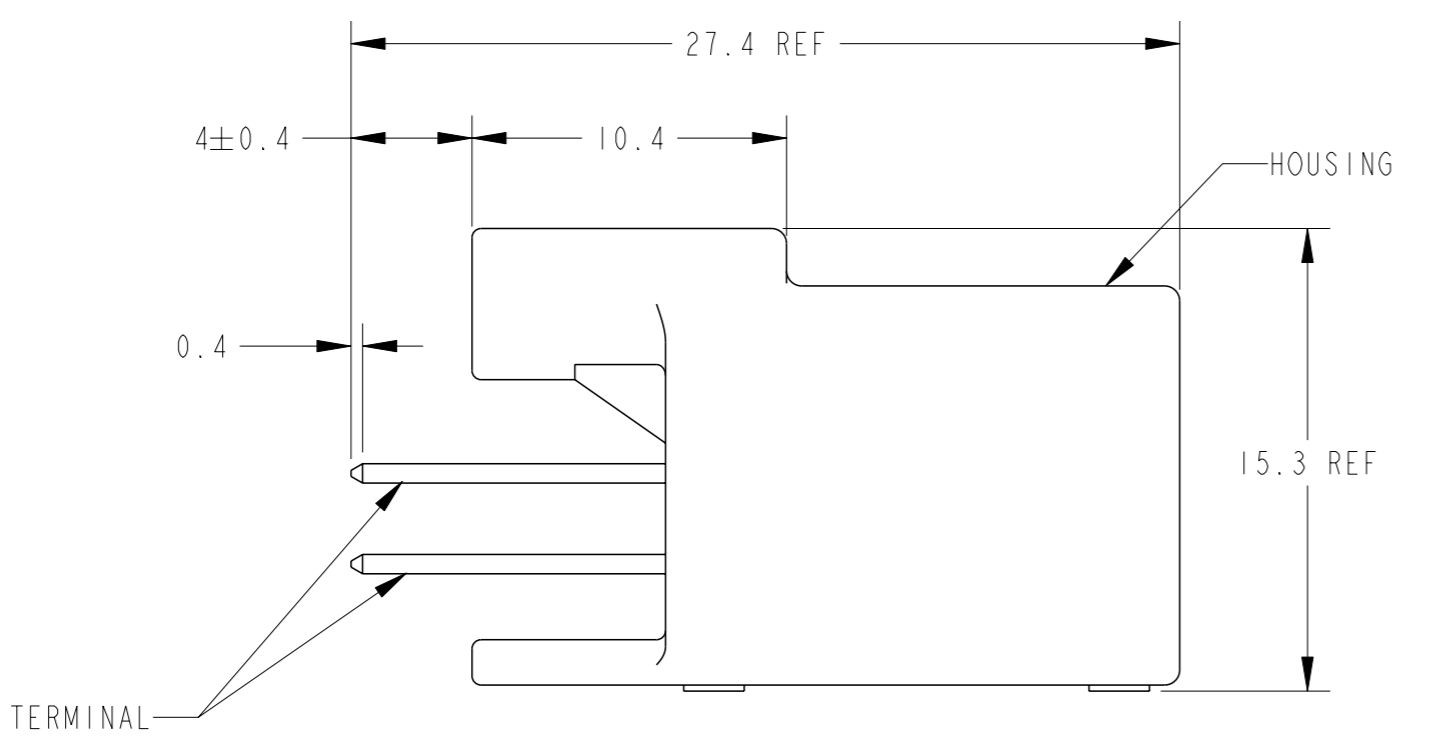
REV	DATE	BY	CHK	APPV	DESCRIPTION
A	28AUG12	Y/N	Y/F		REVISD ECR-12-015145
A1	10JUL15	D1	RK		REVISD ECR-15-010372
A2	20MAY16	DM	TK		REVISD ECR-16-002460
A3	16MAY2018	TS	HY		REVISD ECR-18-007531



DIMENSION FOR P.C. BOARD  
プリント基板取付寸法図



DETAIL C  
SCALE 20:1



A-A

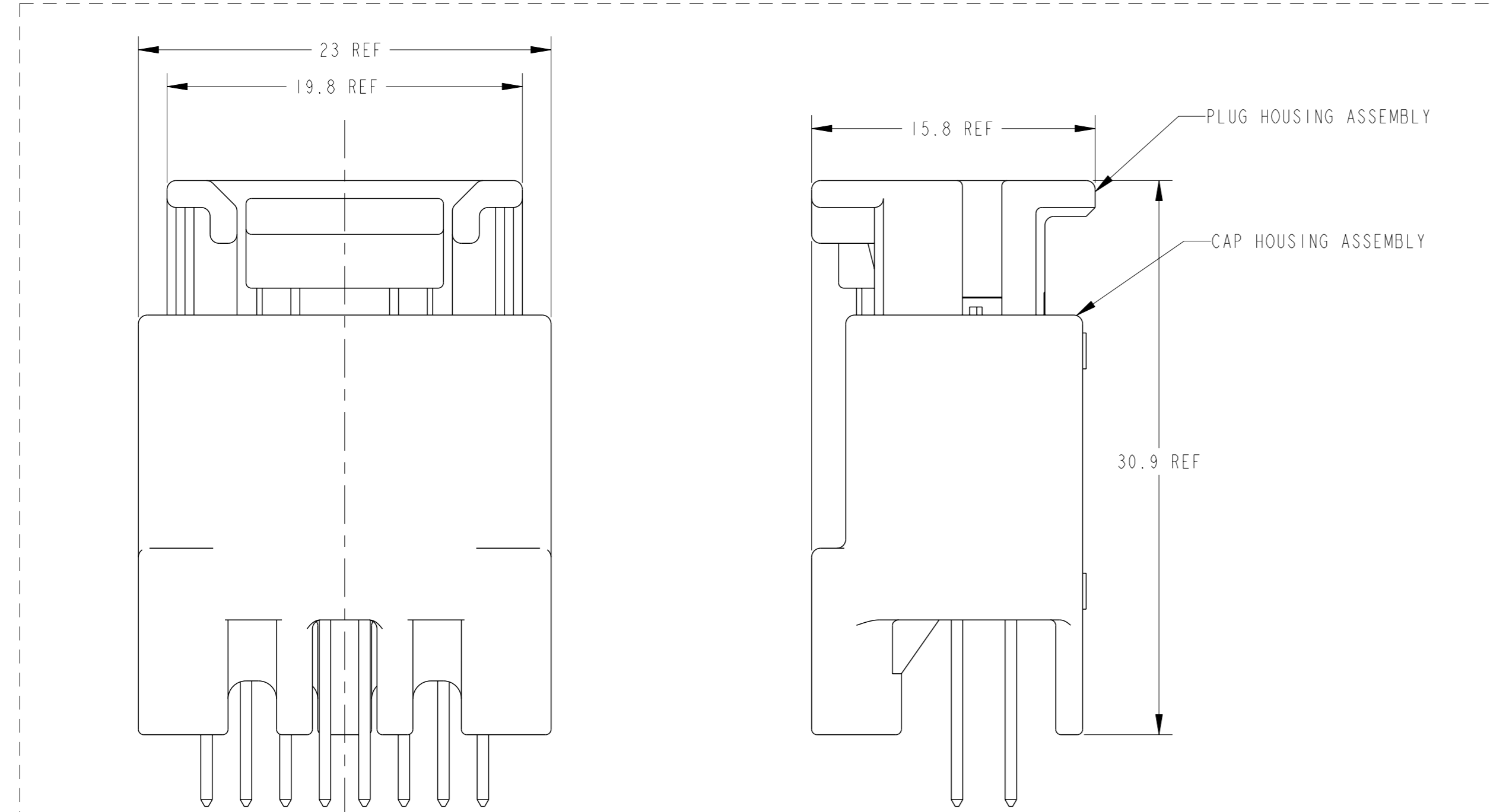
- MATING CONNECTOR PART NUMBER; SEE TABLE-1. TO BE MATED SMOOTHLY WITH THE PLUG HOUSING ASSEMBLY.
  - RECOMMENDED SCREW : PAN-HEADED, TYPE 2 TAPPING SCREW OF DIA 3mm X LENGTH 6mm REFER TO JIS B1115, B1122
  - FASTENING TORQUE FOR SCREW (REFERENCE) : 0.392N·m MAX
  - INSTRUCTION SHEET NO; 411-5928
  - APPLIED TERMINAL : SEE TABLE-2.
- IDENTIFICATION MARK FOR THE CONTACT FINISH : SEE TABLE.
- MEASURED AT 6mm FROM -Z-
  - MEASURED AT 2mm FROM -Z-
  - SCREW HOLE DIMENSION : SEE TABLE.
  - CIRCUIT NUMBER: SEE FIG.1

TABLE-1

POS. 極数	PLUG HOUSING PART No. プラグハウジング番番
16	1318386-1

TABLE-2

SIGNAL	TERMINAL No. 端子番番	APPLICABLE WIRE RANGE (FEMALE) 適用電線(メス)
025	T1N 1123343-1	CAVS/CAVUS 0.22~0.5mm <sup>2</sup> AVSS/AVSSH/AESSX 0.3~0.5mm <sup>2</sup>



CAP ASSEMBLY & PLUG ASSEMBLY ENGAGEMENT DRAWING  
キャップアセンブリ & プラグアセンブリ 嵌合図 SCALE 4:1

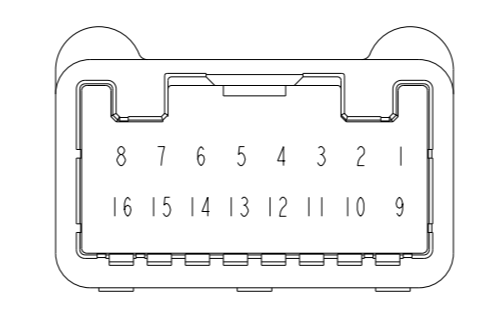


FIG. 1 CONTACT POSITION  
コンタクト回路構成

2	PAPER BOX ダンボール	PLASTIC TUBE プラスチックチューブ	1, 9	SELECTIVE-TIN (MATTE)	SELECTIVE-GOLD x 2 SELECTIVE-TIN x 14 (BRIGHT)	Ø2.4	NATURAL	PBT GF30	1565476-8
1	PAPER BOX ダンボール	PLASTIC TUBE プラスチックチューブ	-	PRE-TIN	PRE-TIN	Ø2.63	NATURAL	SPS GF30	1565476-7
1	PAPER BOX ダンボール	PLASTIC TUBE プラスチックチューブ	-	SELECTIVE-TIN (MATTE)	SELECTIVE-TIN (BRIGHT)	Ø2.4	NATURAL	PBT GF30	1565476-5
1	PLASTIC BOX 差し箱	PLASTIC TUBE プラスチックチューブ	-	PRE-TIN	PRE-TIN	Ø2.4	NATURAL	PBT GF30	1565476-4
1	PAPER BOX ダンボール	PLASTIC TUBE プラスチックチューブ	-	PRE-TIN	PRE-TIN	Ø2.4	BLACK	PBT GF30	1565476-2
1	PAPER BOX ダンボール	PLASTIC TUBE プラスチックチューブ	-	PRE-TIN	PRE-TIN	Ø2.4	NATURAL	PBT GF30	1565476-1
6	OUTER 外装	INNER 内装	-	SOLDERING SIDE 半田付け部	CONTACT SIDE 接触部	△N	COLOR 色	MATERIAL 材料	PART NUMBER 製品番番
MARKING マーキング	PACKING STYLE 梱包形態	GOLD PLATED CIRCUIT NO 金のめっき回路番号	CONTACT FINISH コンタクト仕上げ	HOUSING ハウジング					

THIS DRAWING IS A CONTROLLED DOCUMENT.

DIMENSIONS: mm

TOLERANCES UNLESS OTHERWISE SPECIFIED:  
0.1-0.4mm ±0.3  
0.5-0.9mm ±0.4  
1.0-4.75mm ±0.5  
5.0-9.99mm ±0.6  
10.0-14.99mm ±0.8  
15.0-24.99mm ±1.0  
25.0-49.99mm ±1.2  
50.0-99.99mm ±1.5  
100.0-149.99mm ±2.0  
150.0-249.99mm ±2.5  
250.0-499.99mm ±3.0  
500.0-999.99mm ±4.0  
1000.0-1499.99mm ±5.0  
1500.0-2499.99mm ±6.0  
2500.0-4999.99mm ±8.0  
5000.0-9999.99mm ±12.0  
10000.0-14999.99mm ±15.0  
15000.0-24999.99mm ±20.0  
25000.0-49999.99mm ±30.0  
50000.0-99999.99mm ±50.0  
100000.0-149999.99mm ±75.0  
150000.0-249999.99mm ±100.0  
250000.0-499999.99mm ±150.0  
500000.0-999999.99mm ±250.0  
1000000.0-1499999.99mm ±500.0  
1500000.0-2499999.99mm ±750.0  
2500000.0-4999999.99mm ±1000.0

MATERIAL: CONTACT: BRASS, HOUSING: SEE TABLE

OWN: R. KOMIYAMA, CHK: H. YAMAGAMI, APPV: N. SAI

PRODUCT SPEC: 108-5668, APPLICATION SPEC: 114-5250

WEIGHT: 5.03 g

SIZE: A1, CAGE CODE: 00779, DRAWING NO: 1565476

SCALE: 4:1, SHEET: 1 OF 1, REV: A3

STE TE Connectivity

025 SERIES 16 POSITION (PCB V-TYPE) CAP HOUSING ASSEMBLY

## X-ON Electronics

Largest Supplier of Electrical and Electronic Components

*Click to view similar products for [Automotive Connectors](#) category:*

*Click to view products by [TE Connectivity](#) manufacturer:*

Other Similar products are found below :

[003-018-000](#) [60403001](#) [60993906-B](#) [M902-2131](#) [M902-2161](#) [72.330.1035.1](#) [73.353.4028.0](#) [F119300-B](#) [F166900](#) [F258300-B](#) [F358300-B](#)  
[F407400](#) [F444110](#) [F487000](#) [F509500B-B](#) [827153-1](#) [8N1515-32-24P](#) [9-1326729-8](#) [925474-1](#) [928905-1](#) [964562-4](#) [968782-1](#) [GT17SA-8DS-](#)  
[HU](#) [98891-1012](#) [98947-1016](#) [12004147](#) [12004475-L](#) [12010290](#) [12010309-B](#) [12015454](#) [12020219-B](#) [12020308](#) [12041318-B](#) [12052225-L](#)  
[12052466](#) [12059125](#) [12064869](#) [12004327-B](#) [12010503-B](#) [12015308](#) [12015384](#) [12015909](#) [1-21030-1](#) [12041254](#) [12041318](#) [12047946-B](#)  
[12047957](#) [12047957-L](#) [12059473](#) [12066261](#)