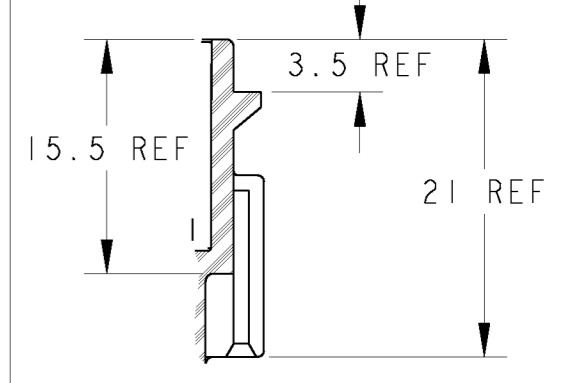
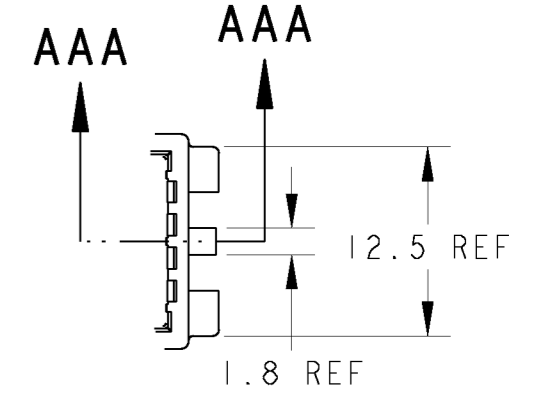
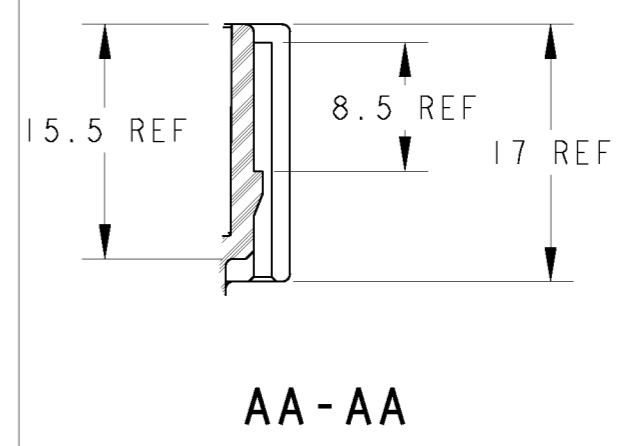
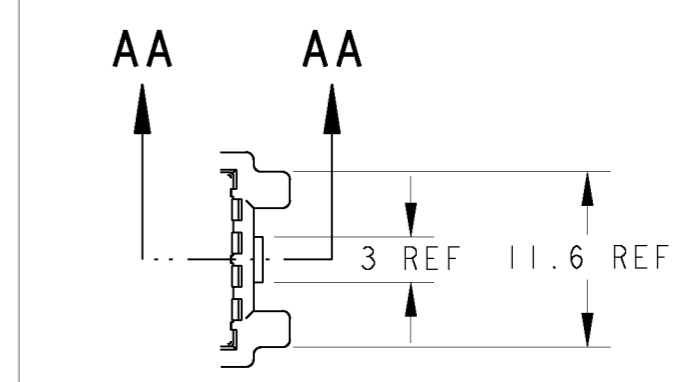
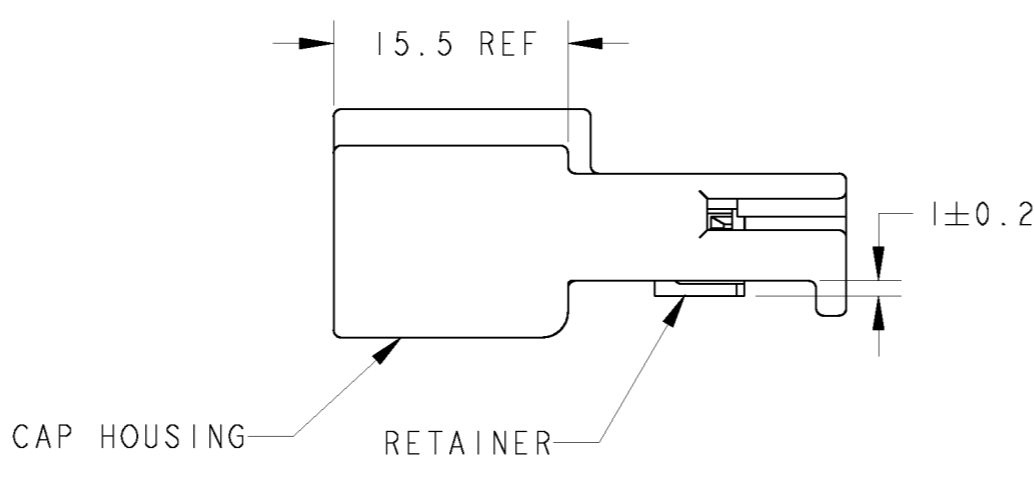
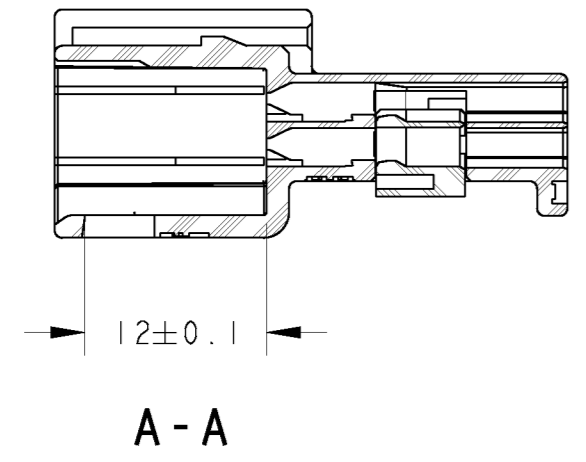
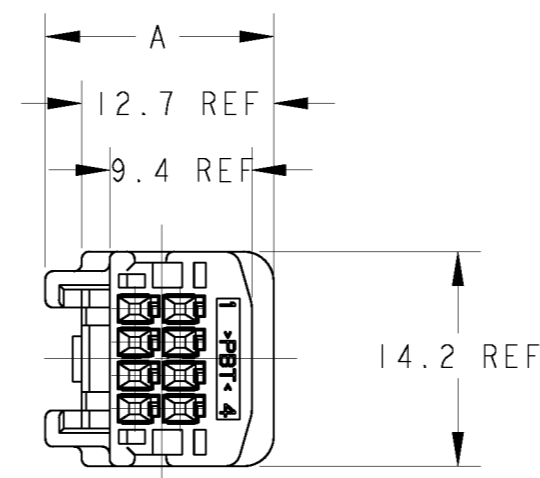
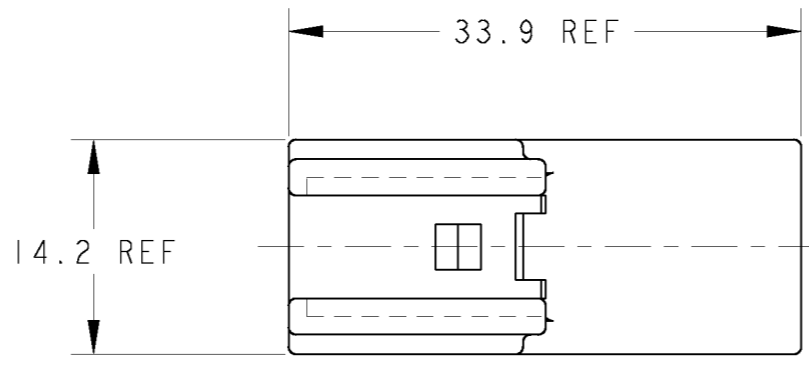
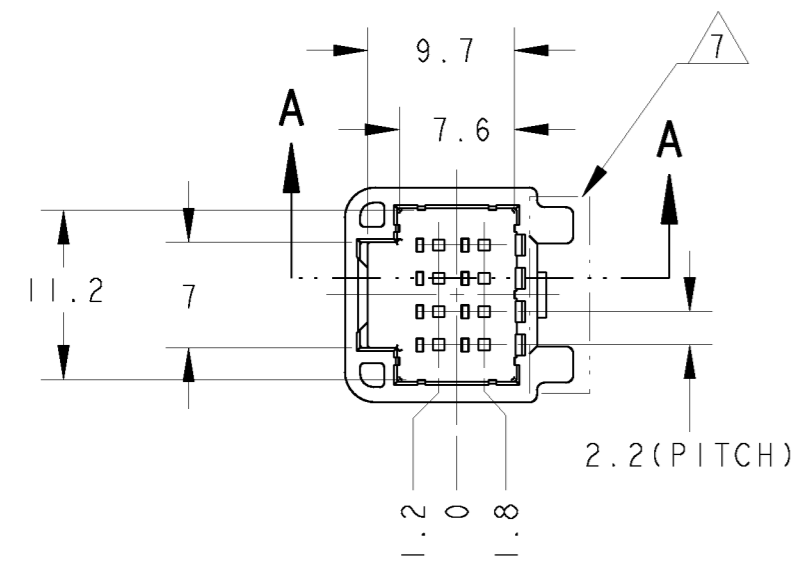


THIS DRAWING IS UNPUBLISHED. RELEASED FOR PUBLICATION 2002.2.6
 (C) COPYRIGHT 2002.2.6 ALL RIGHTS RESERVED.

LOC		DIST		REVISIONS			
P	LTR	DESCRIPTION		DATE	DWN	APVD	
	B2	REVISED PER ECO-11-005140		09APR2011	RK	HMR	



PANEL LOCK TYPE A

PANEL LOCK TYPE B

DIMENSION B 寸法B	14.7 REF	16 REF
DIMENSION A 寸法A	15.1 REF	16.4 REF
PANEL LOCK パネル・ロック形状	TYPE A	TYPE B

1. RETAINER SHOULD BE SET TO THE CAP HOUSING WHEN SHIPPED TO THE CUSTOMER
 2. RETAINER MUST BE OUT SIDE OF CAP HOUSING AT PRE-ASSEMBLY
 3. INSTRUCTION SHEET NO.411-78011.
 4. PART NUMBER OF PLUG HOUSING TO BE MATED; SEE TABLE-1
 5. APPLICABLE TERMINAL; TABLE-2
 6. RECOMMENDED MATING PANEL LOCK; SEE SHEET 2 OF 2
- △. 2 PANEL LOCK FORM.

1. キャップハウジングにリテーナを仮係止して出荷される。
 2. 仮係止時、リテーナがハウジングの外側に出ている。
 3. 取扱説明書NO.411-78011
 4. 嵌合型番; TABLE-1参照
 5. 適用端子; TABLE-2参照
 6. パネルロック推奨嵌合相手形状; SHEET 2 OF 2参照
- △. パネルロック形状は、2種類ある。

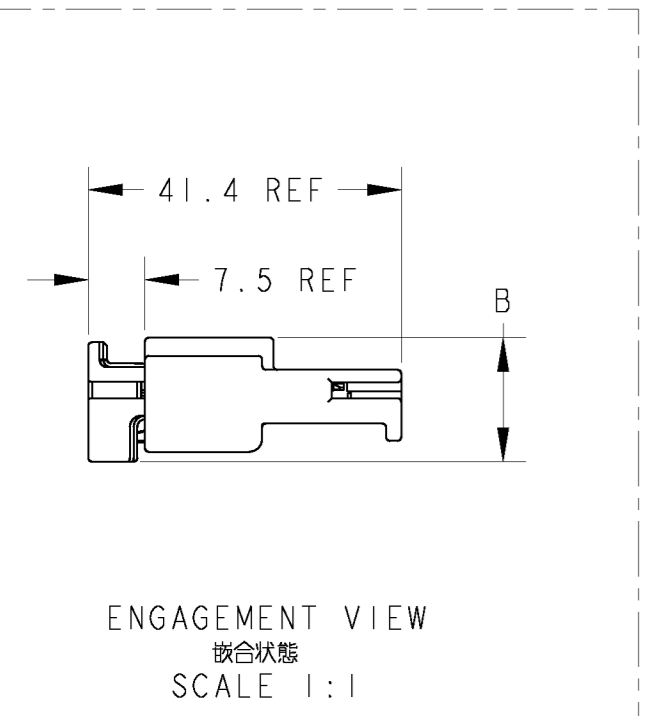
TABLE - 1

POS 極数	TERMINATION TYPE 結線方式	PLUG ASSEMBLY PART NO. 嵌合相手型番
8	CRINP	1376352

TABLE - 2

TYPE 端子種類	FINISH	APPLICABLE TERMINAL PN	APPLICABLE WIRE RANGE 適用電線
SIGNAL 025	TIN	1674742-1	AVSS/CAVS/CAVUS/AVSSH-f 0.3~0.5mm ²

PLASTIC BAG ビニール袋	PAPER BOX ダンボール箱	TYPE B	NATURAL	1565804-2
PLASTIC BAG ビニール袋	PAPER BOX ダンボール箱	TYPE A	NATURAL	1565804-1
INNER 内装	OUTER 外装	PANEL LOCK パネル・ロック形状	COLOR 色	PN 型番
PACKING STYLE 梱包形態				



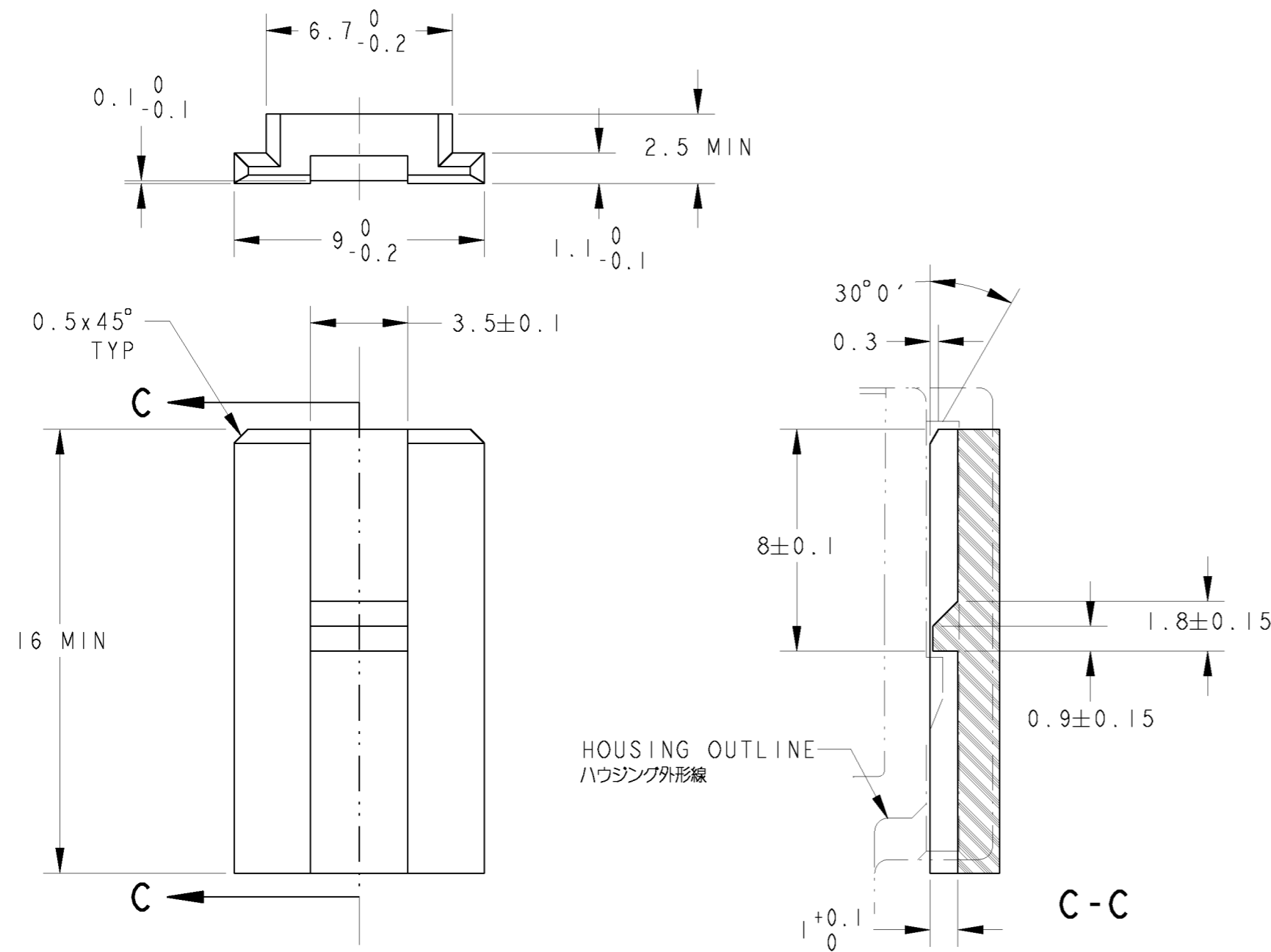
THIS DRAWING IS A CONTROLLED DOCUMENT.

DIMENSIONS: mm	TOLERANCES UNLESS OTHERWISE SPECIFIED: ±0.3	DWN Y. MITO 6FEB02	TE Connectivity
	0-PLC ±	CHK T. KOHNO 6FEB02	
	1-PLC ±0.5	APVD N. SAI 6FEB02	
MATERIAL PBT	SEE TABLE	PRODUCT SPEC 108-5787	NAME 025 G W-W CONNECTOR 8POSITION CAP HOUSING ASSEMBLY
		APPLICATION SPEC 114-5340	SIZE A200779
		ANGLES FINISH ±3°00'	DRAWING NO C-1565804
		WEIGHT 3.1 g	RESTRICTED TO
		CUSTOMER DRAWING	SCALE 2:1 SHEET 1 OF 2 REV B2

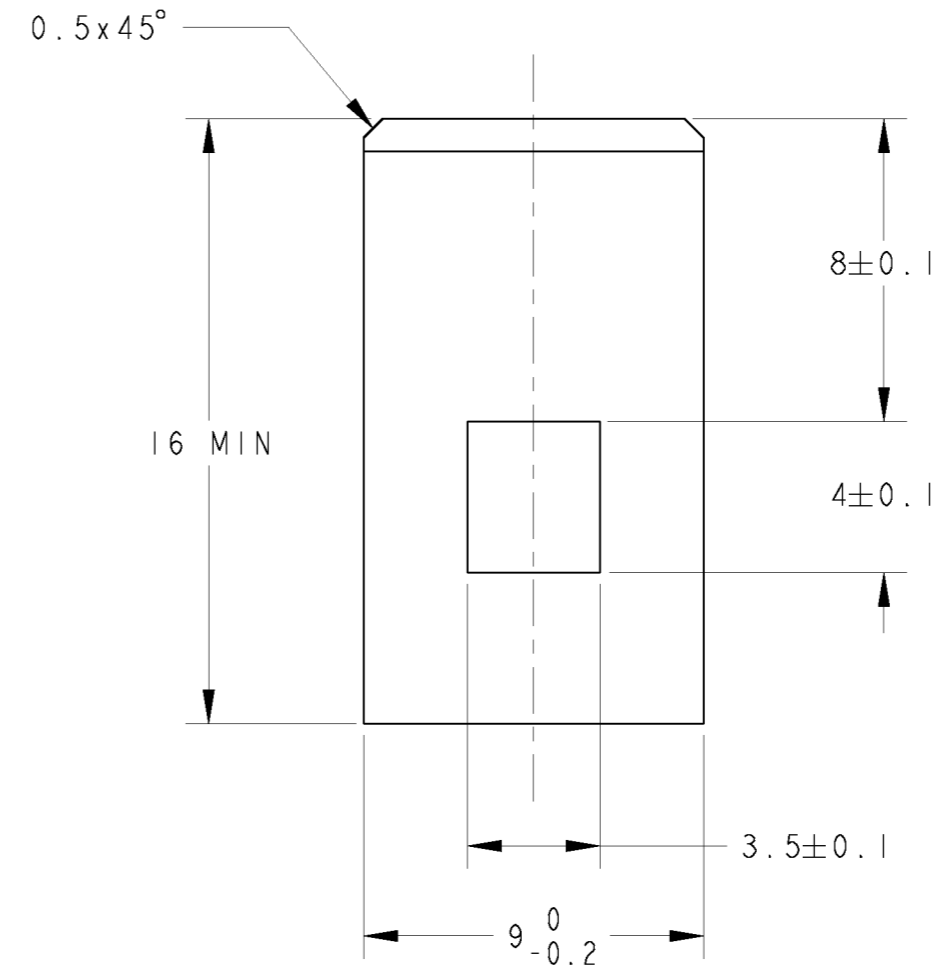
THIS DRAWING IS UNPUBLISHED. RELEASED FOR PUBLICATION
 © COPYRIGHT - ALL RIGHTS RESERVED.

LOC	DIST	REVISIONS			
P	LTR	DESCRIPTION	DATE	DWN	APVD
-	-	SEE SHEET 1	-	-	-

MATING TO TYPE A

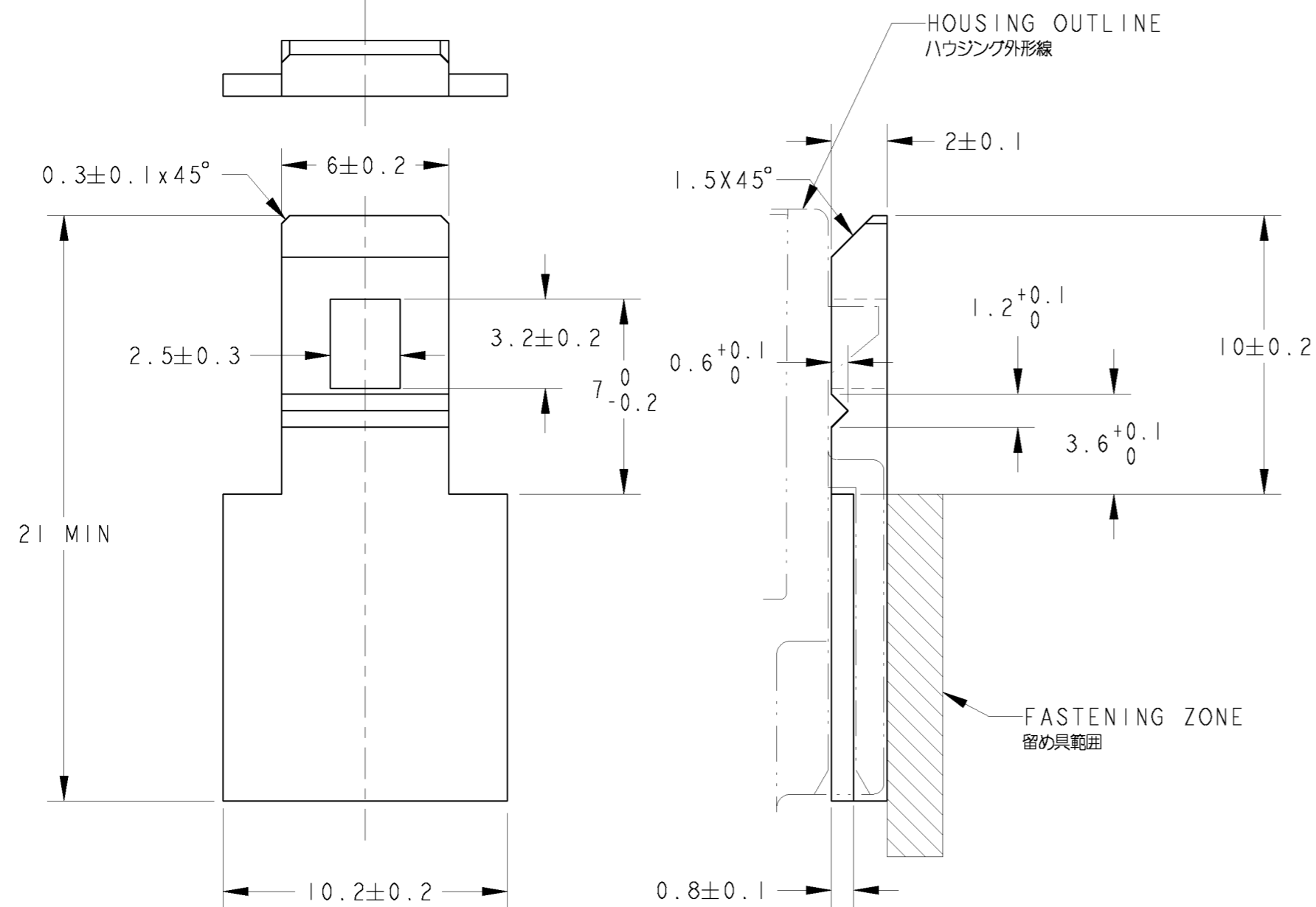


MATERIAL: PLASTIC 材料: 樹脂



MATERIAL: METAL 材料: 金属

MATING TO TYPE B



MATERIAL: PLASTIC 材料: 樹脂

THIS DRAWING IS A CONTROLLED DOCUMENT.		DWN N. YASUDA	23APR02	 TE Connectivity	NAME 025 G W-W CONNECTOR 8 POSITION CAP HOUSING ASSEMBLY
DIMENSIONS: mm		CHK I. KOHNO	23APR02		
TOLERANCES UNLESS OTHERWISE SPECIFIED: ±0.15		APVD N. SAI	23APR02		
0-PLC ± 1-PLC ±0.5 2-PLC ±0.13 3-PLC ±0.013 4-PLC ±0.0001 ANGLES ±3°00' FINISH		PRODUCT SPEC SEE 1 OF 2	APPLICATION SPEC SEE 1 OF 2		
MATERIAL SEE NOTE		WEIGHT SEE 1 OF 2	CUSTOMER DRAWING	SIZE A200779	CAGE CODE C-1565804
				RESTRICTED TO	
				SCALE 2:1	SHEET 2 OF 2
				REV B2	

X-ON Electronics

Largest Supplier of Electrical and Electronic Components

Click to view similar products for [Automotive Connectors](#) category:

Click to view products by [TE Connectivity](#) manufacturer:

Other Similar products are found below :

[003-018-000](#) [60403001](#) [60993906-B](#) [M902-2131](#) [M902-2161](#) [M902-2344](#) [72.330.1035.1](#) [73.353.4028.0](#) [F119300-B](#) [F166900](#) [F258300-B](#)
[F358300-B](#) [F407400](#) [F444110](#) [F487000](#) [F509500B-B](#) [827153-1](#) [8N1515-32-24P](#) [9-1326729-8](#) [925474-1](#) [928905-1](#) [964562-4](#) [968782-1](#)
[GT17SA-8DS-HU](#) [98891-1012](#) [98947-1016](#) [12004147](#) [12004475-L](#) [12010290](#) [12010309-B](#) [12015454](#) [12020219-B](#) [12041318-B](#) [12052225-](#)
[L](#) [12052466](#) [12064869](#) [12004327-B](#) [12015308](#) [12015384](#) [12015909](#) [1-21030-1](#) [12041254](#) [12041318](#) [12047946-B](#) [12047957](#) [12047957-L](#)
[12059473](#) [12066261](#) [12110546](#) [12110546-B](#)