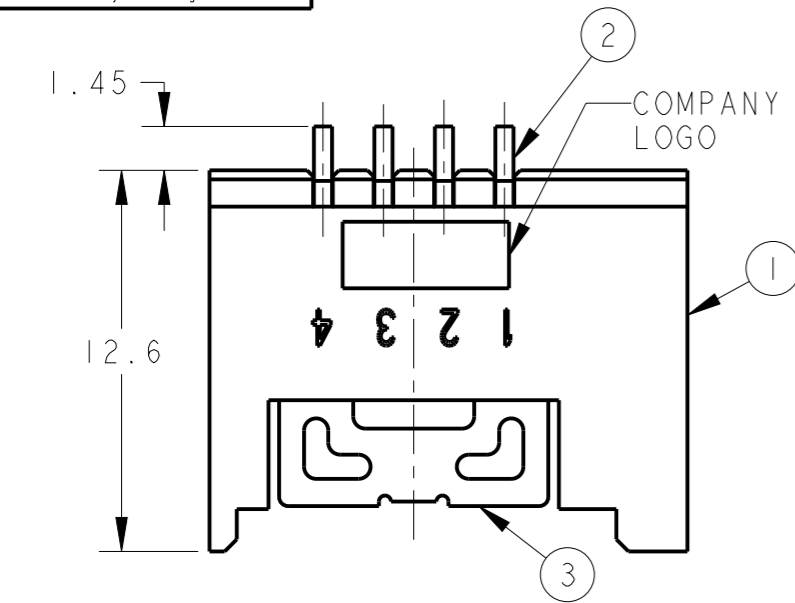
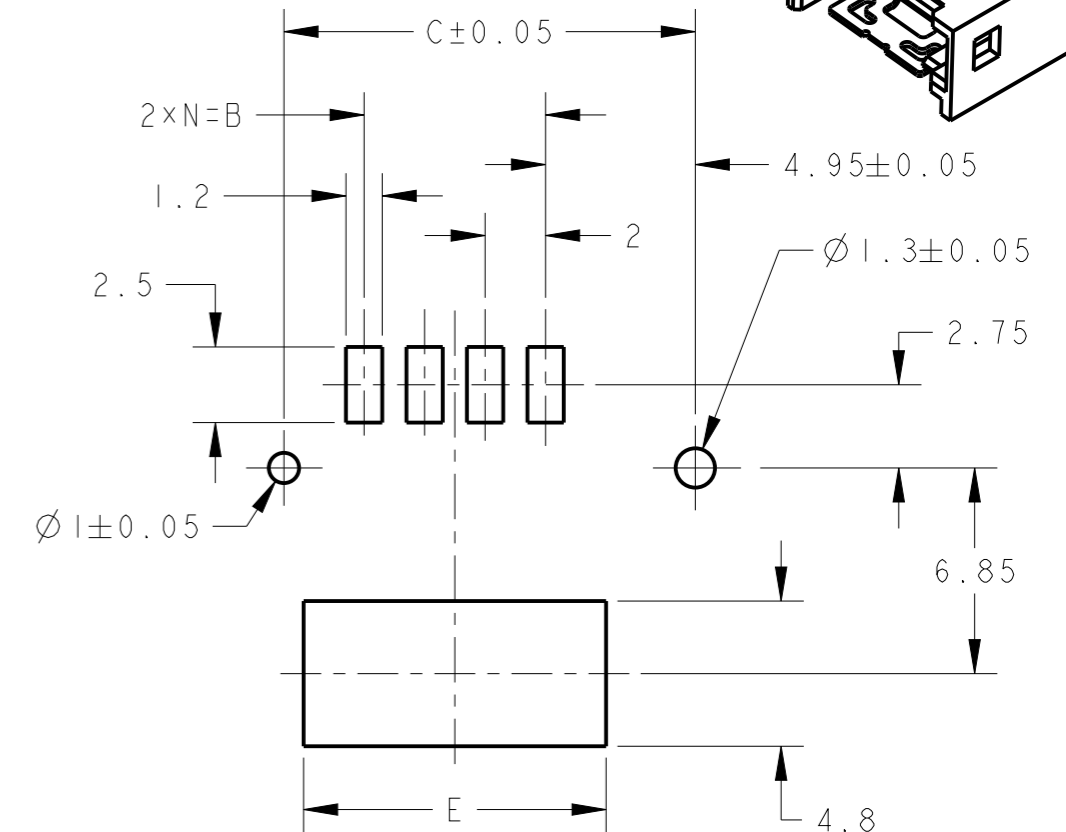
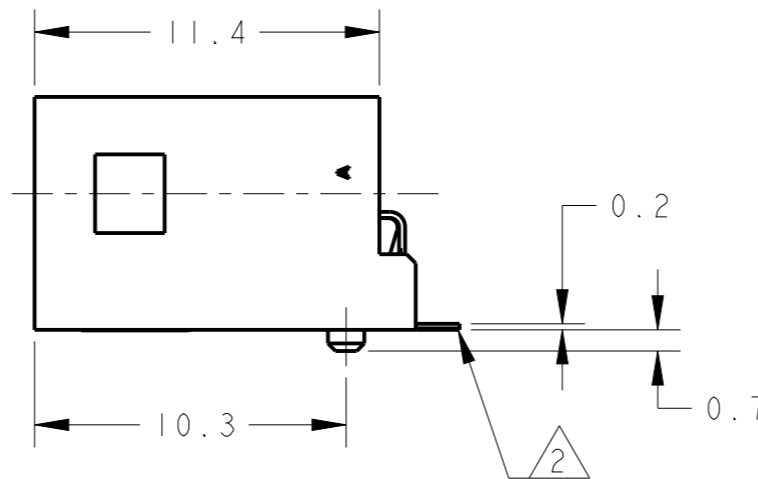
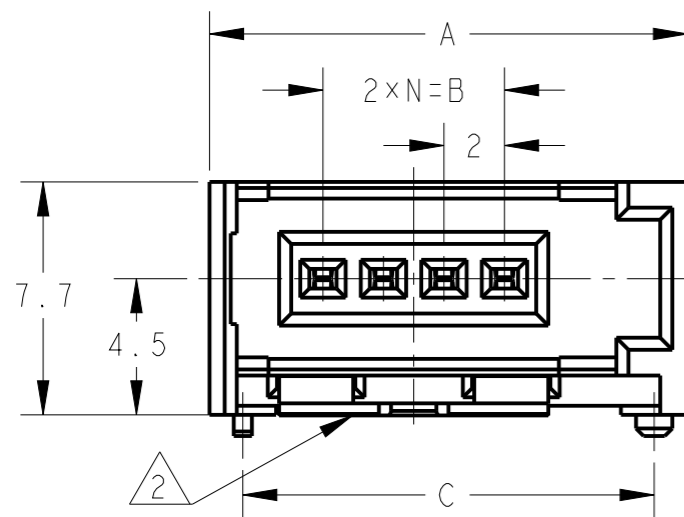


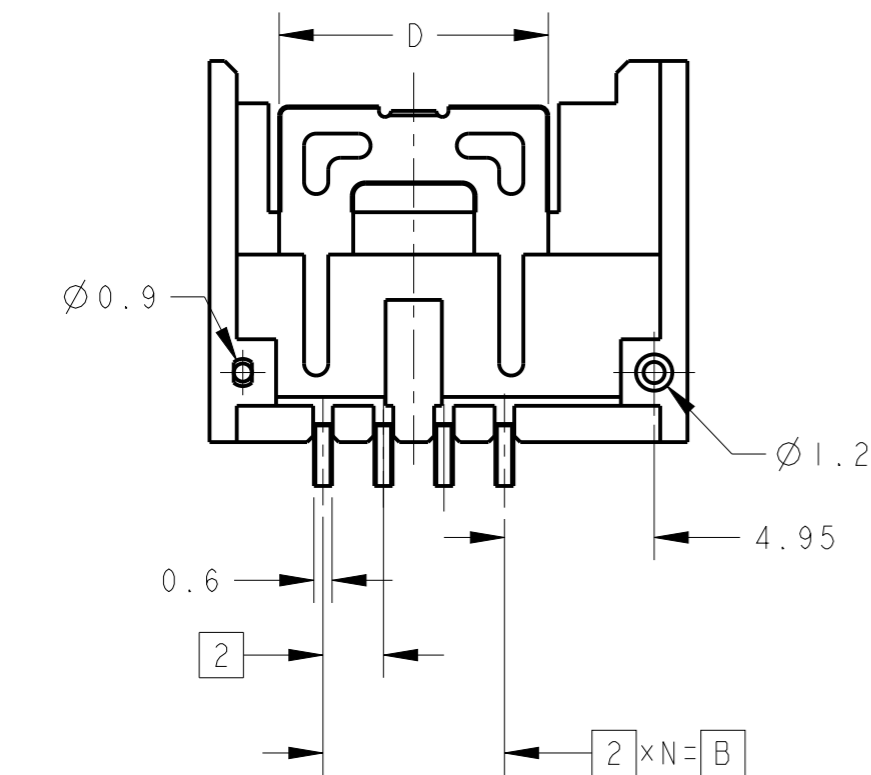
P	LTR	DESCRIPTION	DATE	DWN	APVD
	R	REVISED PER ECR-21-102050	14APR2021	M. J	E. I



1 MATERIAL & FINISH
 CONTACT: COPPER ALLOY, UNDER Ni PLATING 1.27umMIN
 CONTACT AREA: Au PLATING 0.2umMIN
 TINE AREA: TIN PLATING 1~3um
 HOUSING: THERMO PLASTIC
 SOLDER PEG; COPPER ALLOY, UNDER Ni PLATING 1.27umMIN
 TINE AREA: TIN PLATING 1~3um
 2 COPLANARITY OF CONTACT AND SOLDER PEG: 0.1mm MAX.



REFERENCE DIMENSION OF PCB(MOUNTING SIDE)



1565994-3, 4: AS SHOWN

1.1g	0.95g	1.1g	0.95g																		
1	1	1	1	SOLDER PEG																	3
4	3	4	3	HDR CONTACT																	2
1				HSR HSG, 4P, W/O BOSS	10	8.9	-	6	15.8	3	4	1									
	1			HDR HSG, 3P, W/O BOSS	8	6.9	-	4	13.8	2	3	1									
		1		HDR HSG, 4P, WITH BOSS	10	8.9	13.6	6	15.8	3	4	1									
			1	HDR HSG, 3P, WITH BOSS	8	6.9	11.6	4	13.8	2	3	1									
1	-4	1	-3	-4	-3	NAME	E	D	C	B	A	N	POS	ITEM							

THIS DRAWING IS A CONTROLLED DOCUMENT.

DWN M. Kimura 18APR2002
 CHK Y. KASHIWA 18APR2002
 APVD Y. KASHIWA 18APR2002

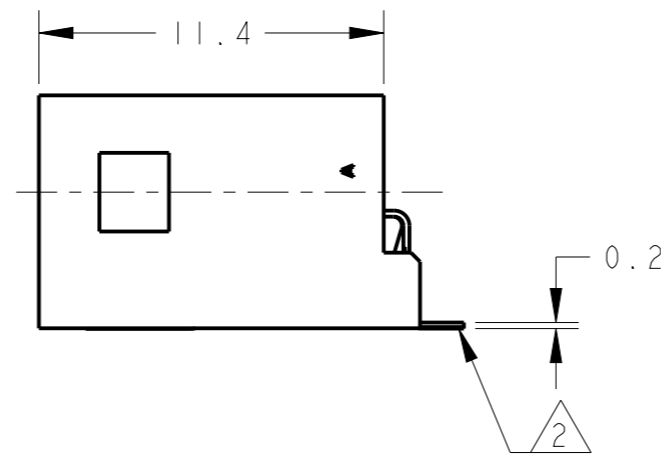
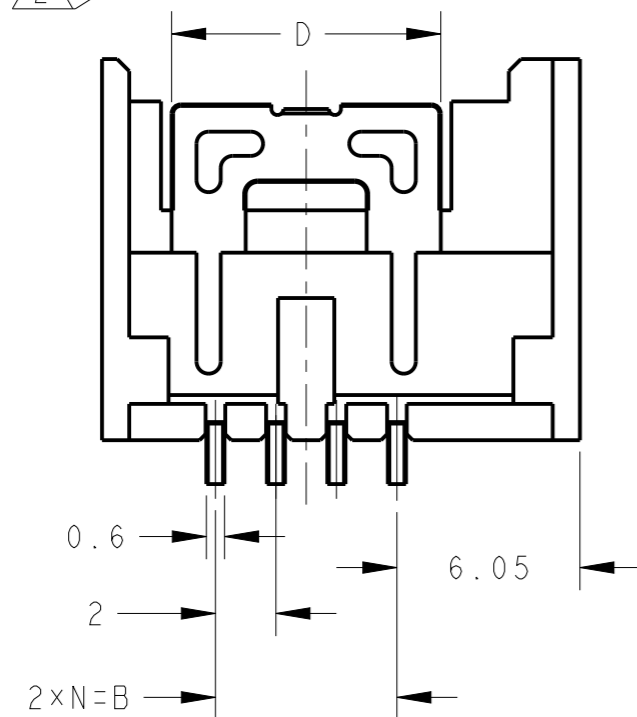
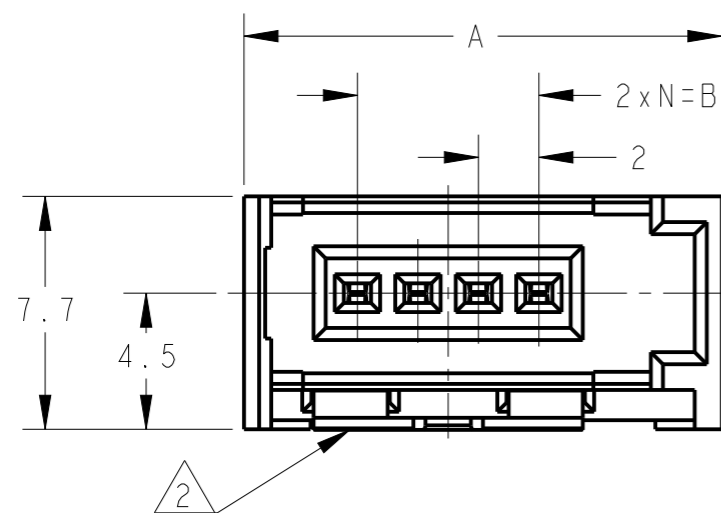
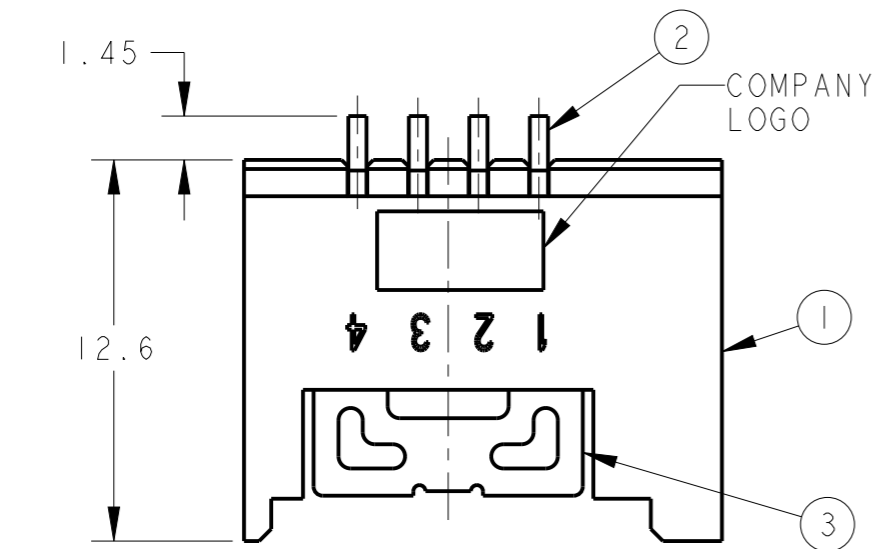
TE TE Connectivity
 NAME HDR ASSEMBLY, RIGHT ANGLE SMT TYPE RITS CONNECTOR

PRODUCT SPEC	108-5765	SIZE	A3	CAGE CODE		DRAWING NO	C=1565994	RESTRICTED TO	
APPLICATION SPEC		WEIGHT	TABLE	SCALE	4:1	SHEET	1 OF 3	REV	R

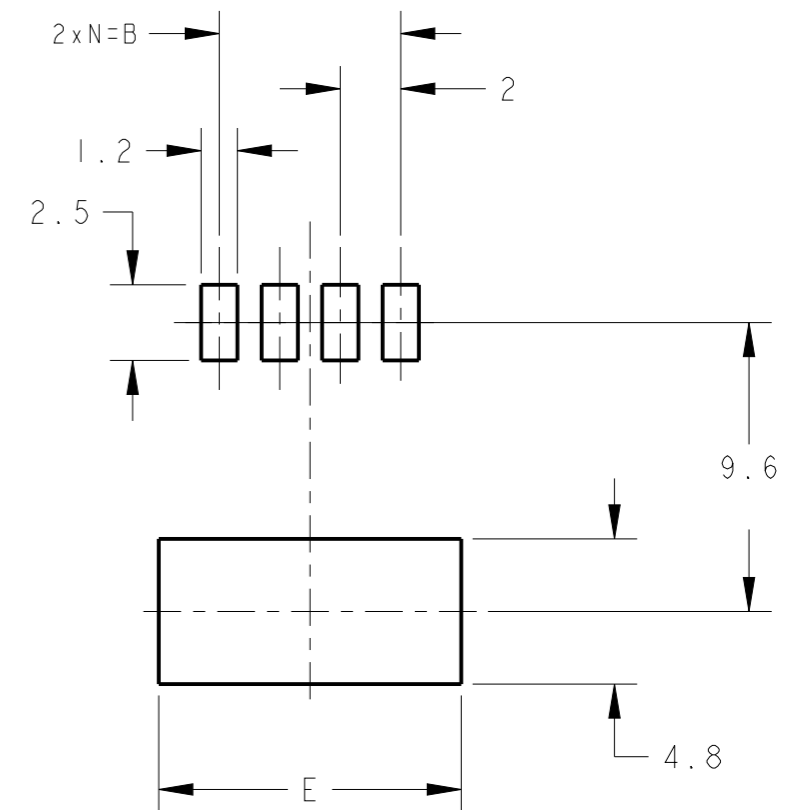
DIMENSIONS: mm
 TOLERANCES UNLESS OTHERWISE SPECIFIED: ±0.25
 0 PLC ±
 1 PLC ±0.1
 2 PLC ±0.01
 3 PLC ±0.001
 4 PLC ±0.0001
 ANGLES ±3°
 MATERIAL SEE NOTE FINISH SEE NOTE

CUSTOMER DRAWING

P	LTR	DESCRIPTION	DATE	DWN	APVD
-	-	SEE SHEET 1	-	-	-



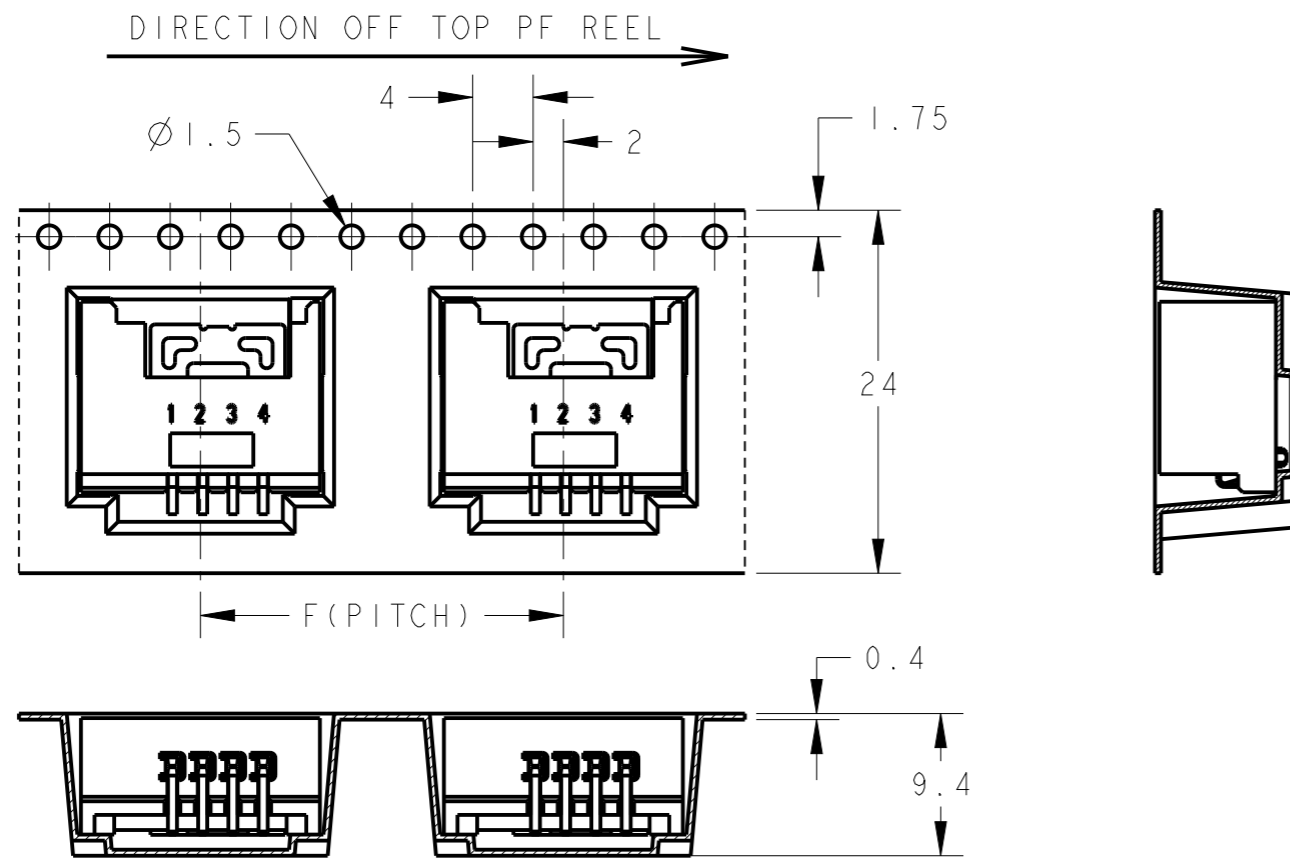
1-1565994-3, 4: AS SHOWN



REFERENCE DIMENSION OF PCB(MOUNTING SIDE)

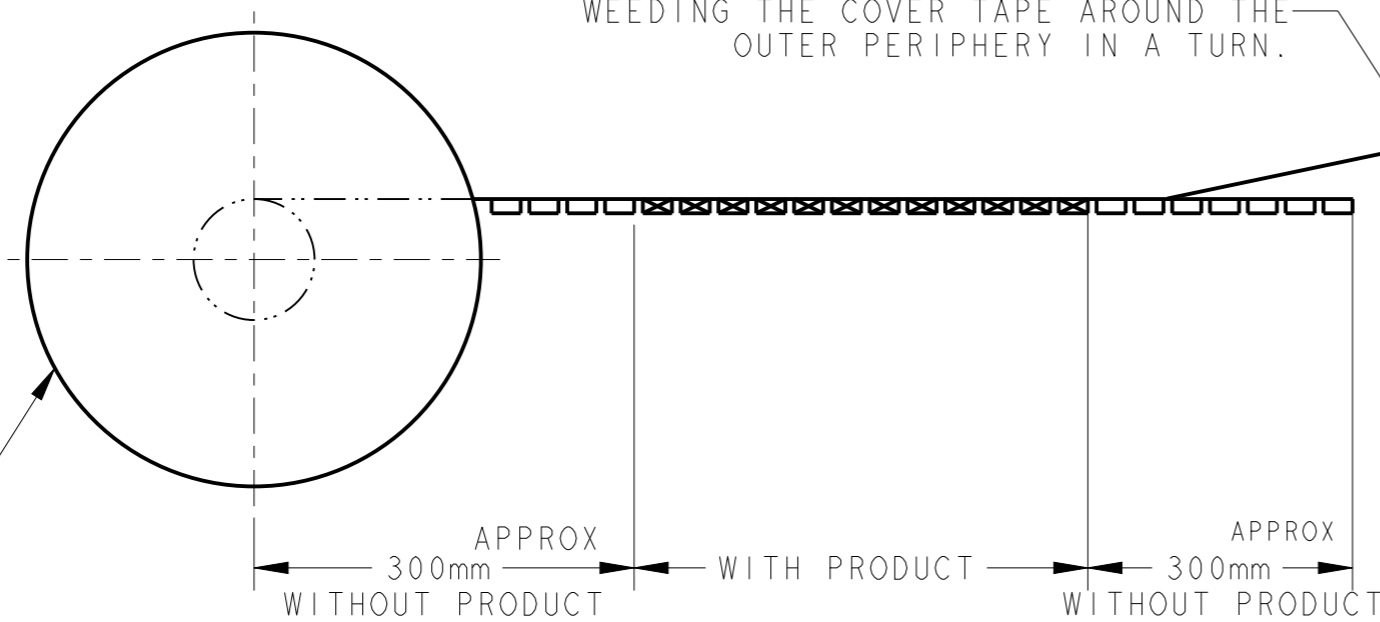
THIS DRAWING IS A CONTROLLED DOCUMENT.		DWN M. Kimura 18APR2002														
DIMENSIONS: mm		CHK Y. KASHIWA 18APR2002														
TOLERANCES UNLESS OTHERWISE SPECIFIED: ±0.25		APVD Y. KASHIWA 18APR2002														
<table border="1"> <tr><td>0 PLC</td><td>±</td></tr> <tr><td>1 PLC</td><td>±0.1</td></tr> <tr><td>2 PLC</td><td>±0.01</td></tr> <tr><td>3 PLC</td><td>±0.001</td></tr> <tr><td>4 PLC</td><td>±0.0001</td></tr> <tr><td>ANGLES</td><td>±3°</td></tr> </table>		0 PLC	±	1 PLC	±0.1	2 PLC	±0.01	3 PLC	±0.001	4 PLC	±0.0001	ANGLES	±3°	PRODUCT SPEC 108-5765	NAME HDR ASSEMBLY, RIGHT ANGLE SMT TYPE RITS CONNECTOR	
0 PLC	±															
1 PLC	±0.1															
2 PLC	±0.01															
3 PLC	±0.001															
4 PLC	±0.0001															
ANGLES	±3°															
MATERIAL SEE SHEET 1	FINISH SEE SHEET 1	APPLICATION SPEC -	SIZE A3	CAGE CODE C-1565994	RESTRICTED TO -											
CUSTOMER DRAWING		WEIGHT TABLE	SCALE 4:1	SHEET 2 OF 3	REV R											

P	LTR	DESCRIPTION	DATE	DWN	APVD
-		SEE SHEET 1	-	-	-



PACKING STYLE

WEEDING THE COVER TAPE AROUND THE OUTER PERIPHERY IN A TURN.



REEL SIZE:
330DIAx80DIA(HUB)x31.5W(25.5W INSIDE)

200	4	24	1-1565994-4
250	3	20	1-1565994-3
200	4	24	1565994-4
250	3	20	1565994-3
QTY	POS	F	PART NO.

THIS DRAWING IS A CONTROLLED DOCUMENT.		DWN M. Kimura 18APR2002	TE Connectivity NAME HDR ASSEMBLY, RIGHT ANGLE SMT TYPE RITS CONNECTOR	
DIMENSIONS: mm		CHK Y. KASHIWA 18APR2002		
TOLERANCES UNLESS OTHERWISE SPECIFIED: ± 0.3		APVD Y. KASHIWA 18APR2002		
0 PLC ± 1 PLC ±0.1 2 PLC ±0.01 3 PLC ±0.001 4 PLC ±0.0001 ANGLES ±3°		PRODUCT SPEC -		
MATERIAL SEE SHEET 1	FINISH SEE SHEET 1	APPLICATION SPEC -	WEIGHT TABLE	SIZE A3
CUSTOMER DRAWING		SCALE NONE	DRAWING NO. C-1565994	RESTRICTED TO -
		SHEET 3	OF 3	REV R

X-ON Electronics

Largest Supplier of Electrical and Electronic Components

Click to view similar products for [Headers & Wire Housings](#) category:

Click to view products by [TE Connectivity](#) manufacturer:

Other Similar products are found below :

[892-18-020-10-001101](#) [58102-G61-06LF](#) [582553-1](#) [0009485154](#) [009176003701906](#) [0050291907](#) [LY20-4P-DT1-P1E-BR](#) [02.125.8002.8](#)
[609-3404](#) [61062-3](#) [61082-181009](#) [622-3653LF](#) [63453-116](#) [636-1030](#) [636-1427](#) [636-3427](#) [636-4007](#) [641938-9](#) [641991-4](#) [644827-2](#) [65817-](#)
[010LF](#) [65817-015LF](#) [65863-015LF](#) [66207-023LF](#) [67095-007LF](#) [67601157](#) [68645-018](#) [68648-049](#) [70.362.1628.0](#) [70-4210](#) [70-4226B](#) [70-](#)
[4853B](#) [707-5020](#) [707-5028](#) [71.350.2428.0](#) [71918-208LF](#) [71961-016LF](#) [733-134](#) [733-162](#) [754199-000](#) [760-3052](#) [79531-3000](#) [FCN-](#)
[360C032-B](#) [FCN-367T-T012/H](#) [FCN-723D010/2](#) [80.063.4001.1](#) [800-90-010-10-002000](#) [801-43-002-10-013000](#) [801-43-006-10-002000](#)
[801-93-011-10-001000](#)