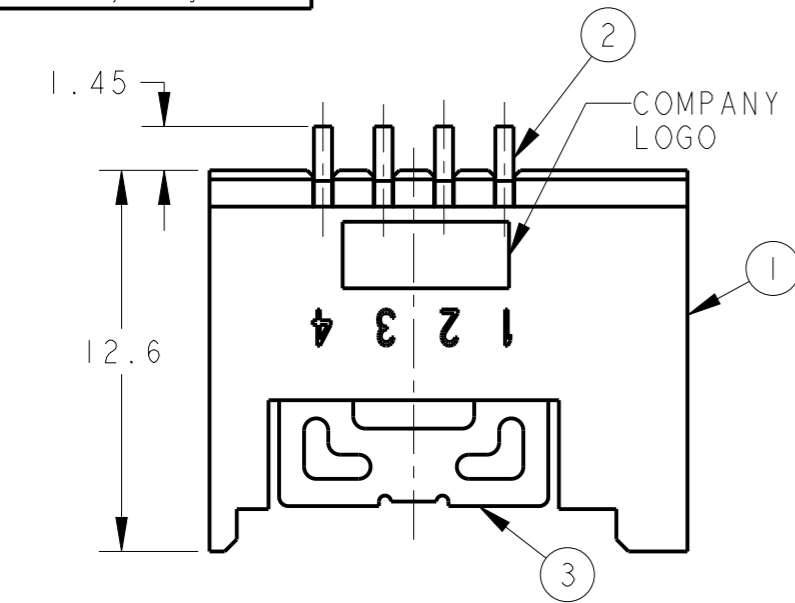
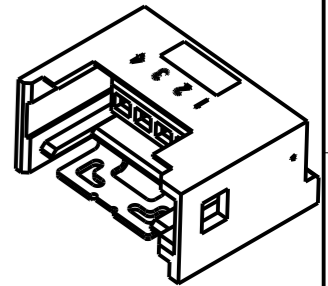
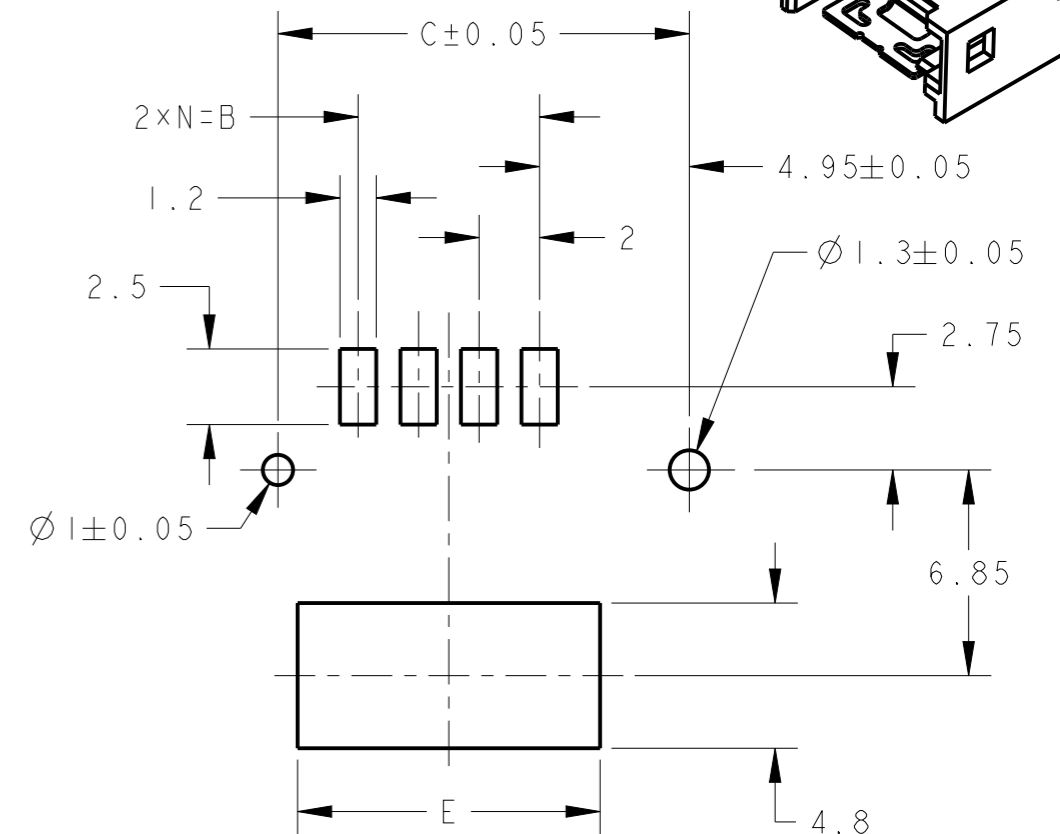
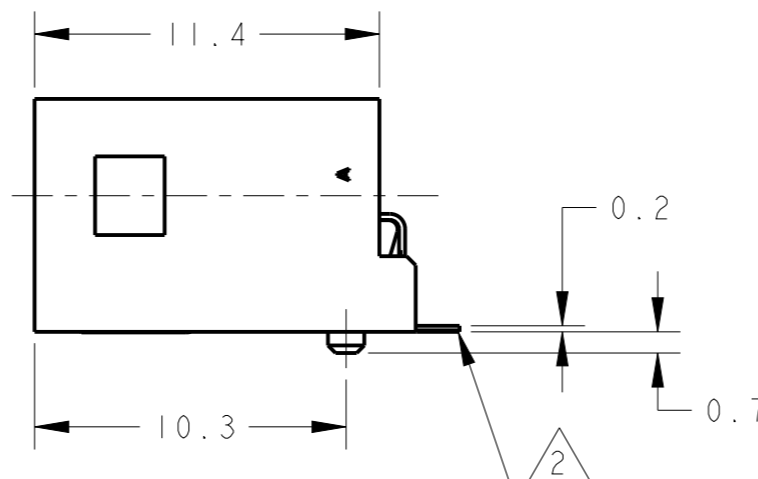
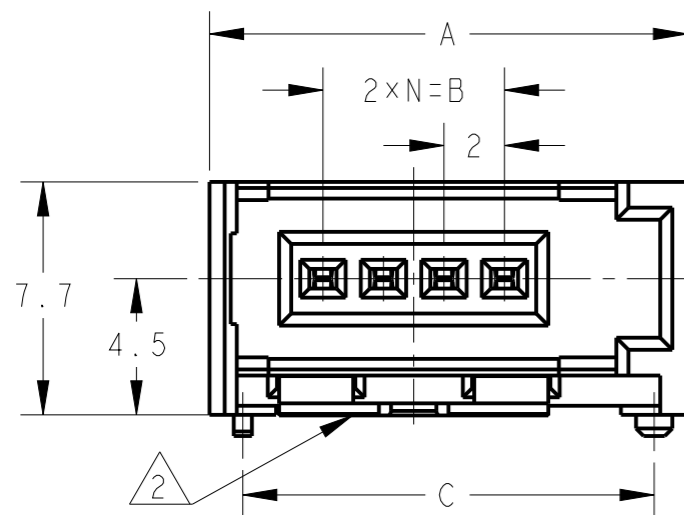


P	LTR	DESCRIPTION	DATE	DWN	APVD
	R	REVISED PER ECR-21-102050	14APR2021	M. J	E. I

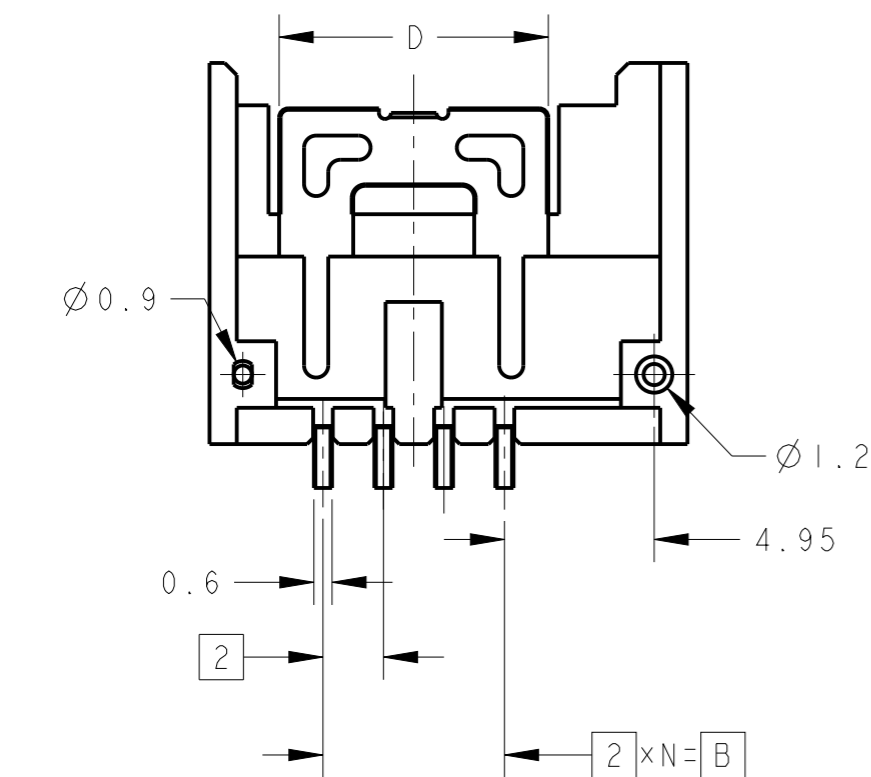


△ 1 MATERIAL & FINISH
 CONTACT: COPPER ALLOY, UNDER Ni PLATING 1.27umMIN
 CONTACT AREA: Au PLATING 0.2umMIN
 TINE AREA: TIN PLATING 1~3um
 HOUSING: THERMO PLASTIC
 SOLDER PEG; COPPER ALLOY, UNDER Ni PLATING 1.27umMIN
 TINE AREA: TIN PLATING 1~3um

△ 2 COPLANARITY OF CONTACT AND SOLDER PEG: 0.1mm MAX.



REFERENCE DIMENSION OF PCB(MOUNTING SIDE)



1565994-3, 4: AS SHOWN

1.1g	0.95g	1.1g	0.95g											
1	1	1	1	SOLDER PEG										3
4	3	4	3	HDR CONTACT										2
1				HSR HSG, 4P, W/O BOSS	10	8.9	-	6	15.8	3	4	1		
	1			HDR HSG, 3P, W/O BOSS	8	6.9	-	4	13.8	2	3	1		
		1		HDR HSG, 4P, WITH BOSS	10	8.9	13.6	6	15.8	3	4	1		
			1	HDR HSG, 3P, WITH BOSS	8	6.9	11.6	4	13.8	2	3	1		
1	-4	1	-3	-4	-3	NAME	E	D	C	B	A	N	POS	ITEM

THIS DRAWING IS A CONTROLLED DOCUMENT.

DWN M. Kimura 18APR2002
 CHK Y. KASHIWA 18APR2002
 APVD Y. KASHIWA 18APR2002

TE TE Connectivity

NAME HDR ASSEMBLY, RIGHT ANGLE SMT TYPE RITS CONNECTOR

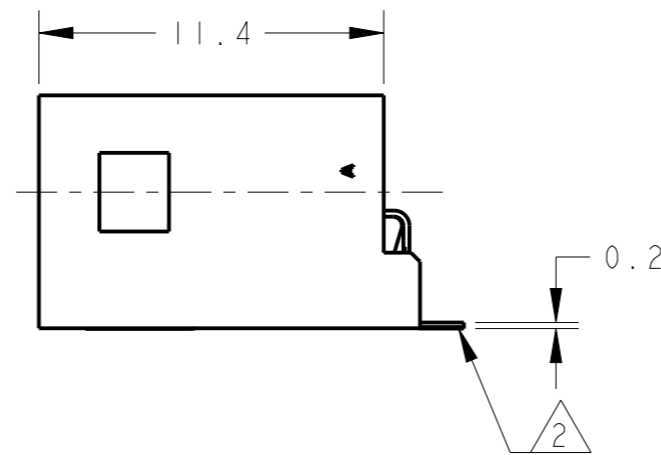
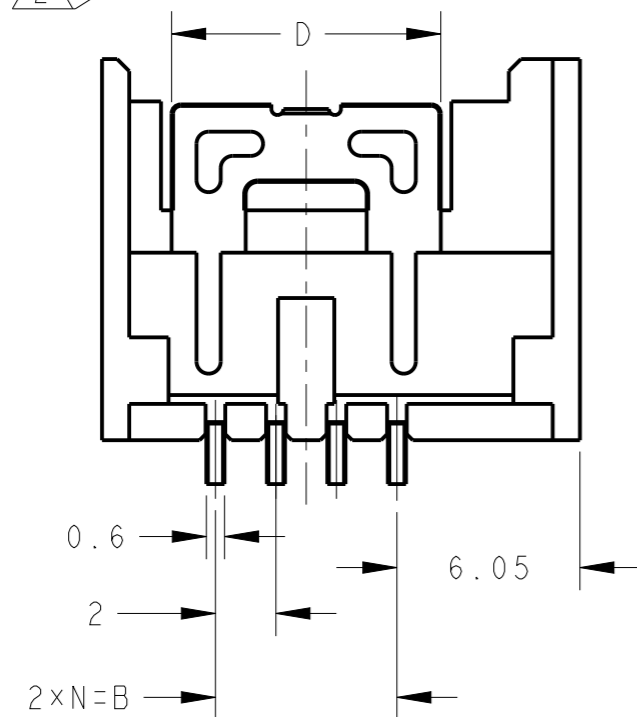
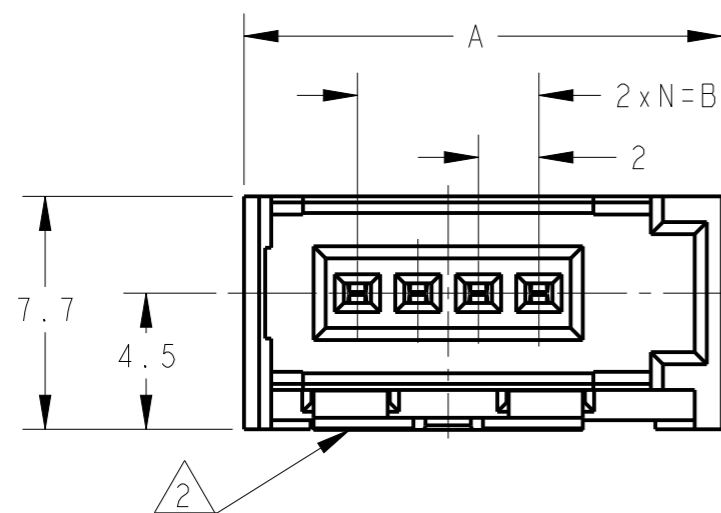
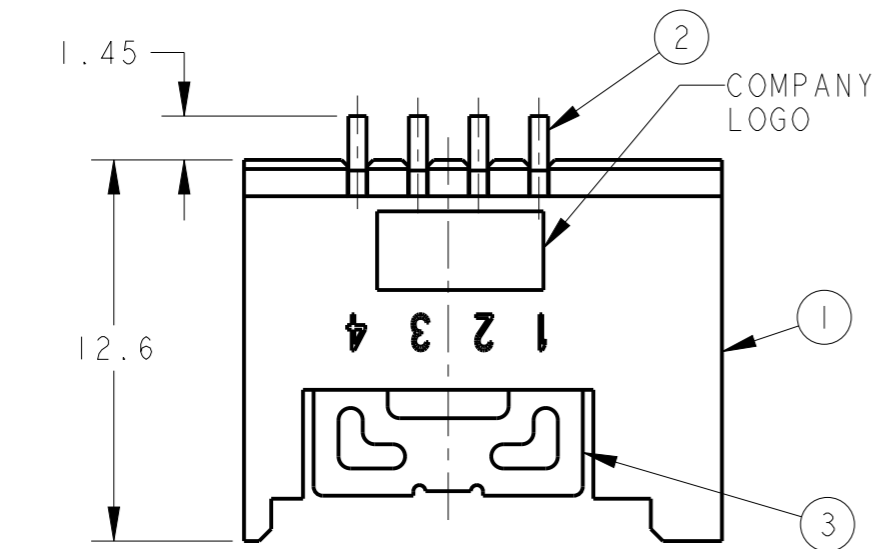
PRODUCT SPEC 108-5765
 APPLICATION SPEC -

SIZE A3 CAGE CODE DRAWING NO C-1565994 RESTRICTED TO -

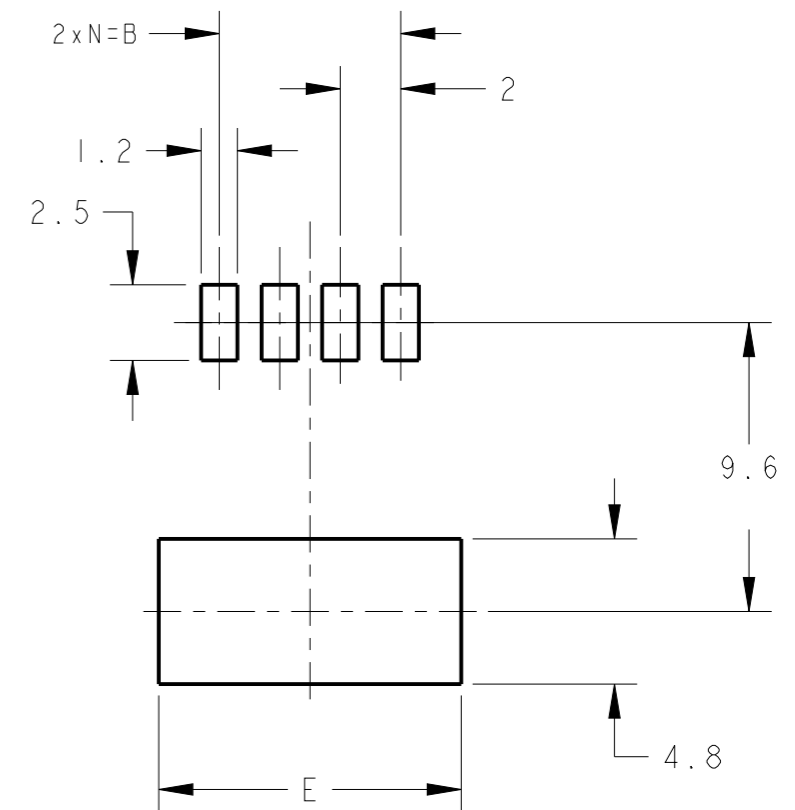
MATERIAL SEE NOTE FINISH SEE NOTE WEIGHT TABLE SCALE 4:1 SHEET 1 OF 3 REV R

CUSTOMER DRAWING

P	LTR	DESCRIPTION	DATE	DWN	APVD
-	-	SEE SHEET 1	-	-	-



1-1565994-3, 4: AS SHOWN

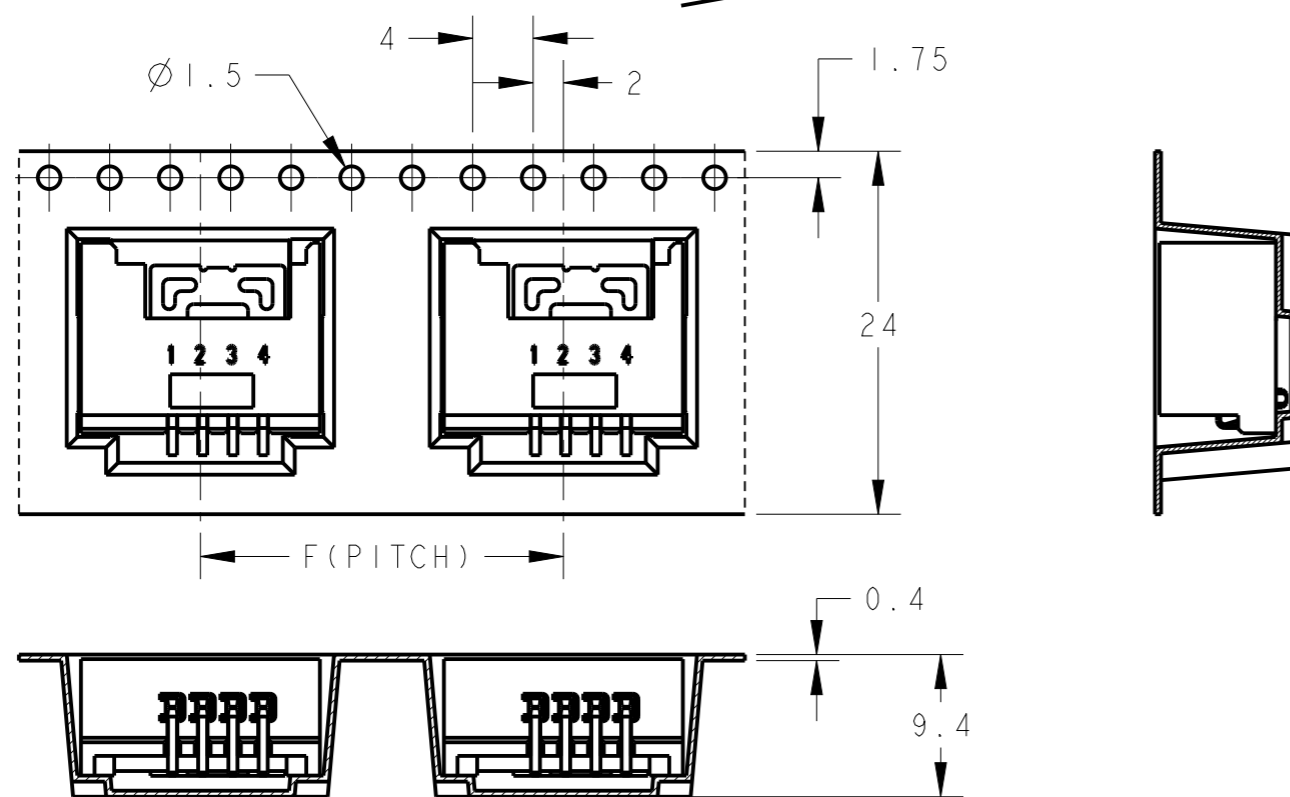


REFERENCE DIMENSION OF PCB(MOUNTING SIDE)

THIS DRAWING IS A CONTROLLED DOCUMENT.		DWN M. Kimura 18APR2002			
DIMENSIONS: mm		CHK Y. KASHIWA 18APR2002			
TOLERANCES UNLESS OTHERWISE SPECIFIED: ±0.25		APVD Y. KASHIWA 18APR2002	NAME HDR ASSEMBLY, RIGHT ANGLE SMT TYPE RITS CONNECTOR		
0 PLC ± 1 PLC ±0.1 2 PLC ±0.01 3 PLC ±0.001 4 PLC ±0.0001 ANGLES ±3°		PRODUCT SPEC 108-5765	SIZE A3	CAGE CODE C-1565994	RESTRICTED TO -
MATERIAL SEE SHEET 1	FINISH SEE SHEET 1	APPLICATION SPEC -	WEIGHT TABLE	DRAWING NO. C-1565994	SCALE 4:1
CUSTOMER DRAWING			SHEET 2	OF 3	REV R

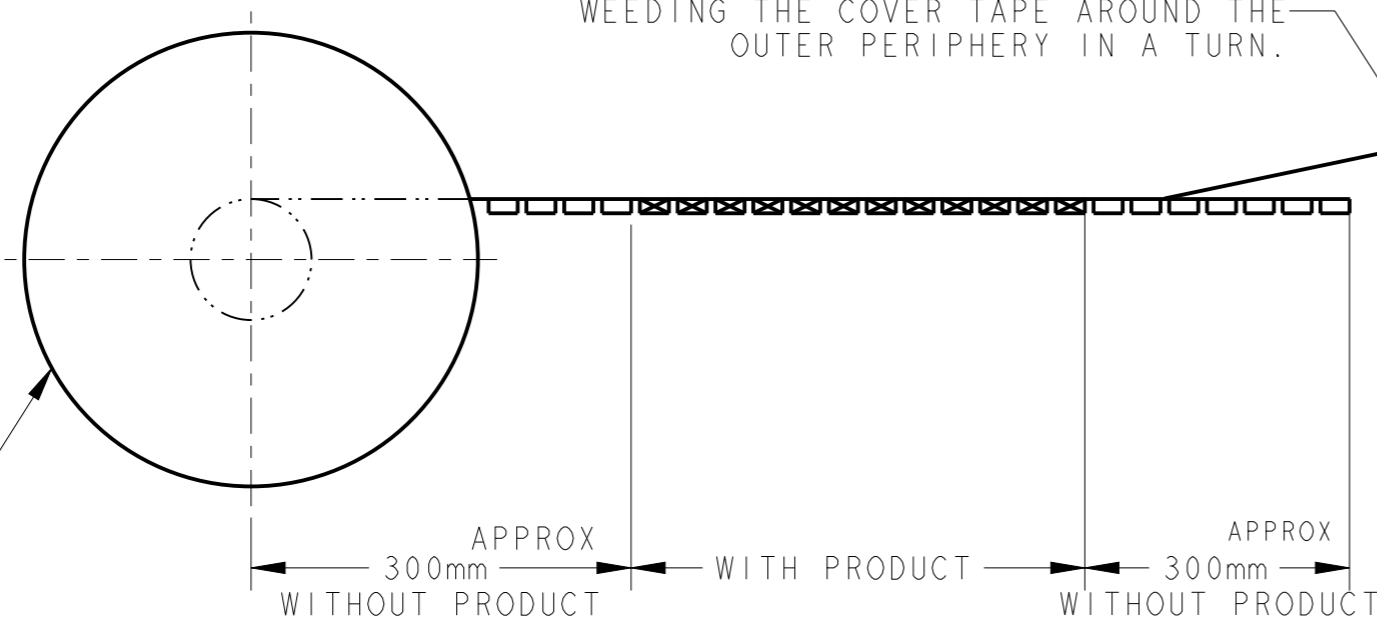
P	LTR	DESCRIPTION	DATE	DWN	APVD
-		SEE SHEET 1	-	-	-

DIRECTION OFF TOP PF REEL →




PACKING STYLE

WEEDING THE COVER TAPE AROUND THE OUTER PERIPHERY IN A TURN.



200	4	24	1-1565994-4
250	3	20	1-1565994-3
200	4	24	1565994-4
250	3	20	1565994-3
QTY	POS	F	PART NO.

REEL SIZE:
330 DIA x 80 DIA (HUB) x 31.5 W (25.5 W INSIDE)

THIS DRAWING IS A CONTROLLED DOCUMENT.		DWN M. Kimura 18APR2002	 TE Connectivity	
DIMENSIONS: mm		CHK Y. KASHIWA 18APR2002		
TOLERANCES UNLESS OTHERWISE SPECIFIED: ± 0.3		APVD Y. KASHIWA 18APR2002	NAME HDR ASSEMBLY, RIGHT ANGLE SMT TYPE RITS CONNECTOR	
0 PLC \pm 1 PLC ± 0.1 2 PLC ± 0.01 3 PLC ± 0.001 4 PLC ± 0.0001 ANGLES $\pm 3^\circ$		PRODUCT SPEC -	RESTRICTED TO -	
MATERIAL SEE SHEET 1		FINISH SEE SHEET 1	APPLICATION SPEC -	SCALE NONE
MATERIAL SEE SHEET 1		FINISH SEE SHEET 1	WEIGHT TABLE	SIZE A3
CUSTOMER DRAWING		DRAWING NO. C-1565994		SHEET 3 OF 3
		REV R		

X-ON Electronics

Largest Supplier of Electrical and Electronic Components

Click to view similar products for [Headers & Wire Housings](#) category:

Click to view products by [TE Connectivity](#) manufacturer:

Other Similar products are found below :

[892-18-020-10-001101](#) [58102-G61-06LF](#) [582553-1](#) [0009485154](#) [009176003701906](#) [0050291907](#) [LY20-4P-DT1-P1E-BR](#) [02.125.8002.8](#)
[609-3404](#) [61062-3](#) [61082-181009](#) [622-3653LF](#) [63453-116](#) [636-1030](#) [636-1427](#) [636-3427](#) [636-4007](#) [641938-9](#) [641991-4](#) [644827-2](#) [65817-](#)
[010LF](#) [65817-015LF](#) [65863-015LF](#) [66207-023LF](#) [67095-007LF](#) [67601157](#) [68645-018](#) [68648-049](#) [70.362.1628.0](#) [70-4210](#) [70-4226B](#) [70-](#)
[4853B](#) [707-5020](#) [707-5028](#) [71.350.2428.0](#) [71918-208LF](#) [71961-016LF](#) [733-134](#) [733-162](#) [754199-000](#) [760-3052](#) [787-8014-00](#) [79531-3000](#)
[FCN-360C032-B](#) [FCN-367T-T012/H](#) [FCN-723D010/2](#) [80.063.4001.1](#) [800-90-001-10-001000](#) [800-90-010-10-002000](#) [801-43-002-10-013000](#)