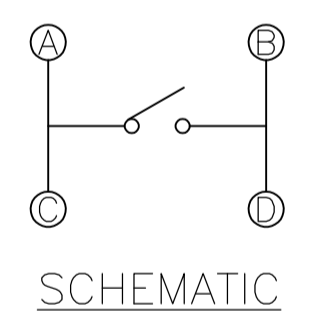
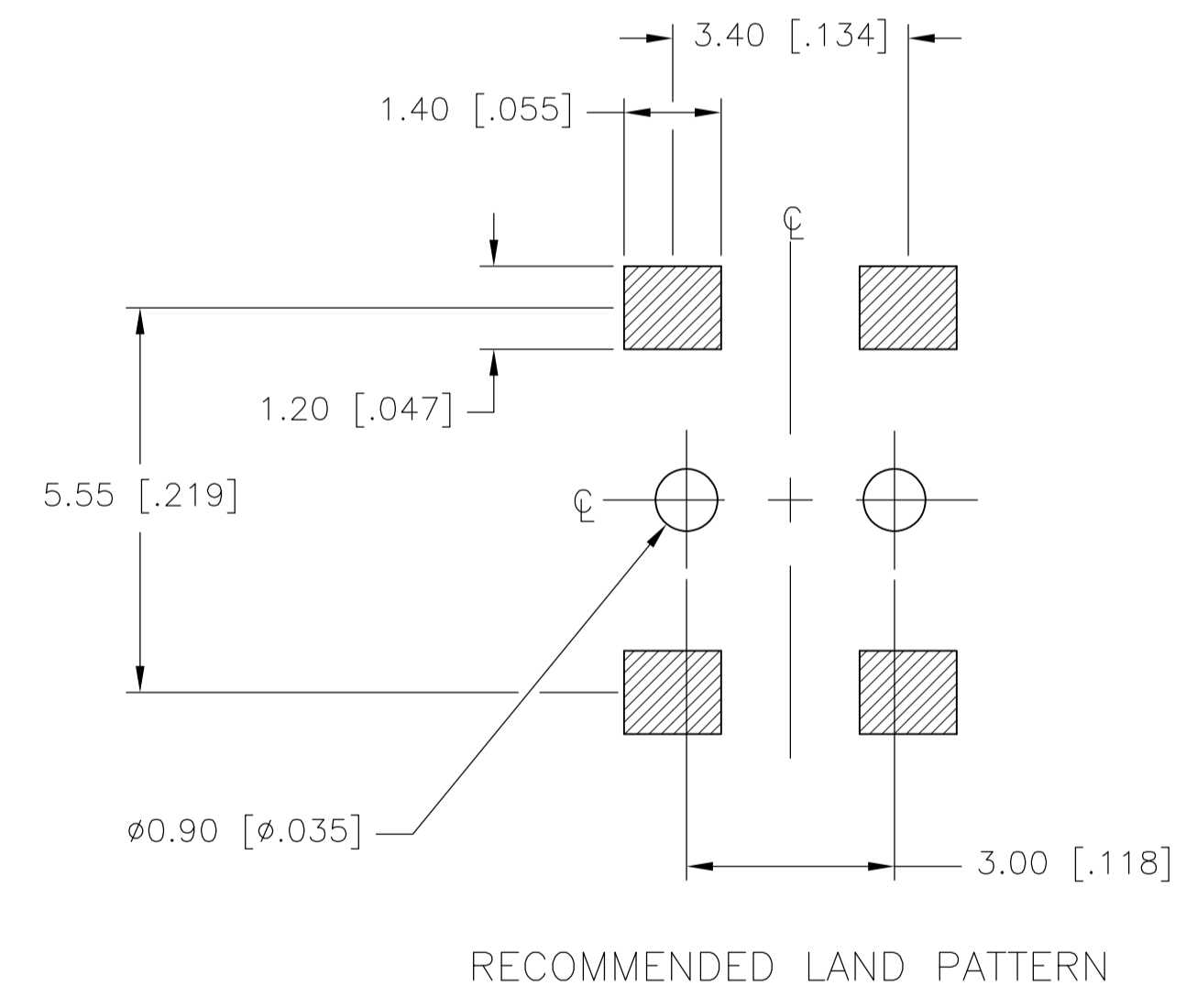
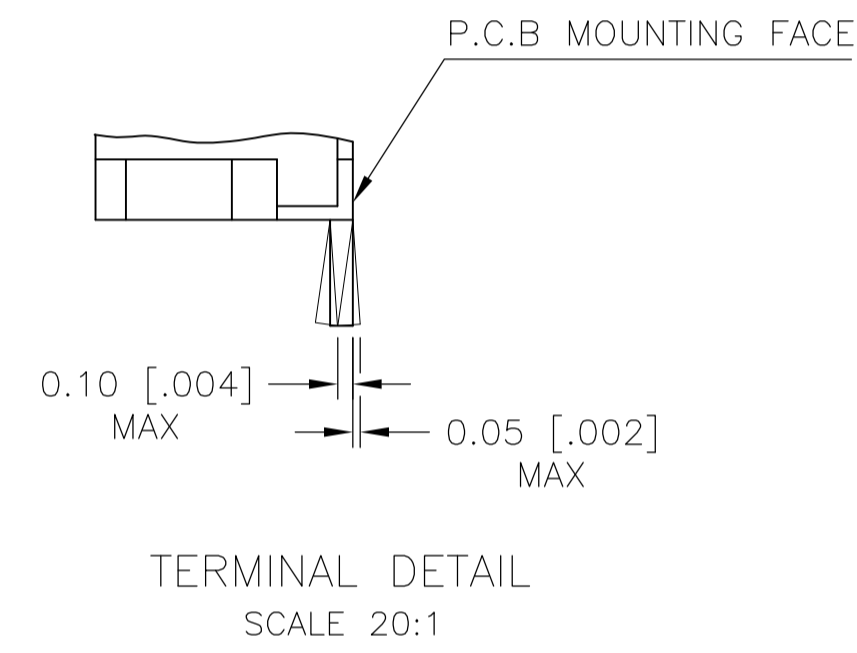
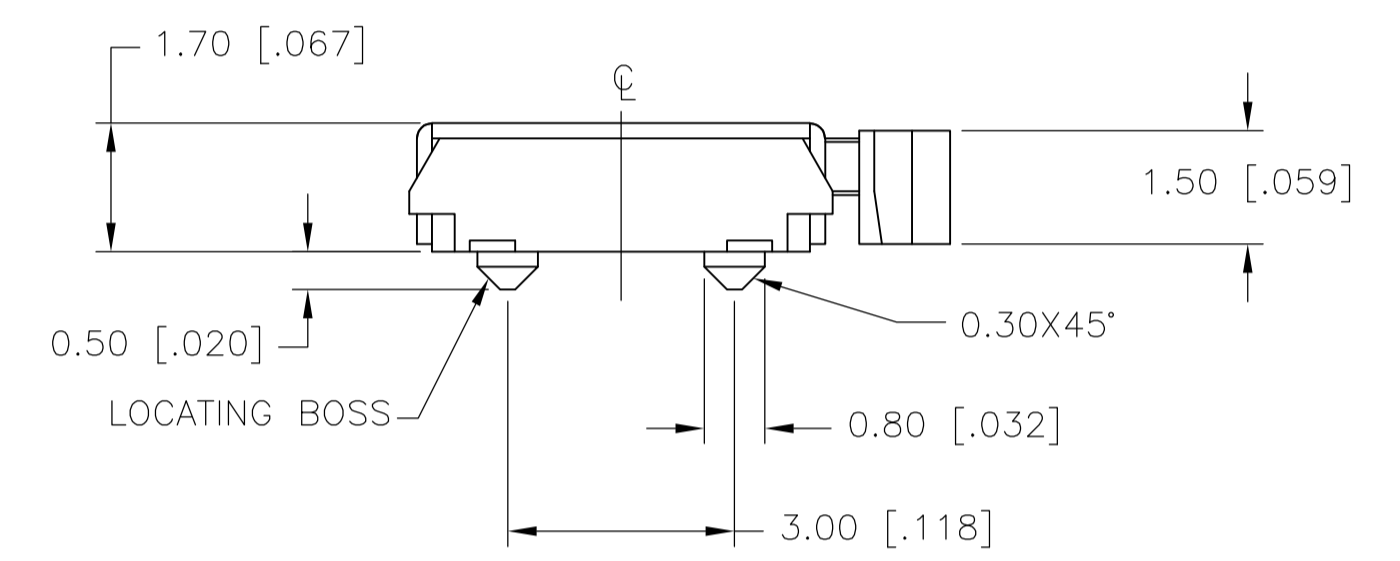
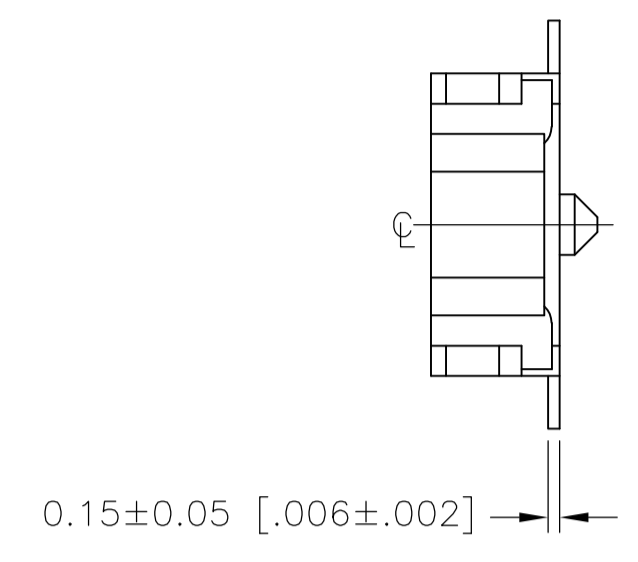
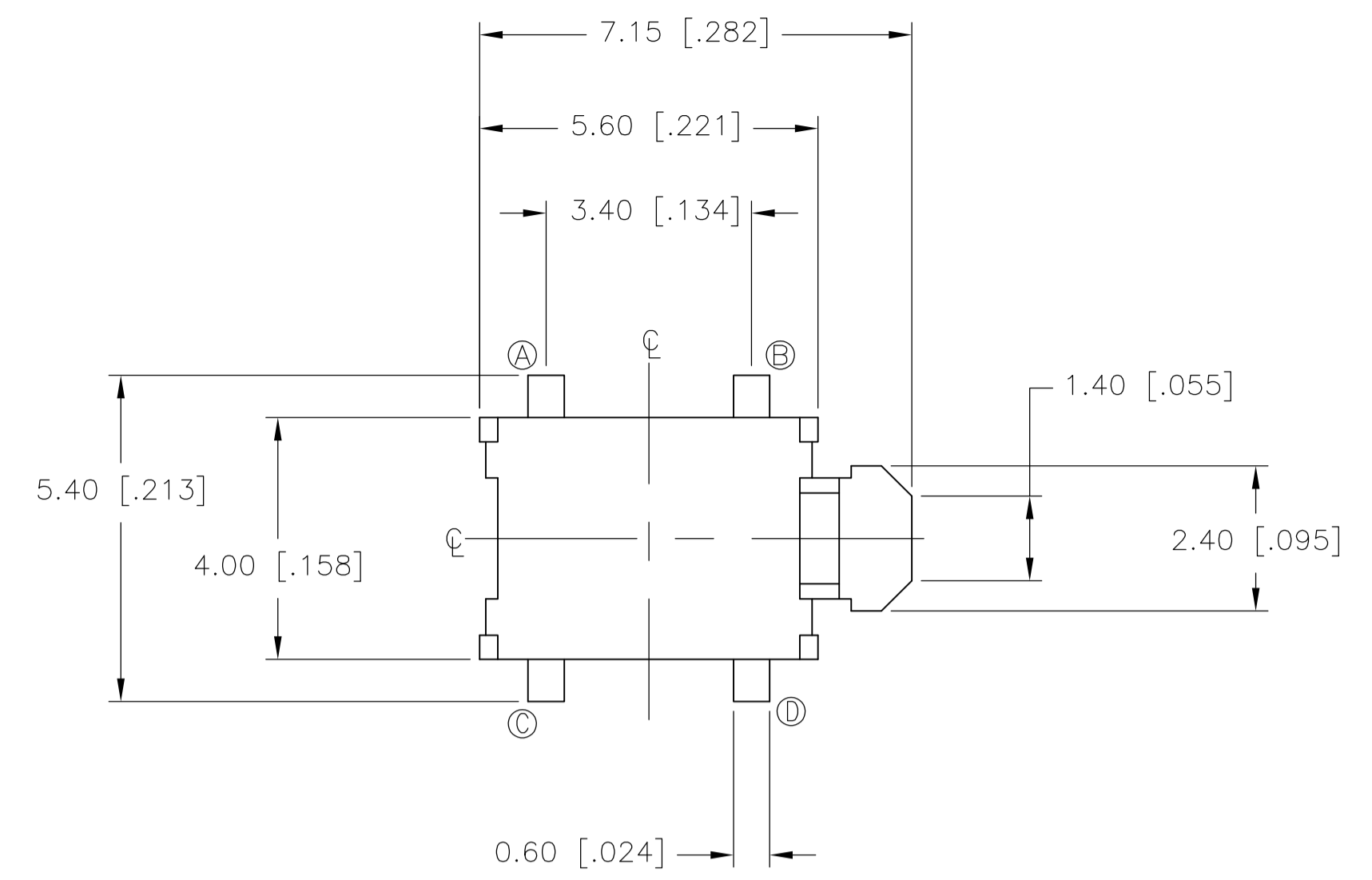


LOC		DIST		REVISIONS			
P	LTR	DESCRIPTION	DATE	DNW	APVD		
C1		REVISED PER ECO-11-005027	11MAR11	RK	HMR		



SPECIFICATIONS:

MATERIALS:
 COVER: STAINLESS STEEL
 ACTUATOR: LCP, BLACK
 CASE: LCP, SEE P/N TABLE FOR FINISH
 STOP: LCP, BLACK
 CONTACT PLATE: STAINLESS STEEL, SILVER PLATE
 TERMINAL: COPPER ALLOY, SILVER OVER NICKEL PLATE

ELECTRICAL:
 CONTACT RATING, 50MA@12VDC, PER EIA-448, METHOD 6
 INITIAL CONTACT RESISTANCE, 500 MILLIOHMS MAX, PER EIA-364-23B, EACH POSITION
 INSULATION RESISTANCE, 100 MEGOHM MIN. PER EIA-364-21C EACH POSITION
 DIELECTRIC STRENGTH, 250 V AC FOR 1 MINUTE PER EIA-364-20B, CONDITION 1, EACH POSITION.
 BOUNCE, 10MILLISECOND MAX

MECHANICAL:
 ACTUATION FORCE, 220 +/-50 GF
 ACTUATION TRAVEL, .25 +/-0.15
 LIFE EXPECTANCY, 50,000 CYCLES (120-180 CYCLES PER MINUTE), PER EIA-448 METHODS 8 AND 9
 VIBRATION, PER EIA 364-28D, CONDITION VII, LEVEL E
 MECHANICAL SHOCK, PER EIA-364-27C, CONDITION A

ENVIRONMENTAL:
 OPERATING TEMPERATURE, -20 TO +70 DEGREES C, PER EIA-448, METHOD 10
 STORAGE TEMPERATURE, -30 TO +80 DEGREES C
 HUMIDITY AND TEMPERATURE CYCLING PER EIA-364-31B, METHOD III
 THERMAL SHOCK, PER EIA-364-32C, -30 TO +80 DEGREES C
 SOLDERABILITY, PER EIA-364-52, CLASS 2, CATEGORY 1, TEMP, 245 DEGREES C MAX, TIME, 2.5 SECONDS MAX, 95% MINIMUM COVERAGE
 RESISTANCE TO SOLDER HEAT PER 109-201, CONDITION B

- NOTES:**
- ALL MATERIALS AND FINISHES SHALL COMPLY WITH EU DIRECTIVE 2002/95/EC OF 27JAN2003 (ROHS).
 - PACKAGING: TAPE AND REEL PACKAGING PER EIA 481.

3300	8MM	16MM	BLACK	W BOSS	T&R	1571262-4
N/A	N/A	N/A	BLACK	W BOSS	BULK	1571262-3
3300	8MM	16MM	WHITE	W/O BOSS	T&R	1571262-2
N/A	N/A	N/A	WHITE	W/O BOSS	BULK	1571262-1
QTY/REEL	PITCH	TAPE WIDTH	CASE COLOR	FEATURES	PACKAGING	PART NO.

THIS DRAWING IS A CONTROLLED DOCUMENT.

DIMENSIONS: mm [INCHES]	TOLERANCES UNLESS OTHERWISE SPECIFIED:	0 PLC ± -	1 PLC ± -	2 PLC ± 0.30 [.012]	3 PLC ± -	4 PLC ± -	ANGLES ± -
MATERIAL SEE SPECIFICATIONS	FINISH -	WEIGHT -	SIZE A1	CAGE CODE 00779	DRAWING NO. 1571262	RESTRICTED TO -	

CUSTOMER DRAWING SCALE 10:1 SHEET 1 OF 1 REV C1

X-ON Electronics

Largest Supplier of Electrical and Electronic Components

Click to view similar products for [Tactile Switches](#) category:

Click to view products by [TE Connectivity](#) manufacturer:

Other Similar products are found below :

[5GTH92001](#) [1-1977120-4](#) [ADTSA62NV](#) [ADTSA62RV](#) [ADTSA63KV](#) [ADTSA644NV](#) [ADTSMW66NV](#) [ADTSMW67RV](#) [B3F-3123](#) [B3F-6055A](#) [B3F-B32-01-KIT](#) [1977177-8](#) [1977266-1](#) [ADTS644KV](#) [ADTSA61RV](#) [ADTSA62KV](#) [ADTSA63NV](#) [ADTSA63RV](#) [ADTSM21NSVTR](#) [ADTSM32NVTR](#) [ADTSM63SVTR](#) [ADTSM644KVTR](#) [ADTSMW64RV](#) [ADTSMW69NV](#) [FSMRA4JHA04](#) [GS4.70F300QP](#) [3ESH9R](#) [506E00201](#) [MJTP1164TR](#) [3FTL600RAS](#) [3FTL640RAS](#) [Y96K132V0FPLFS](#) [101-TS5022T1601-EV](#) [5GSH92001](#) [KSJ0A231](#) [80SH LFG](#) [ADTSM31NVTR](#) [EVQ-P1D05K](#) [MJTP1162TR](#) [ADTSM63KV](#) [2-1977120-7](#) [TSJW-5.2-260-TR](#) [KMT011MNGJLHS](#) [B3WN6002S](#) [ADTSA648RV](#) [70-201.0](#) [ADTSG648NV](#) [ADTSM62KSVTR](#) [ATA600VTR](#) [ADTSG66RV](#) [ADTS61NV](#)