

THIS DRAWING IS UNPUBLISHED. RELEASED FOR PUBLICATION  
 © COPYRIGHT - By - ALL RIGHTS RESERVED.

REVISIONS					
P	LTR	DESCRIPTION	DATE	DWN	APVD
	G5	REVISED PER ECO-17-002273	10OCT2017	RK	AS

SPECIFICATIONS

MATERIALS

CASE: THERMOPLASTIC, UL94V-0, BLACK  
 ACTUATOR: THERMOPLASTIC, UL94V-0, SEE TABLE  
 COVER: NICKEL SILVER  
 SEAL: SILICON RUBBER, BLACK  
 CONTACT: STAINLESS STEEL, PLATING-SILVER  
 TERMINAL: BRASS, PLATING-SILVER/NICKEL

ELECTRICAL

MAX CONTACT RATING: 50MILLIAMPS@24V DC  
 MIN CONTACT RATING: 10MICROAMPS@1V DC  
 INITIAL CONTACT RESISTANCE: 100 MILLIOHMS MAX, PER EIA RS-448, METHOD 1  
 INSULATION RESISTANCE: 100 MEGOHMS MIN @ 100VDC PER EIA RS-186-13E  
 DIELECTRIC STRENGTH: 500 VAC 50/60 HZ FOR 1 MINUTE  
 CONTACT BOUNCE: 10 MILLISECOND MAX PER EIA-448-18, METHOD 15

MECHANICAL

ACTUATOR OPERATING FORCE: SEE TABLE  
 ACTUATOR TRAVEL: 0.35±0.2mm

DURABILITY

UP TO 1,000,000 CYCLES, AT RATED LOAD PER EIA-RS-448, METHOD 8  
 FINAL CONTACT RESISTANCE: 200 MILLIOHMS MAX  
 CONTACT BOUNCE: 20 MILLISECONDS MAX  
 ACTUATOR FORCE: WITHIN ±30% OF INITIAL VALUE

ENVIRONMENTAL

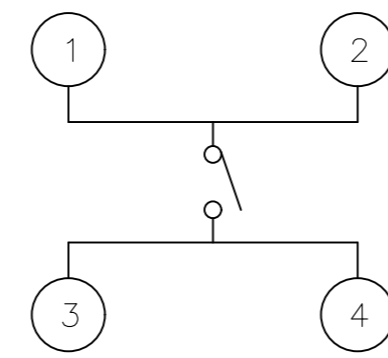
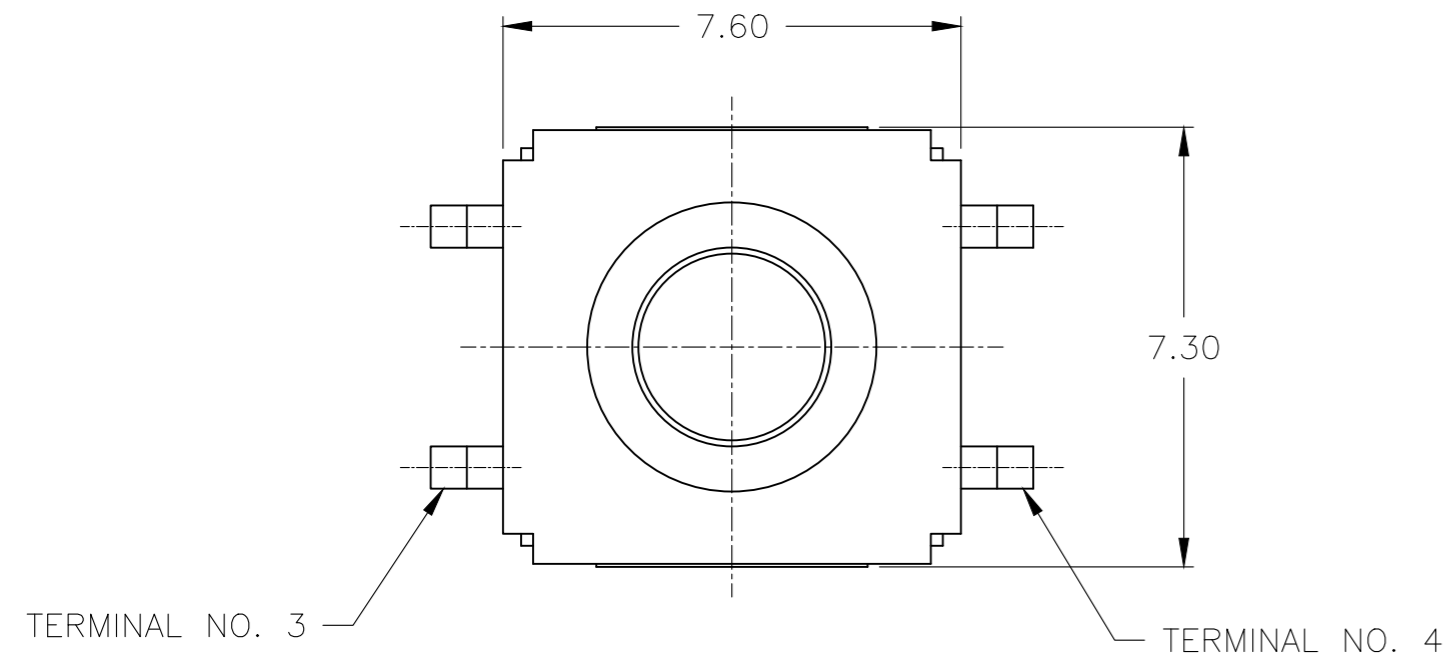
OPERATING TEMPERATURE RANGE: -35°C to +85°C  
 STORAGE TEMPERATURE RANGE: -35°C to +85°C  
 HUMIDITY: 96 HOURS PER EIA-186-1E  
 INSULATION RESISTANCE: 10 MEGOHMS MIN  
 DIELECTRIC STRENGTH: 250VAC  
 CONTACT RESISTANCE: 100 MILLIOHMS MAX  
 DRY HEAT TEST: 85°C FOR 96 HOURS PER IEC 60068-2-2, TEST B,  
 NO CHANGE IN INITIAL ELECTRICAL AND MECHANICAL CHARACTERISTICS  
 COLD TEST: -35°C FOR 96 HOURS PER IEC 60068-2-1, TEST A;  
 NO CHANGE IN INITIAL ELECTRICAL AND MECHANICAL CHARACTERISTICS  
 THERMAL CYCLING: 5 CYCLES, -35°C to +85°C  
 HUMIDITY-TEMPERATURE CYCLING, EIA 364-31B, METHOD III  
 CONTACT RESISTANCE 100 MILLIOHMS MAX  
 RESISTANCE TO SOLDERING HEAT PER 109-201, COND B

SEALING PER IP67

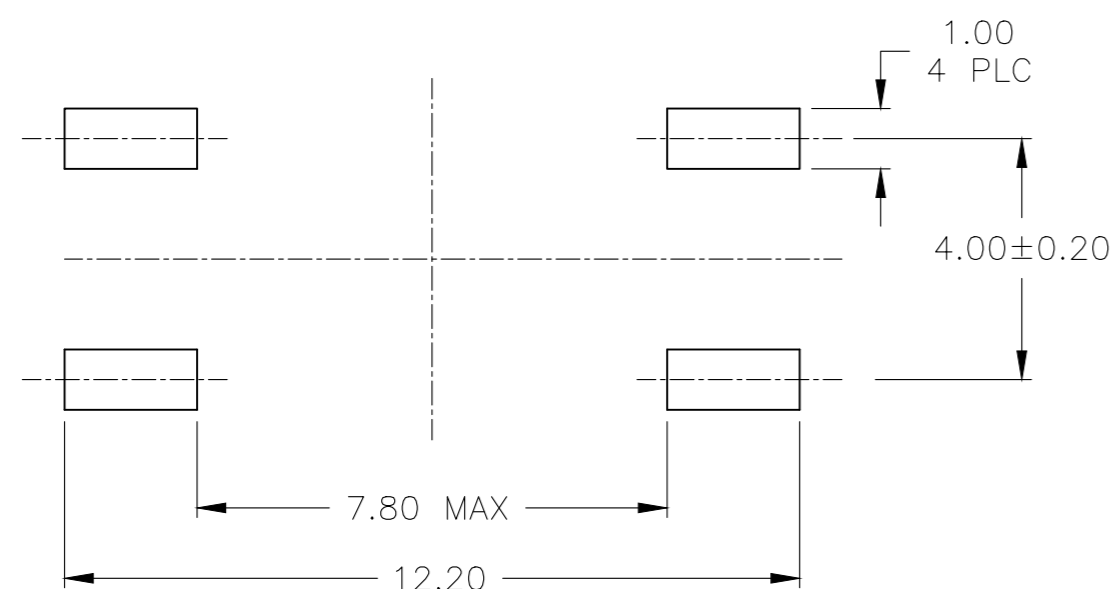
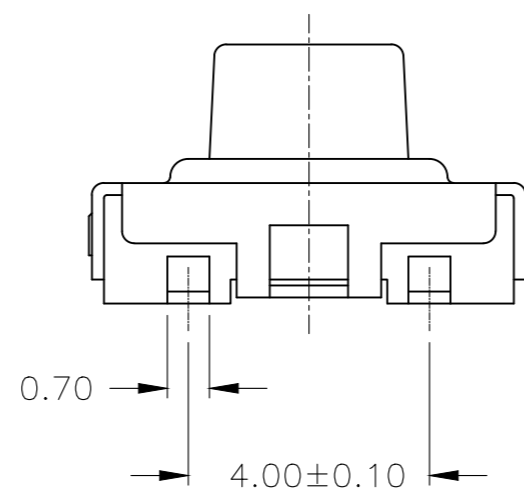
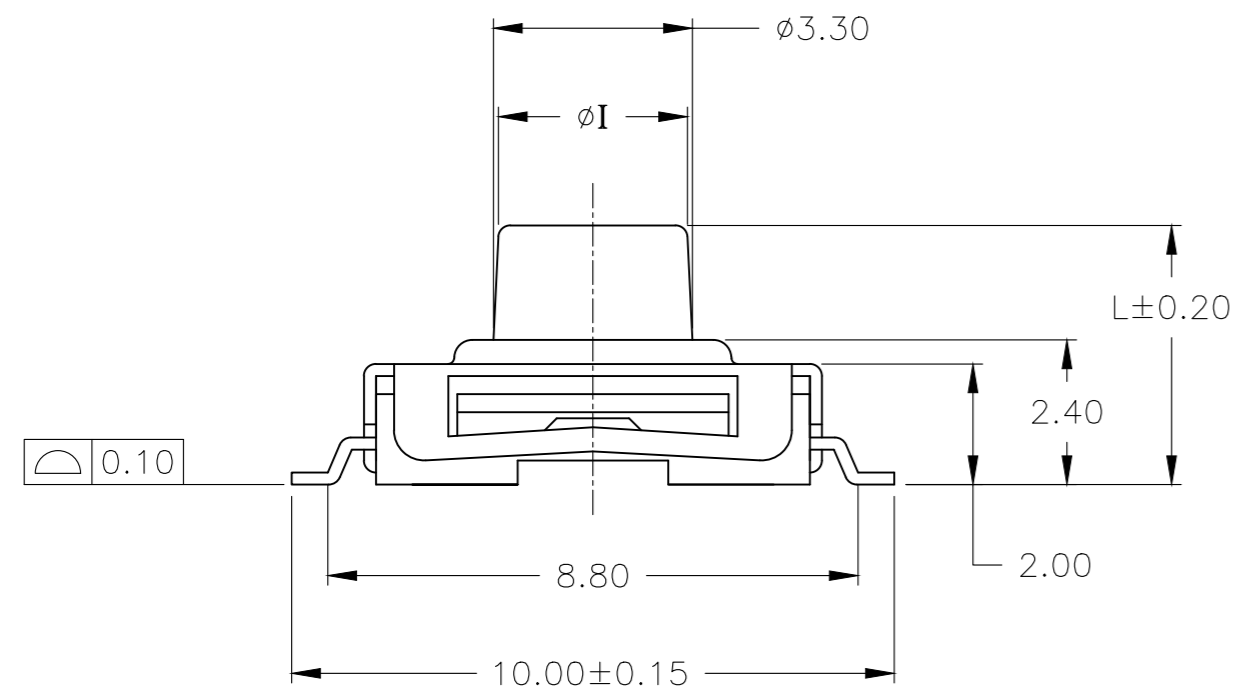
SOLDERABILITY: PER EIA-364-52, CLASS 1, CATEGORY 2

1 PARTS TO BE PACKAGED ON TAPE AND REEL PER EIA-481

2 ALL MATERIALS AND FINISHES SHALL COMPLY WITH EU DIRECTIVE 2002/95/EC OF 27JAN2003 (ROHS)



CIRCUIT DIAGRAM



P.C.B MOUNTING SOLDER LAND DIMENSION

1	T&R	Blue	260 +/-50gf	3.10mm	4.50mm	1571294-8
1	T&R	Ivory	160 +/-50gf	3.10mm	4.50mm	1571294-7
1	OBSOLETE	T&R	RED	260 +/-50gf	3.10mm	4.30mm
		BULK	RED	260 +/-50gf	3.10mm	4.30mm
1		T&R	Black	160 +/-50gf	3.10mm	5.00mm
		BULK	Black	160 +/-50gf	3.10mm	5.00mm
1		T&R	Black	160 +/-50gf	3.10mm	4.30mm
		BULK	Black	160 +/-50gf	3.10mm	4.30mm
	Packaging	Actuator Color	Operating force	DIM I	Dim L	PART NUMBER

THIS DRAWING IS A CONTROLLED DOCUMENT.		DWN R BROWN 09DEC02	TE Connectivity SWITCH ASSEMBLY, TACTILE, 6mm SEALED, SMT			
DIMENSIONS: mm		CHK M SARVER 09DEC02				
TOLERANCES UNLESS OTHERWISE SPECIFIED:		APVD M SARVER 09DEC02	NAME			
0 PLC ± -		PRODUCT SPEC	SIZE			
1 PLC ± -		APPLICATION SPEC	CAGE CODE			
2 PLC ± 0.30			DRAWING NO			
3 PLC ± -			RESTRICTED TO			
4 PLC ± -			SCALE			
ANGLES ± -			SHEET			
FINISH		WEIGHT 0.000000	REV			
		CUSTOMER DRAWING		G5		

## X-ON Electronics

Largest Supplier of Electrical and Electronic Components

*Click to view similar products for [Tactile Switches](#) category:*

*Click to view products by [TE Connectivity](#) manufacturer:*

Other Similar products are found below :

[5GTH92001](#) [1-1977120-4](#) [ADTSA62RV](#) [ADTSA63KV](#) [ADTSA644NV](#) [ADTSMW66NV](#) [ADTSMW67RV](#) [B3F-3123](#) [B3F-6055A](#) [B3F-B32-01-KIT](#) [1977177-8](#) [1977266-1](#) [ADTS644KV](#) [ADTSA61RV](#) [ADTSA62KV](#) [ADTSA63NV](#) [ADTSA63RV](#) [ADTSM21NSVTR](#) [ADTSM32NVTR](#) [ADTSM63SVTR](#) [ADTSM644KVTR](#) [ADTSMW64RV](#) [ADTSMW69NV](#) [FSMRA4JHA04](#) [GS4.70F300QP](#) [3ESH9R](#) [506E00201](#) [MJTP1164TR](#) [3FTL600RAS](#) [3FTL640RAS](#) [Y96K132V0FPLFS](#) [101-TS5022T1601-EV](#) [5GSH92001](#) [KSJ0A231](#) [80SH](#) [LFG](#) [EVQ-P1D05K](#) [MJTP1162TR](#) [ADTSM63KV](#) [TSJW-5.2-260-TR](#) [KMT011MNGJLHS](#) [B3WN6002S](#) [ADTSA648RV](#) [70-201.0](#) [ADTSG648NV](#) [ADTSM62KSVTR](#) [ATA600VTR](#) [ADTSG66RV](#) [ADTS61NV](#) [ADTSM62KVTR](#) [ADTSM25KSVB](#) [ADTS65RV](#)