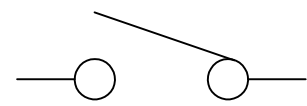
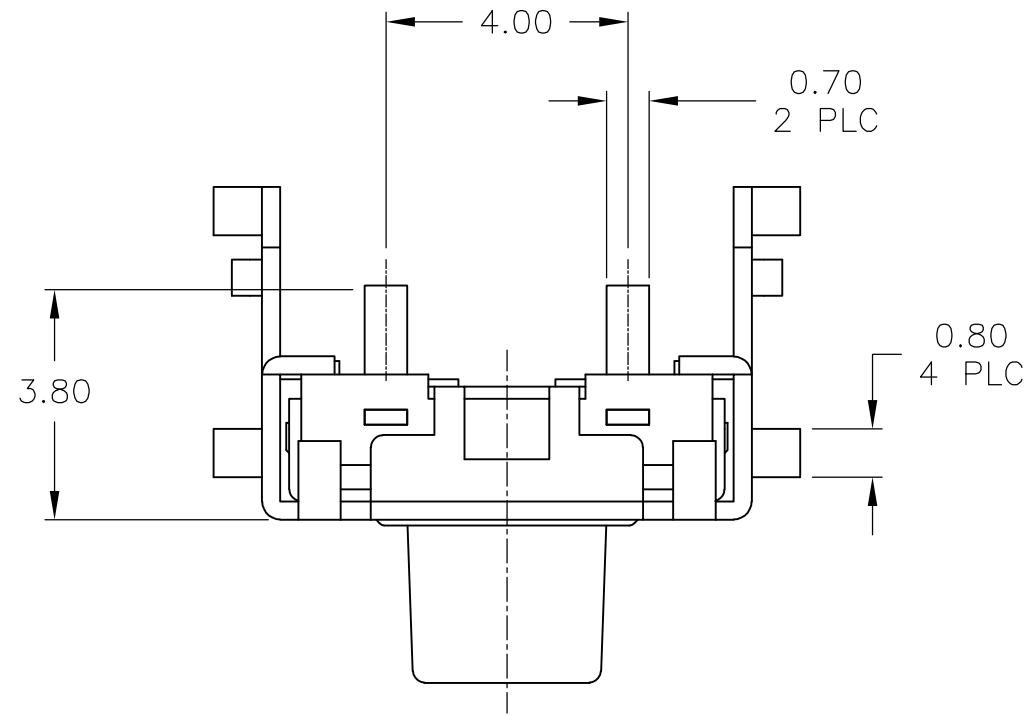


THIS DRAWING IS UNPUBLISHED. RELEASED FOR PUBLICATION
 © COPYRIGHT - By - ALL RIGHTS RESERVED.

LOC		DIST		REVISIONS			
P	LTR	DESCRIPTION	DATE	DWN	APVD		
AD	00						
	K	REVISED PER ECO-15-011477	13AUG2015	NK	RH		



CIRCUIT DIAGRAM

SPECIFICATIONS

MATERIALS

CASE: THERMOPLASTIC, UL94V-0, BLACK
 ACTUATOR: THERMOPLASTIC, UL94V-0, BLACK
 COVER: NICKEL SILVER
 SEAL: SILICON RUBBER, BLACK
 CONTACT: STAINLESS STEEL, PLATING-SILVER
 TERMINAL: BRASS, PLATING-SILVER/NICKEL
 BRACKET: CARBON STEEL, PLATING-TIN/NICKEL

ELECTRICAL

MAX CONTACT RATING: 50MILLIAMPS@24V DC
 MIN CONTACT RATING: 10MICROAMPS@1V DC
 INITIAL CONTACT RESISTANCE: 100 MILLIOHMS MAX, PER EIA RS-448, METHOD 1
 INSULATION RESISTANCE: 100 MEGOHMS MIN @ 100VDC PER EIA RS-186-13E
 DIELECTRIC STRENGTH: 500 VAC 50/60 Hz FOR 1 MINUTE PER EIA RS-186-4E
 CONTACT BOUNCE: 10 MILLISECOND MAX PER EIA-448-18, METHOD 15

MECHANICAL

ACTUATOR OPERATING FORCE: SEE TABLE
 ACTUATOR TRAVEL: 0.35±0.2mm

DURABILITY

UP TO 1,000,000 CYCLES, AT RATED LOAD PER EIA-RS-448, METHOD 8
 FINAL CONTACT RESISTANCE: 200 MILLIOHMS MAX
 CONTACT BOUNCE: 20 MILLISECONDS MAX
 ACTUATOR FORCE: WITHIN ±30% OF INITIAL VALUE

ENVIRONMENTAL

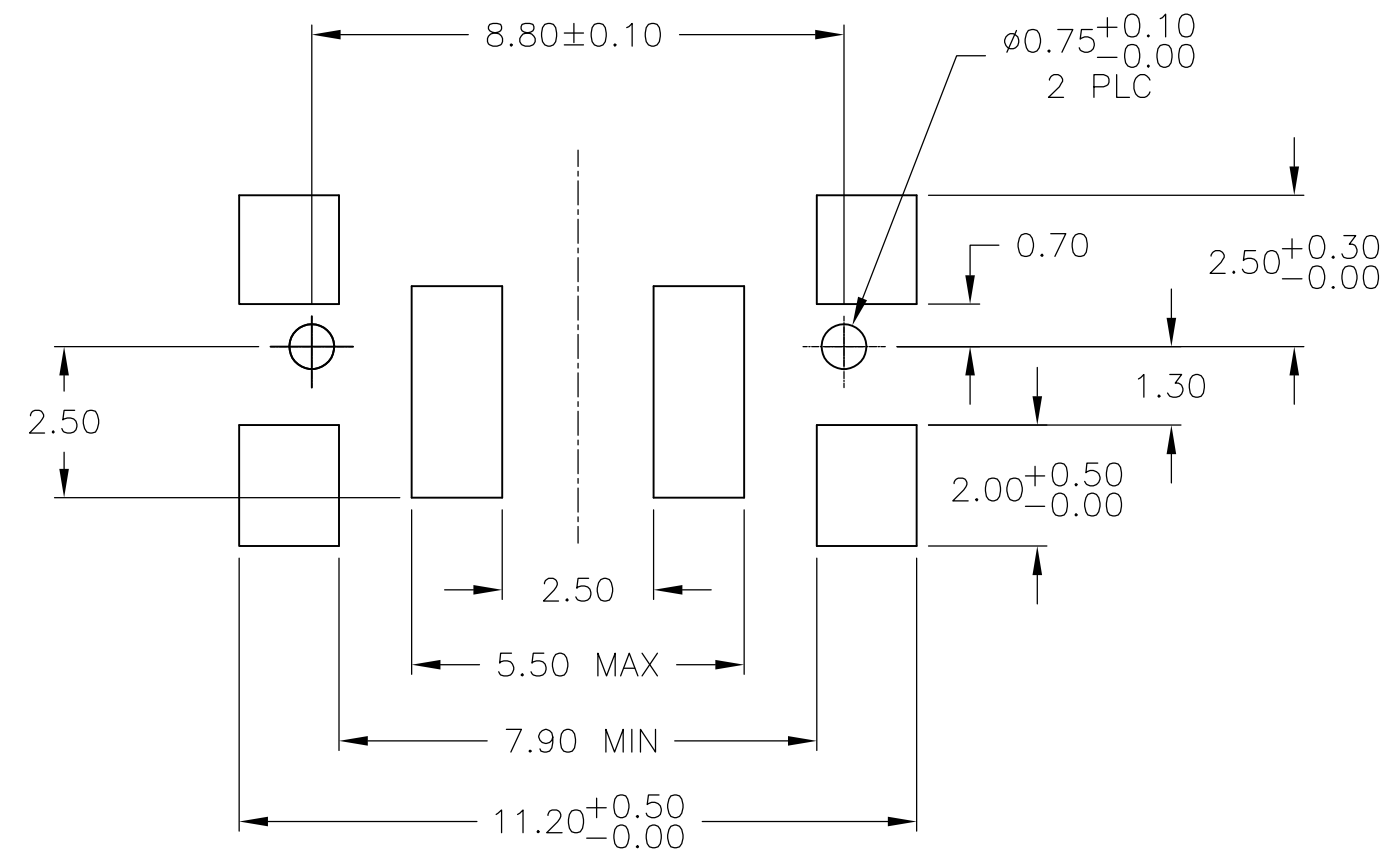
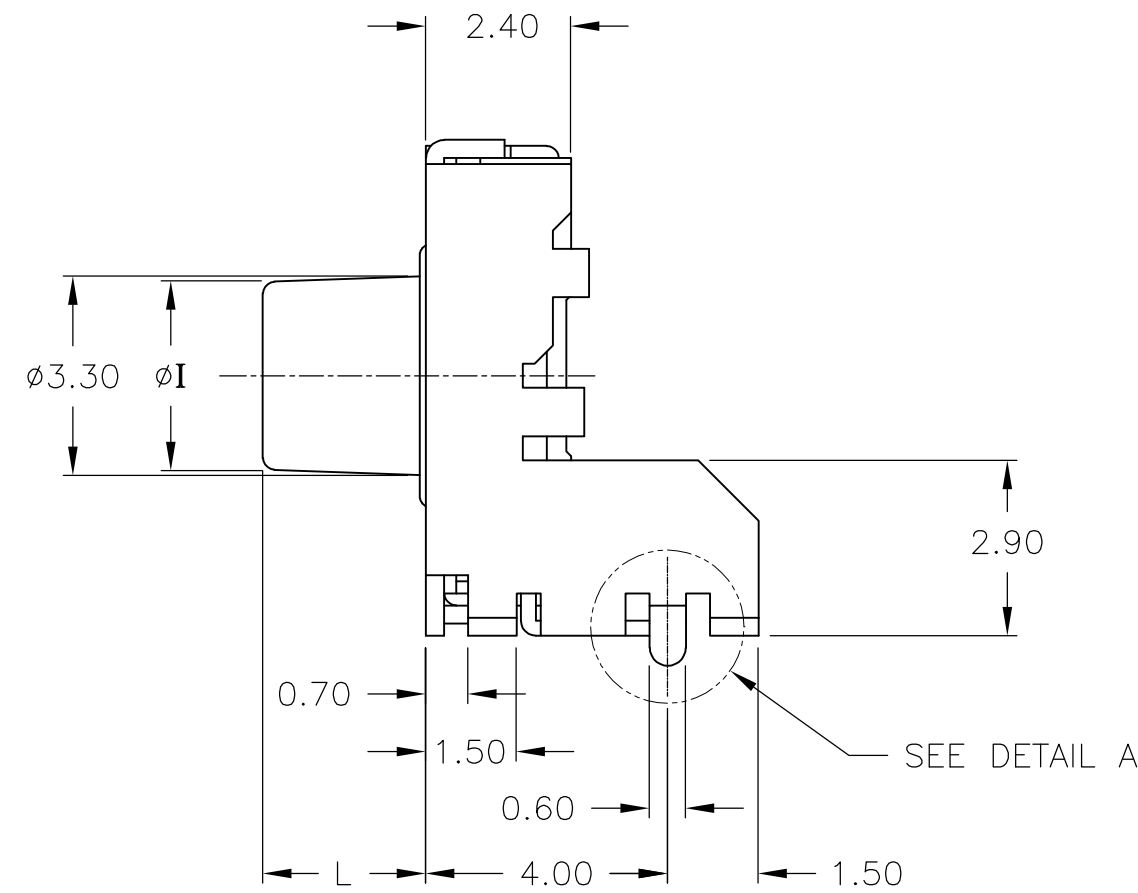
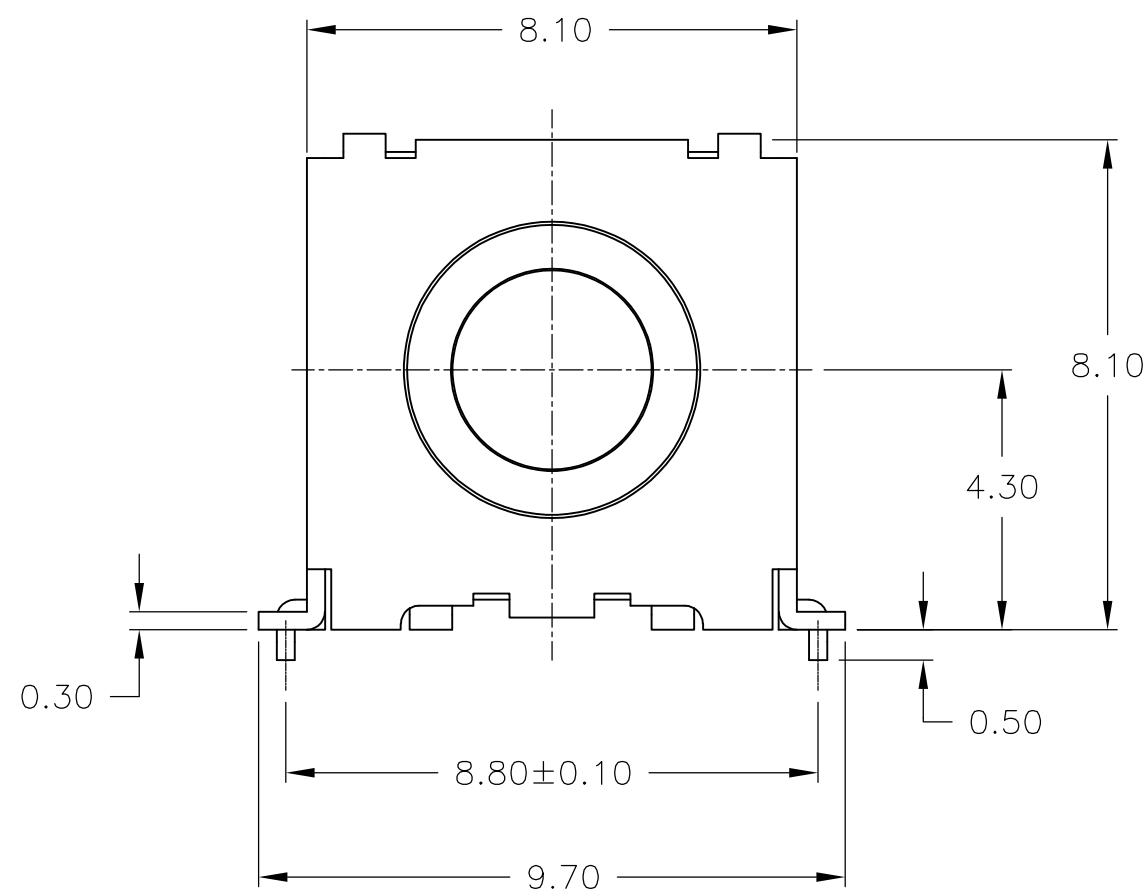
OPERATING TEMPERATURE RANGE: -35°C to +85°C
 STORAGE TEMPERATURE RANGE: -35°C to +85°C
 HUMIDITY: 96 HOURS PER EIA-186-1E
 INSULATION RESISTANCE: 10 MEGOHMS MIN
 DIELECTRIC STRENGTH: 250VAC
 CONTACT RESISTANCE: 100 MILLIOHMS MAX
 DRY HEAT TEST: 85°C FOR 96 HOURS PER IEC 60068-2-2, TEST B,
 NO CHANGE IN INITIAL ELECTRICAL AND MECHANICAL CHARACTERISTICS
 COLD TEST: -35°C FOR 96 HOURS PER IEC 60068-2-1, TEST A;
 NO CHANGE IN INITIAL ELECTRICAL AND MECHANICAL CHARACTERISTICS
 THERMAL CYCLING: 5 CYCLES, -35°C to +85°C
 HUMIDITY-TEMPERATURE CYCLING, EIA 364-31B, METHOD III
 CONTACT RESISTANCE 100 MILLIOHMS MAX
 RESISTANCE TO SOLDERING HEAT PER 109-202, COND B

SOLDERABILITY: PER EIA RS-186-9E

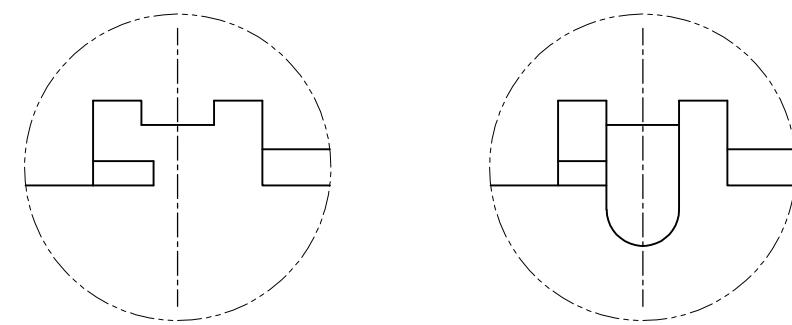
SEALED PER IP67

NOTES:

- ALL MATERIALS AND FINISHES SHALL COMPLY WITH EU DIRECTIVE 2002/95/EC OF 27JAN2003 (ROHS)



P.C.B MOUNTING SOLDER LAND DIMENSION



WITHOUT GUIDE PIN WITH GUIDE PIN

DETAIL A

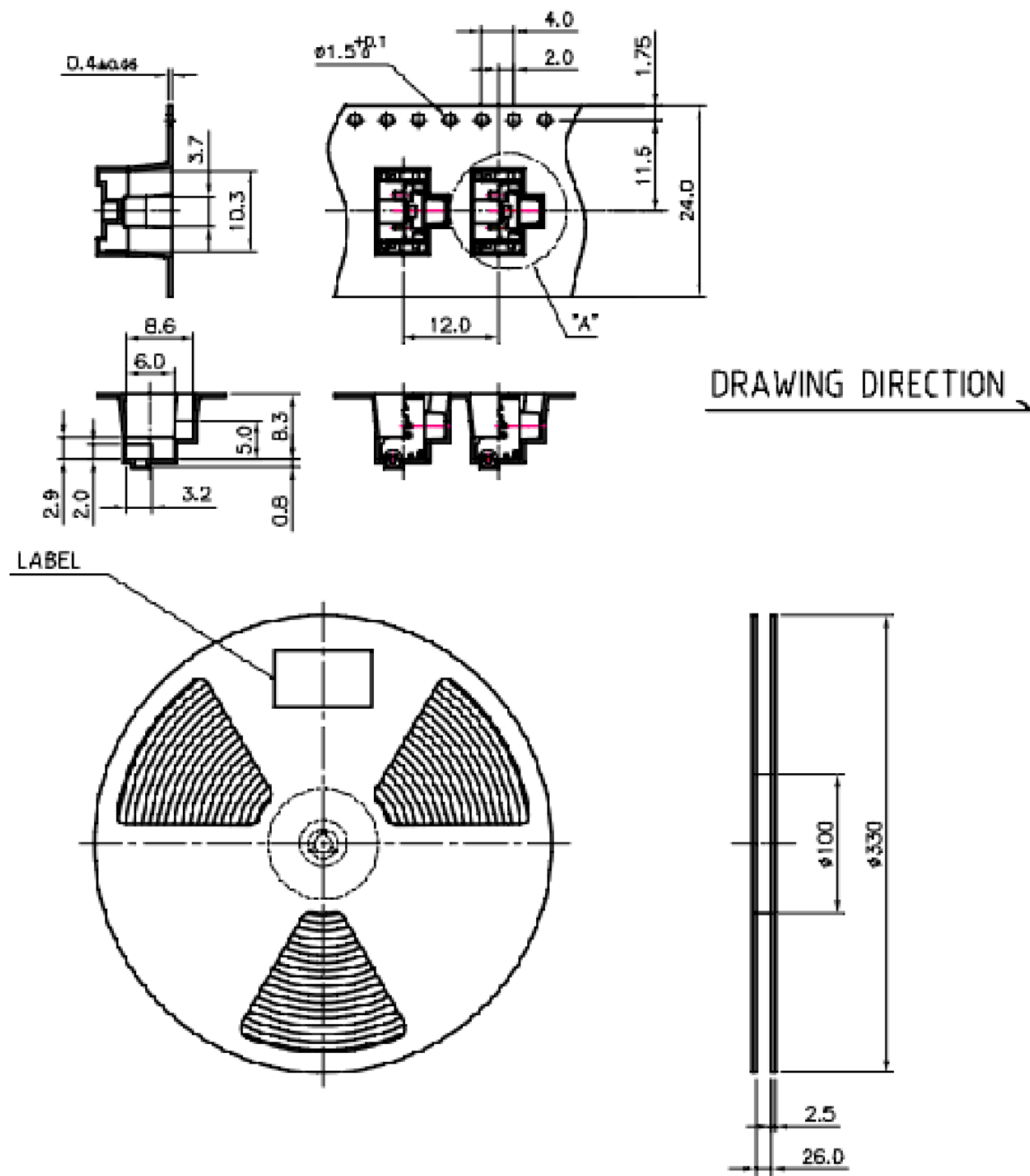
	WITH GUIDE PIN	T/R	130±50gf	3.1	2.7	1571300-3
	WITH GUIDE PIN	BULK	130±50gf	3.1	2.7	1571300-2
OBsolete	WITHOUT GUIDE PIN	BULK	130±50gf	3.1	2.7	1571300-1
	DETAIL A	PACKAGING	OPERATING FORCE	I	L	TE PART NUMBER

THIS DRAWING IS A CONTROLLED DOCUMENT.		DWN R BROWN 18DEC02	TE Connectivity			
DIMENSIONS: mm		CHK M SARVER 18DEC02	NAME SWITCH ASSEMBLY, TACTILE, RIGHT ANGLE, SMT, SEALED			
TOLERANCES UNLESS OTHERWISE SPECIFIED:		APVD M SARVER 18DEC02	SIZE A2			
0 PLC ± -		PRODUCT SPEC	CAGE CODE 00779			
1 PLC ± -		APPLICATION SPEC	DRAWING NO C=1571300			
2 PLC ± 0.30			RESTRICTED TO			
3 PLC ± -			SCALE 8:1			
4 PLC ± -			SHEET 1 of 2			
ANGLES ± -			REV K			
FINISH		WEIGHT -	CUSTOMER DRAWING			

THIS DRAWING IS UNPUBLISHED. RELEASED FOR PUBLICATION
 © COPYRIGHT - By - ALL RIGHTS RESERVED.

LOC		DIST		REVISIONS			
P	LTR	DESCRIPTION	DATE	DWN	APVD		
AD	00	SEE SHEET 1	-	-	-		

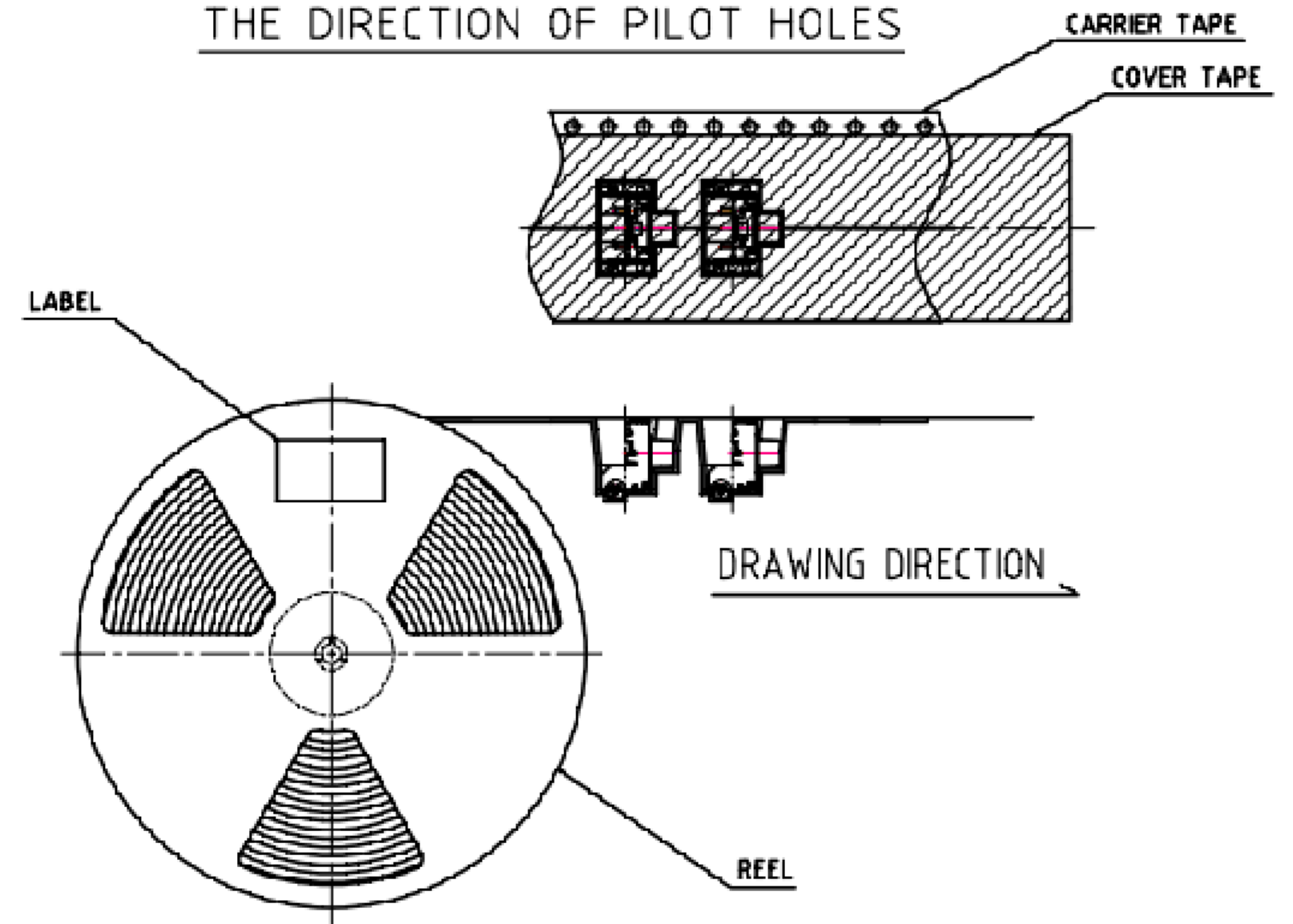
THE DIMENSION OF CARRIER TAPE, COVER TAPE AND REEL



DRAWING DIRECTION

DETAIL OF "A"

THE DIRECTION OF PILOT HOLES

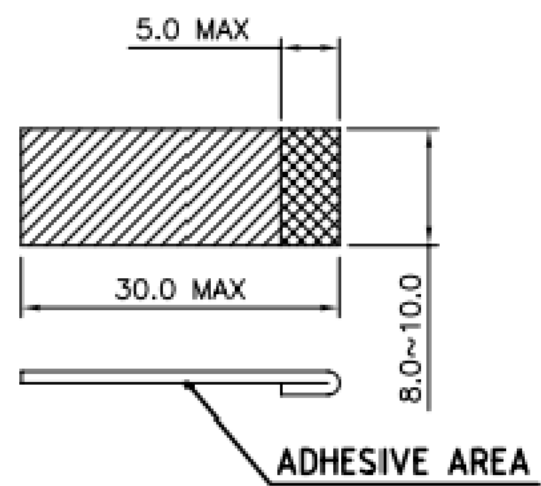
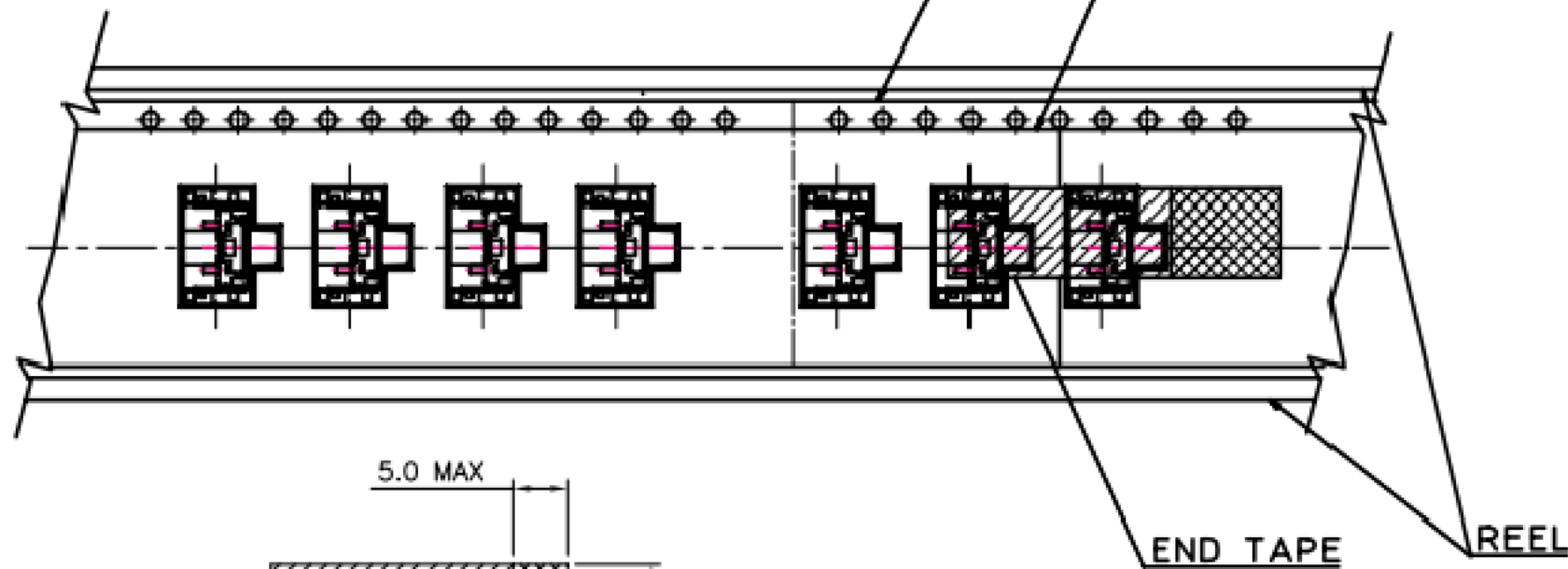


DRAWING DIRECTION

END TAPE

CARRIER TAPE

COVER TAPE



THIS DRAWING IS A CONTROLLED DOCUMENT.		DWN	R BROWN	18DEC02	 TE Connectivity	NAME		SWITCH ASSEMBLY, TACTILE, RIGHT ANGLE, SMT, SEALED		
DIMENSIONS: mm		CHK	M SARVER	18DEC02		PRODUCT SPEC		SIZE	CAGE CODE	DRAWING NO
TOLERANCES UNLESS OTHERWISE SPECIFIED:		APVD	M SARVER	18DEC02		APPLICATION SPEC		A2	00779	C=1571300
0 PLC ± - 1 PLC ± - 2 PLC ± 0.30 3 PLC ± - 4 PLC ± - ANGLES ± - FINISH -		WEIGHT		-		CUSTOMER DRAWING		SCALE	8:1	SHEET
MATERIAL		RESTRICTED TO		-		REV		K		

X-ON Electronics

Largest Supplier of Electrical and Electronic Components

Click to view similar products for [Tactile Switches](#) category:

Click to view products by [TE Connectivity](#) manufacturer:

Other Similar products are found below :

[5GTH92001](#) [1-1977120-4](#) [ADTSA62RV](#) [ADTSA63KV](#) [ADTSA644NV](#) [ADTSMW66NV](#) [ADTSMW67RV](#) [B3F-3123](#) [B3F-6055A](#) [B3F-B32-01-KIT](#) [1977177-8](#) [1977266-1](#) [ADTS644KV](#) [ADTSA61RV](#) [ADTSA62KV](#) [ADTSA63NV](#) [ADTSA63RV](#) [ADTSM21NSVTR](#) [ADTSM32NVTR](#) [ADTSM63SVTR](#) [ADTSM644KVTR](#) [ADTSMW64RV](#) [ADTSMW69NV](#) [FSMRA4JHA04](#) [GS4.70F300QP](#) [3ESH9R](#) [506E00201](#) [MJTP1164TR](#) [3FTL600RAS](#) [3FTL640RAS](#) [Y96K132V0FPLFS](#) [101-TS5022T1601-EV](#) [5GSH92001](#) [KSJ0A231](#) [80SH](#) [LFG](#) [EVQ-P1D05K](#) [MJTP1162TR](#) [ADTSM63KV](#) [TSJW-5.2-260-TR](#) [KMT011MNGJLHS](#) [B3WN6002S](#) [ADTSA648RV](#) [70-201.0](#) [ADTSG648NV](#) [ADTSM62KSVTR](#) [ATA600VTR](#) [ADTSG66RV](#) [ADTS61NV](#) [ADTSM62KVTR](#) [ADTSM25KSVB](#) [ADTS65RV](#)