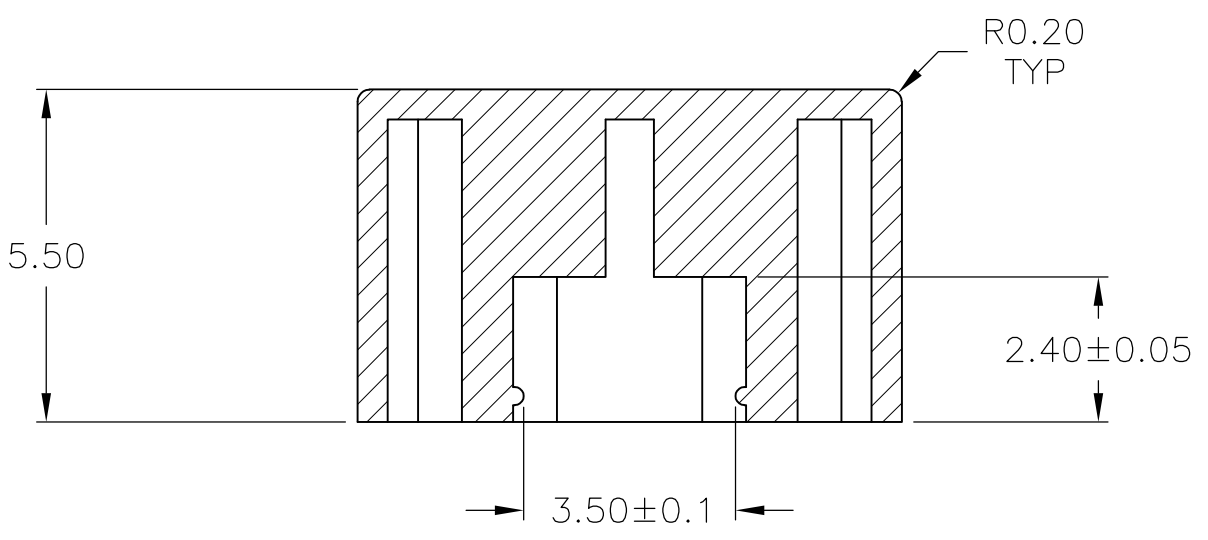
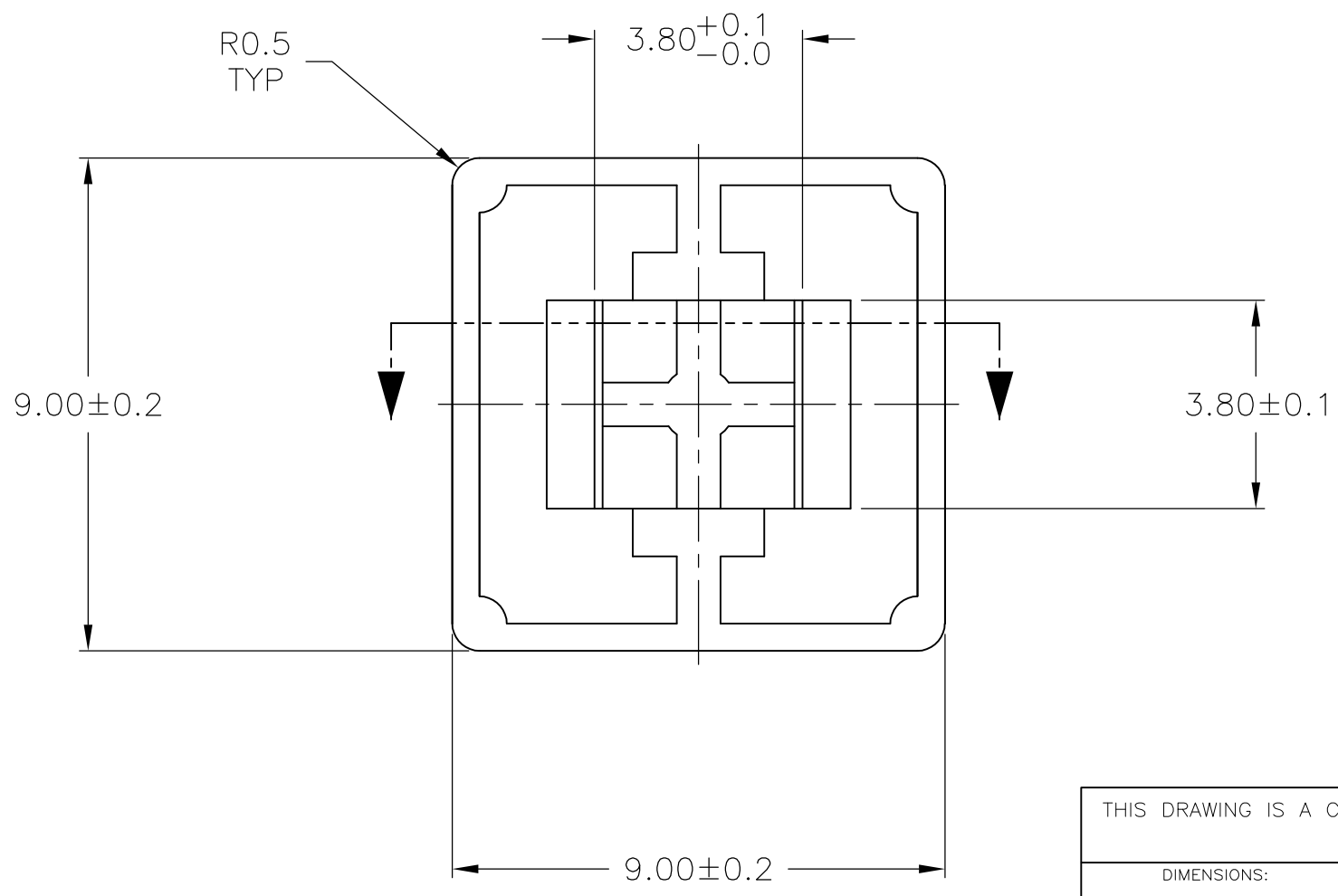


THIS DRAWING IS UNPUBLISHED. RELEASED FOR PUBLICATION
 © COPYRIGHT - By - ALL RIGHTS RESERVED.

REVISIONS				
P	LTR	DESCRIPTION	DATE	APVD
	F4	REVISED PER ECO-16-018632	05APR2017	SK PO



- 1 KEYCAP MUST WITHSTAND WAVE SOLDER PREHEAT TEMPERATURES OF 180°F.
- 2 OBSOLETE PARTS: OBSOLETE CIS STREAMLINING PER D.RENAUD/D.SINISI



2	OBSOLETE	YELLOW	1571384-7
		RED	1571384-6
		VIOLET	1571384-5
		BLACK	1571384-4
	OBSOLETE	BLUE	1571384-3
		ORANGE	1571384-2
		GREEN	1571384-1
	COLOR	TE PART NUMBER	

THIS DRAWING IS A CONTROLLED DOCUMENT.		DWN R BROWN	29SEP03	STE TE Connectivity	
DIMENSIONS: mm		CHK M SARVER	29SEP03		
TOLERANCES UNLESS OTHERWISE SPECIFIED:		APVD M SARVER	29SEP03	NAME KEY CAP	
0 PLC ± -		PRODUCT SPEC		SIZE CAGE CODE DRAWING NO RESTRICTED TO	
1 PLC ± -		APPLICATION SPEC		A3 00779 C-1571384	
2 PLC ± 0.30		WEIGHT 0		SCALE 8:1 SHEET 1 OF 1 REV F4	
3 PLC ± -		MATERIAL ABS			
4 PLC ± -		FINISH -			
ANGLES ± -		CUSTOMER DRAWING			

X-ON Electronics

Largest Supplier of Electrical and Electronic Components

Click to view similar products for [Switch Bezels / Switch Caps](#) category:

Click to view products by [TE Connectivity](#) manufacturer:

Other Similar products are found below :

[896809000](#) [LW1A-B2-R](#) [LW2A-B1-G](#) [704.604.4](#) [704.955.3](#) [F1403](#) [7527](#) [760203000](#) [760503000](#) [766601000](#) [785105000](#) [785106000](#)
[79211759](#) [MG12KB](#) [MH11](#) [MH13](#) [MHU31](#) [MJ1216](#) [MJ1226](#) [MJ33](#) [MJ612](#) [MJ626](#) [MJ627](#) [9001T8BK](#) [908-1634](#) [92-343.200](#) [92-343.400](#)
[95804.920](#) [95CAP-011](#) [95CAP-112](#) [11-932.7](#) [99-901.9](#) [99-902.9](#) [99-909.4](#) [99-909.5](#) [99-920.8](#) [A0261A](#) [11-931.2](#) [11-932.5](#) [11-936](#)
[AKTSC22B](#) [AT496H](#) [AW-RF8](#) [161006](#) [1825068-6](#) [184-1872](#) [187-1872](#) [188-1471](#) [1DFBLK](#) [1D-GRY](#)