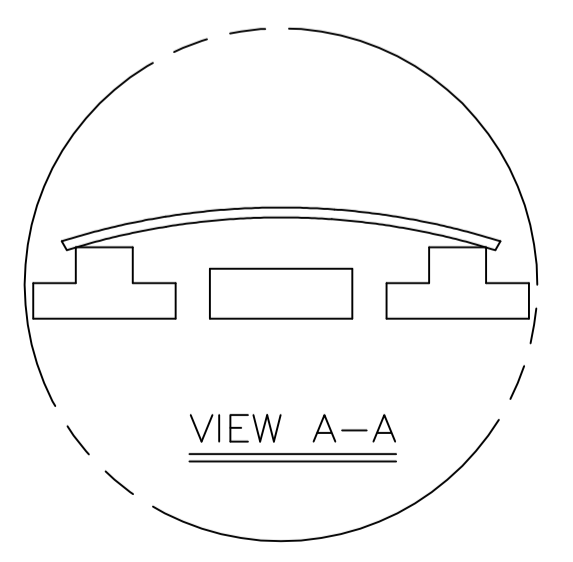
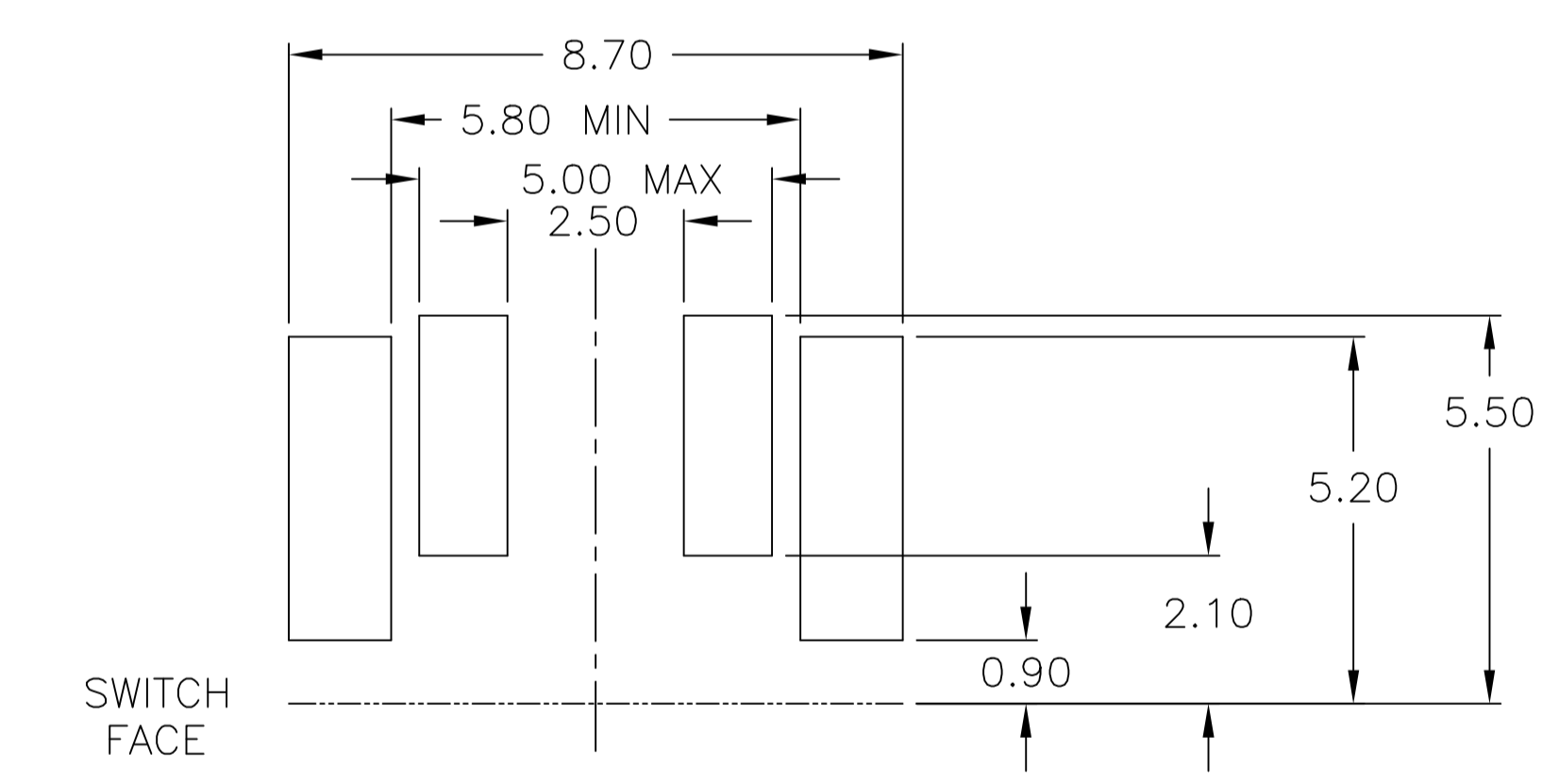
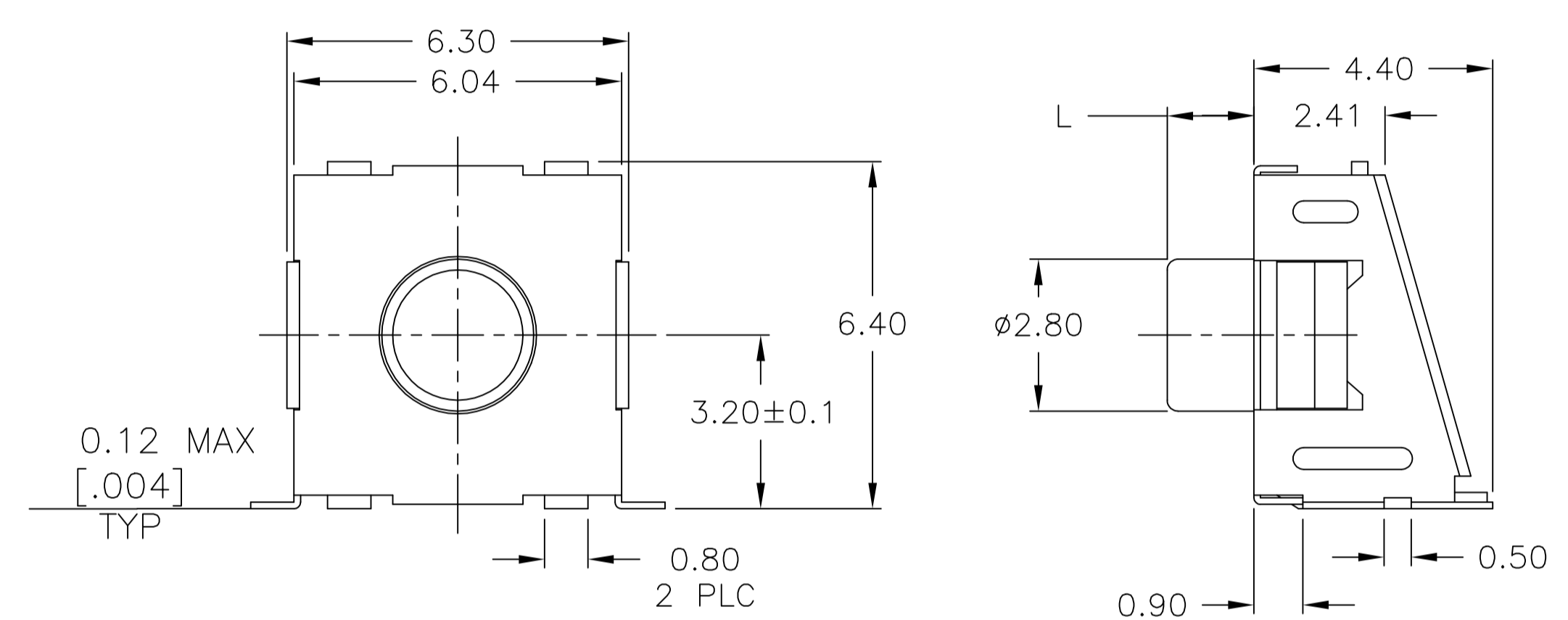
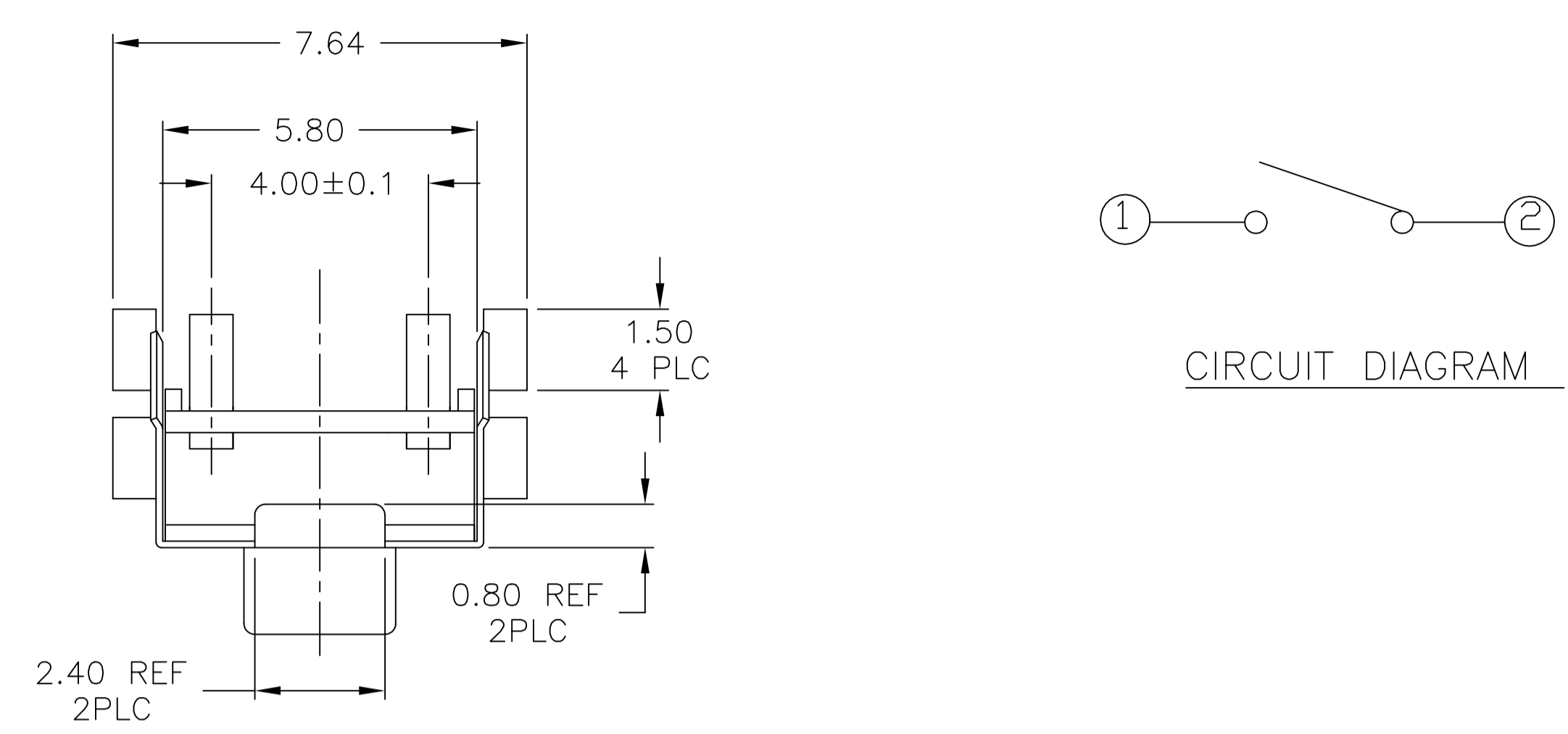


REVISIONS				
P	LYR	DESCRIPTION	DATE	DWN APVD
J		REVISED PER ECO-17-014758	18DEC2017	GCM PO



**SPECIFICATIONS**

**MATERIALS**

CASE: THERMOPLASTIC, UL94V-0, IVORY  
 ACTUATOR: SILICON RUBBER, COLOR-BLACK  
 CONTACT: STAINLESS STEEL, PLATING-SILVER  
 TERMINAL: BRASS, SILVER/NICKEL  
 BRACKET: NICKEL SILVER

**ELECTRICAL**

MAX CONTACT RATING: 50MILLIAMPS@24V DC  
 MIN CONTACT RATING: 10MICROAMPS@1V DC  
 INITIAL CONTACT RESISTANCE: 100 MILLIOHMS MAX, PER EIA RS-448, METHOD 1  
 INSULATION RESISTANCE: 100 MEGOHMS MIN @ 100VDC PER EIA RS-186-13E  
 DIELECTRIC STRENGTH: 500 VAC 50/60 HZ FOR 1 MINUTE  
 CONTACT BOUNCE: 10 MILLISECOND MAX PER EIA-448-18, METHOD 15

**MECHANICAL**

ACTUATOR OPERATING FORCE: SEE TABLE  
 ACTUATOR TRAVEL: 0.35±0.2mm

**DURABILITY**

UP TO 1,000,000 CYCLES, AT RATED LOAD PER EIA-RS-448, METHOD 8  
 FINAL CONTACT RESISTANCE: 200 MILLIOHMS MAX  
 CONTACT BOUNCE: 20 MILLISECONDS MAX  
 ACTUATOR FORCE: WITHIN ±30% OF INITIAL VALUE

**ENVIRONMENTAL**

OPERATING TEMPERATURE RANGE: -35°C to +85°C, 45% - 85% RH  
 STORAGE TEMPERATURE RANGE: -35°C to +85°C  
 HUMIDITY: 96 HOURS PER EIA-186-1E  
 INSULATION RESISTANCE: 10 MEGOHMS MIN  
 DIELECTRIC STRENGTH: 500VAC 50/60HZ FOR 1 MINUTE  
 CONTACT RESISTANCE: 100 MILLIOHMS MAX  
 DRY HEAT TEST: 85°C FOR 96 HOURS PER IEC 60068-2-2, TEST B,  
 NO CHANGE IN INITIAL ELECTRICAL AND MECHANICAL CHARACTERISTICS  
 COLD TEST: -35°C FOR 96 HOURS PER IEC 60068-2-1, TEST A;  
 NO CHANGE IN INITIAL ELECTRICAL AND MECHANICAL CHARACTERISTICS  
 THERMAL CYCLING: 5 CYCLES, -35°C to +85°C  
 HUMIDITY-TEMPERATURE CYCLING, EIA 364-31B, METHOD III  
 CONTACT RESISTANCE 100 MILLIOHMS MAX  
 RESISTANCE TO SOLDERING HEAT PER 109-201, COND B

SEALING PER IP67 - CONTACT RESISTANCE 100 MILLIOHMS MAX AND  
 MIL-STD-202F, METHOD 112 (TEST CONDITION D, EXCEPT WITH FLUID  
 TEMPERATURE OF 85°C±5°C AND IMMERSED FOR 60 SECONDS)

SOLDERABILITY: PER EIA-364-52, CLASS 1, CATEGORY 2

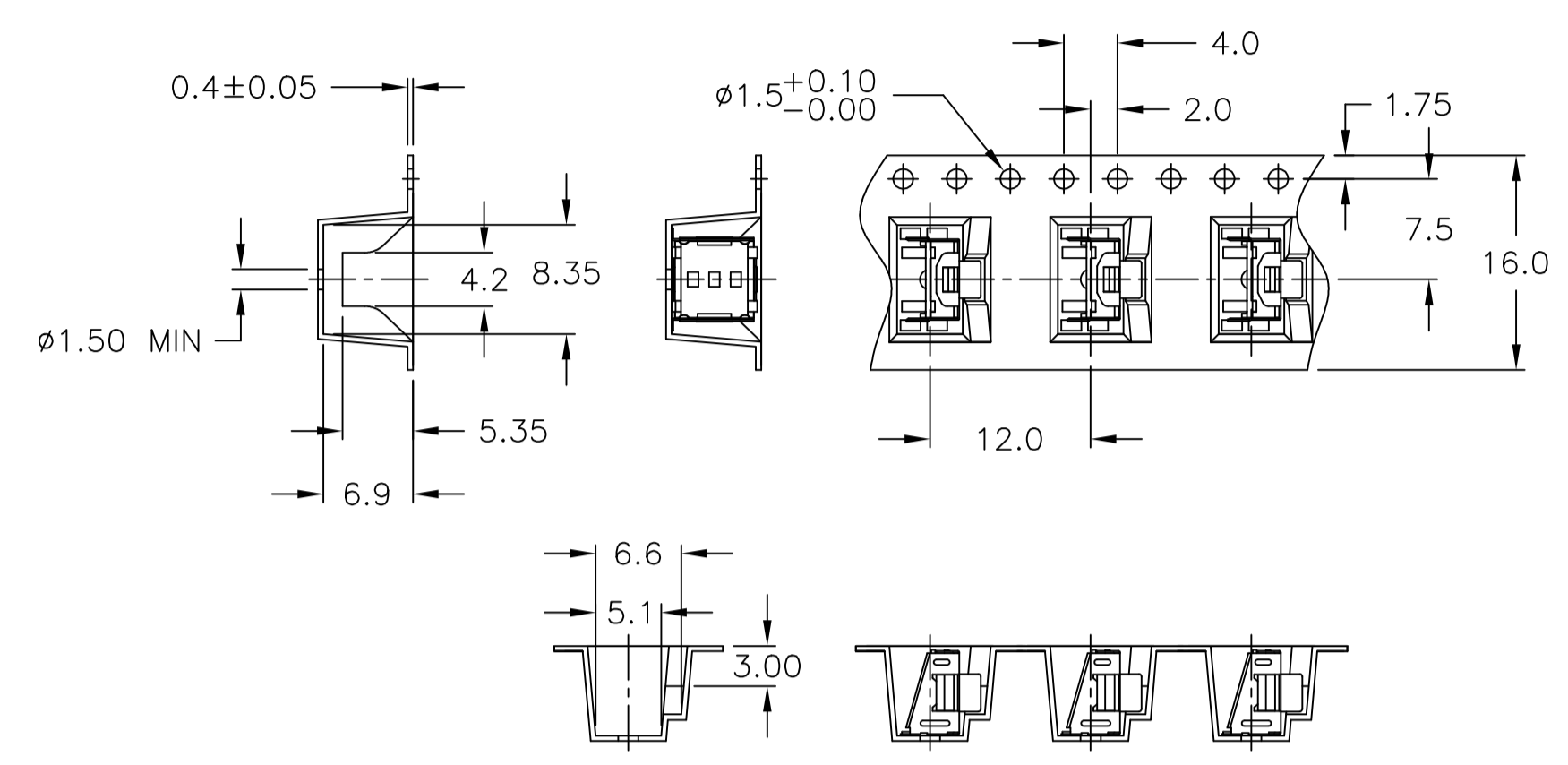
- 1 PARTS TO BE PACKAGED ON TAPE AND REEL PER EIA-481
- 2 ALL MATERIALS AND FINISHES SHALL COMPLY WITH EU DIRECTIVE 2002/95/EC OF 27JAN2003 (ROHS)
- 3 OBSOLETE PARTS: OBSOLETE CIS STREAMLINING PER D.RENAUD/D.SINISI

1	OBSOLETE		16mm	T&R	260±100gf	3.96mm	1571407-4
3	OBSOLETE	N/A	N/A	BULK	260±100gf	3.96mm	1571407-3
1			16mm	T&R	260±100gf	1.60mm	1571407-2
		N/A	N/A	BULK	260±100gf	1.60mm	1571407-1
		Pitch		Packaging	Operating force	Dim L	TE P/N

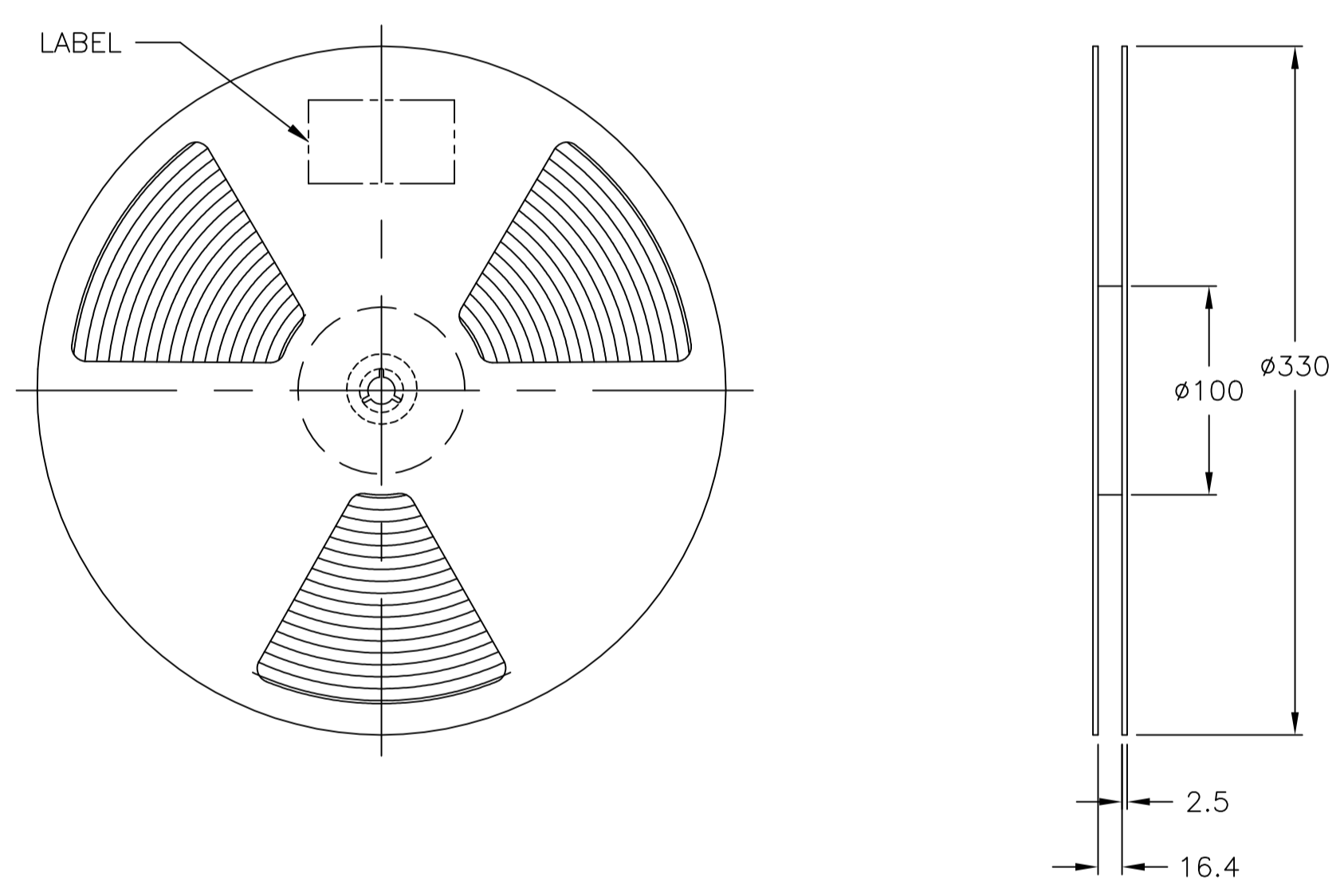
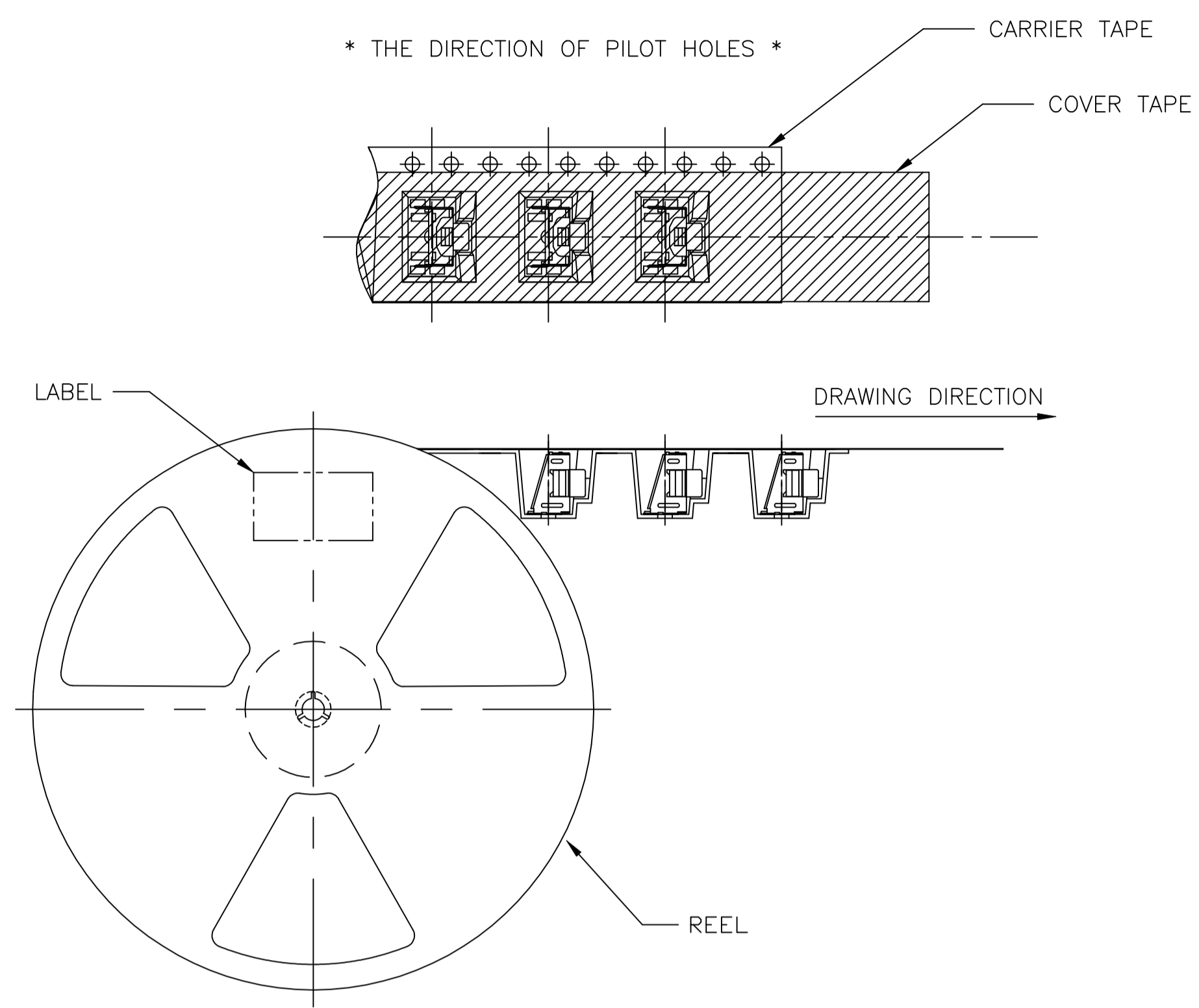
DIMENSIONS:		TOLERANCES UNLESS OTHERWISE SPECIFIED:		DRAWING NO		RESTRICTED TO	
mm		mm		SIZE	CAGE CODE	DRAWING NO	RESTRICTED TO
0 PLC	±	0	±	A1	00779	1571407	
1 PLC	±	0.10	±				
2 PLC	±	0.15	±				
3 PLC	±	0.20	±				
4 PLC	±	0.30	±				
ANGLES	±		±				
MATERIAL		FINISH		WEIGHT	0		
CUSTOMER DRAWING				SCALE	10:1	SHEET	1 OF 2

REVISIONS				
P	LYR	DESCRIPTION	DATE	OWN APVD
-	-	SEE SHEET 1	-	-

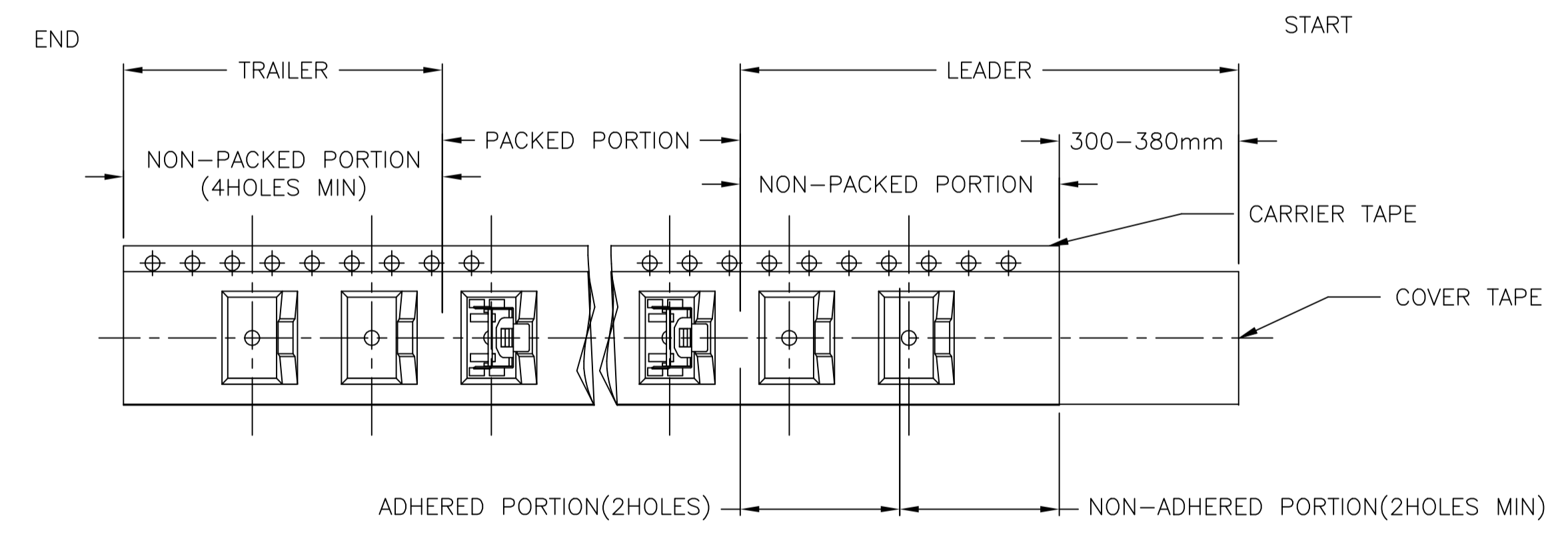
\* THE DIMENSION OF CARRIER TAPE, COVER TAPE AND REEL \*



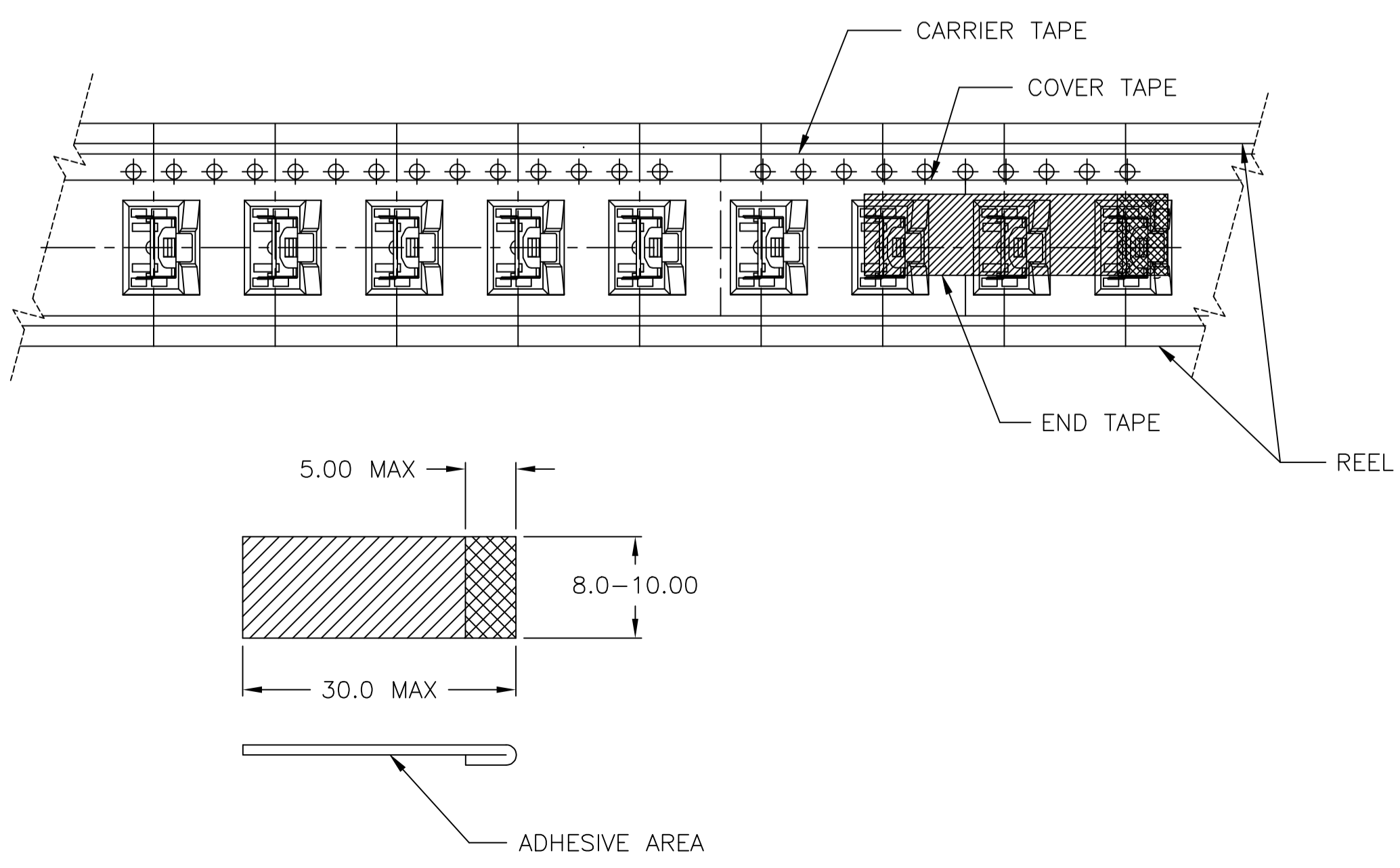
\* THE DIRECTION OF PILOT HOLES \*



\* THE SPECIFICATION FOR PACKAGING \*



\* END TAPE \*



THIS DRAWING IS A CONTROLLED DOCUMENT.		DWN M.BINNER	09DEC02	<b>STE</b> TE Connectivity	
DIMENSIONS: mm		CHK M.SARVER			
TOLERANCES UNLESS OTHERWISE SPECIFIED:		NAME M.SARVER		SWITCH ASSEMBLY, TACTILE, RIGHT ANGLE, SMT, SEALED	
0 PLC ± -		APVD M.SARVER		APPLICATION SPEC	
1 PLC ± -		PRODUCT SPEC		SIZE CAGE CODE DRAWING NO	
2 PLC ± 0.30[.012]		APPLIC. SPEC		RESTRICTED TO	
3 PLC ± -		WEIGHT		A1 00779 ©=1571407	
4 PLC ± -		SCALE		2:1	
ANGLES ± -		SHEET		2 OF 2	
FINISH		REV		J	
MATERIAL		CUSTOMER DRAWING			

## X-ON Electronics

Largest Supplier of Electrical and Electronic Components

*Click to view similar products for [Tactile Switches](#) category:*

*Click to view products by [TE Connectivity](#) manufacturer:*

Other Similar products are found below :

[5GTH92001](#) [1-1977120-4](#) [ADTSA62NV](#) [ADTSA62RV](#) [ADTSA63KV](#) [ADTSA644NV](#) [ADTSMW66NV](#) [ADTSMW67RV](#) [B3F-3123](#) [B3F-6055A](#) [B3F-B32-01-KIT](#) [1977177-8](#) [1977266-1](#) [ADTS644KV](#) [ADTSA61RV](#) [ADTSA62KV](#) [ADTSA63NV](#) [ADTSA63RV](#) [ADTSM21NSVTR](#) [ADTSM32NVTR](#) [ADTSM63SVTR](#) [ADTSM644KVTR](#) [ADTSMW64RV](#) [ADTSMW69NV](#) [FSMRA4JHA04](#) [GS4.70F300QP](#) [3ESH9R](#) [506E00201](#) [MJTP1164TR](#) [3FTL600RAS](#) [3FTL640RAS](#) [Y96K132V0FPLFS](#) [101-TS5022T1601-EV](#) [5GSH92001](#) [KSJ0A231](#) [80SH LFG](#) [ADTSM31NVTR](#) [EVQ-P1D05K](#) [MJTP1162TR](#) [ADTSM63KV](#) [2-1977120-7](#) [TSJW-5.2-260-TR](#) [KMT011MNGJLHS](#) [B3WN6002S](#) [ADTSA648RV](#) [70-201.0](#) [ADTSG648NV](#) [ADTSM62KSVTR](#) [ATA600VTR](#) [ADTSG66RV](#) [ADTS61NV](#)