

LOC		DIST		REVISIONS			
AD	00	REV	DATE	BY	CHK	APPD	REV
A	EC 0G3C 0868 04		09MAY05	BSV	KW		
A1	REVISED PER ECO-09-024606		27OCT09	KK	AEG		

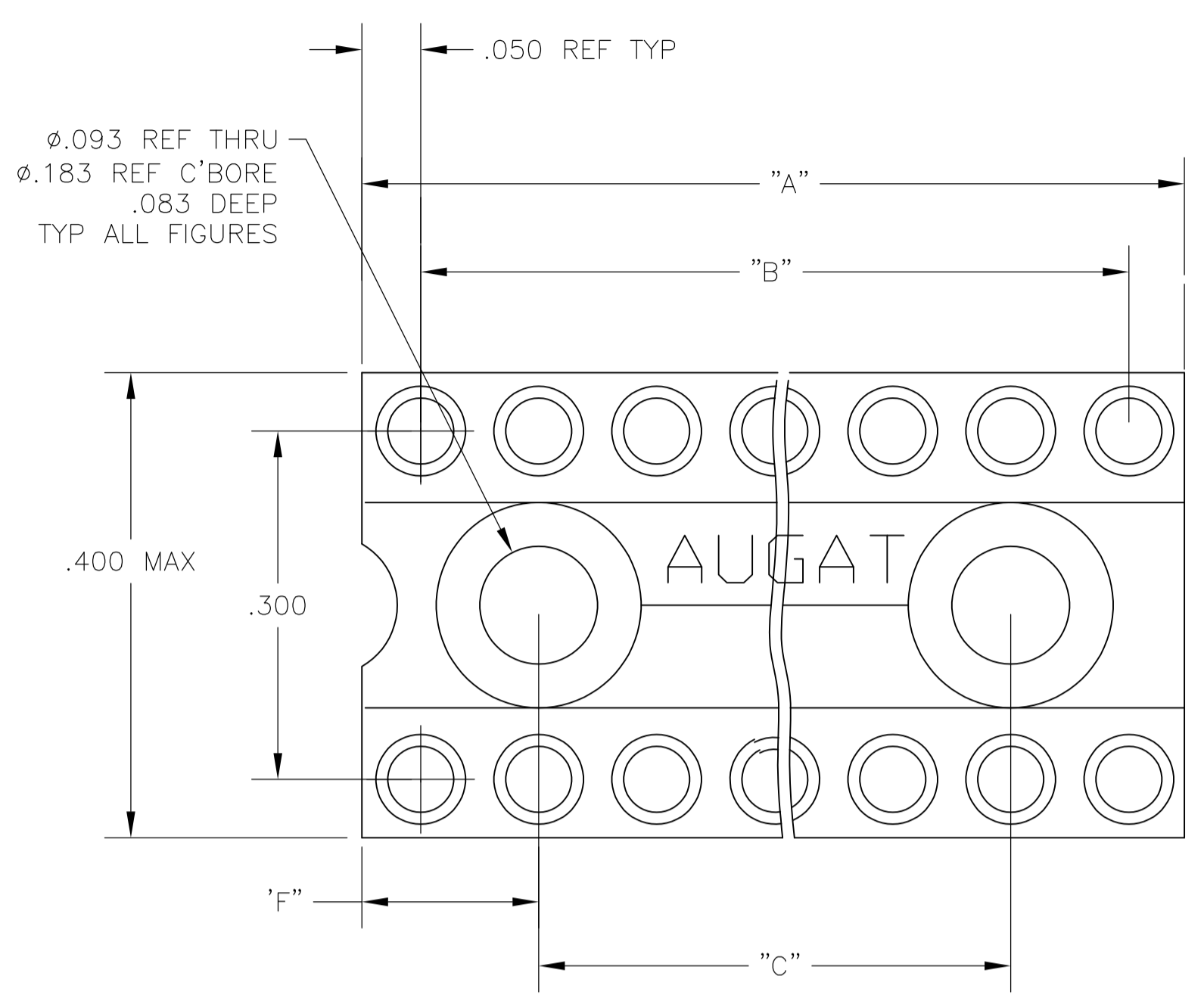


FIG. 1

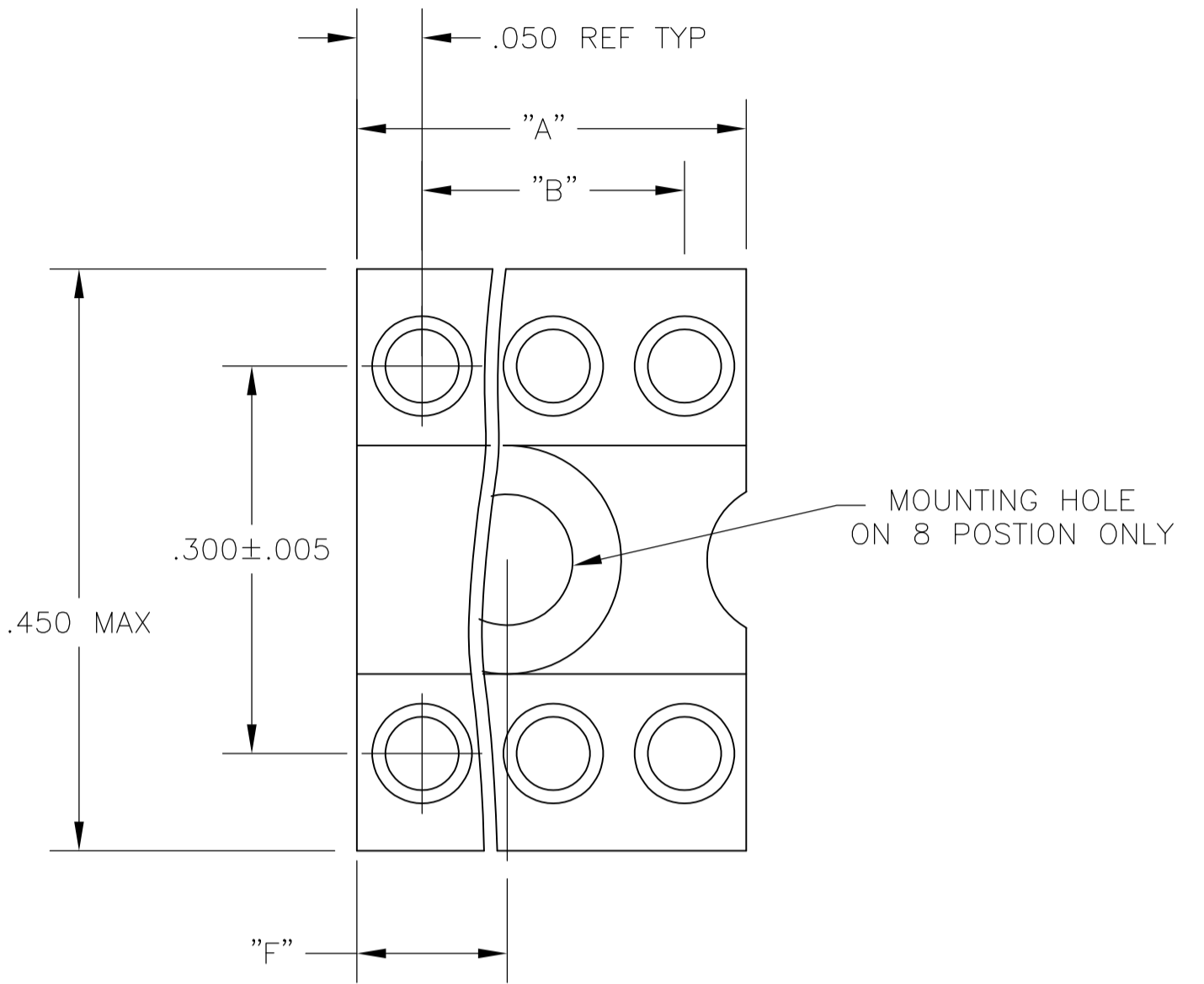


FIG. 2

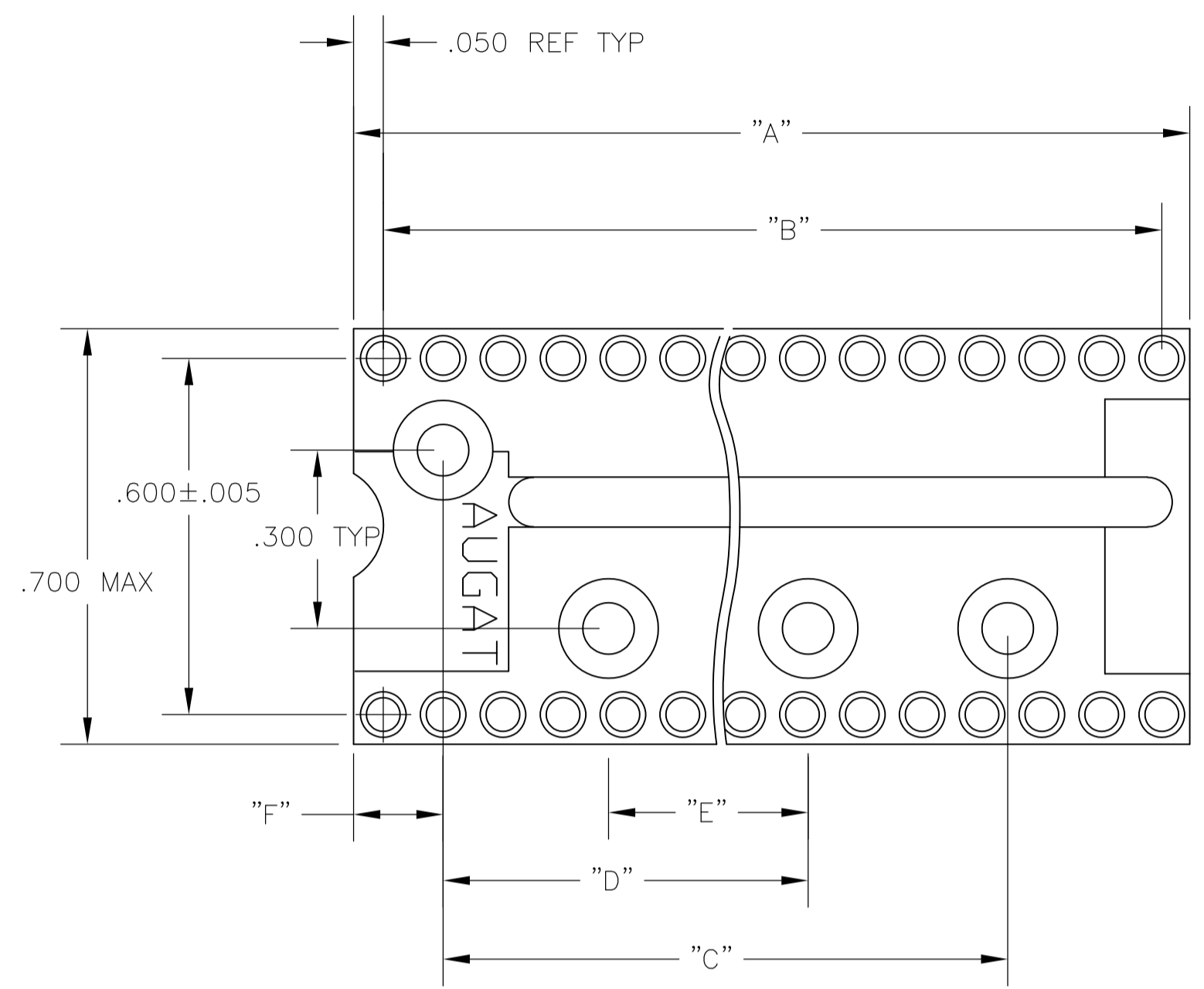


FIG. 3

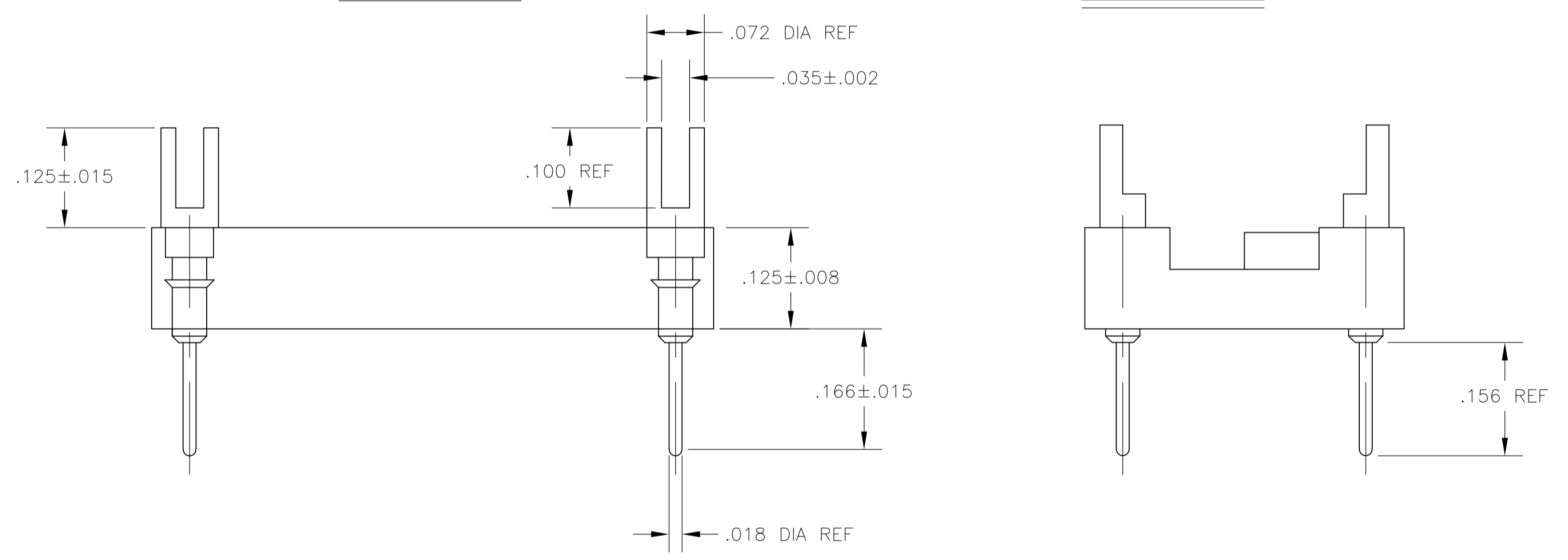
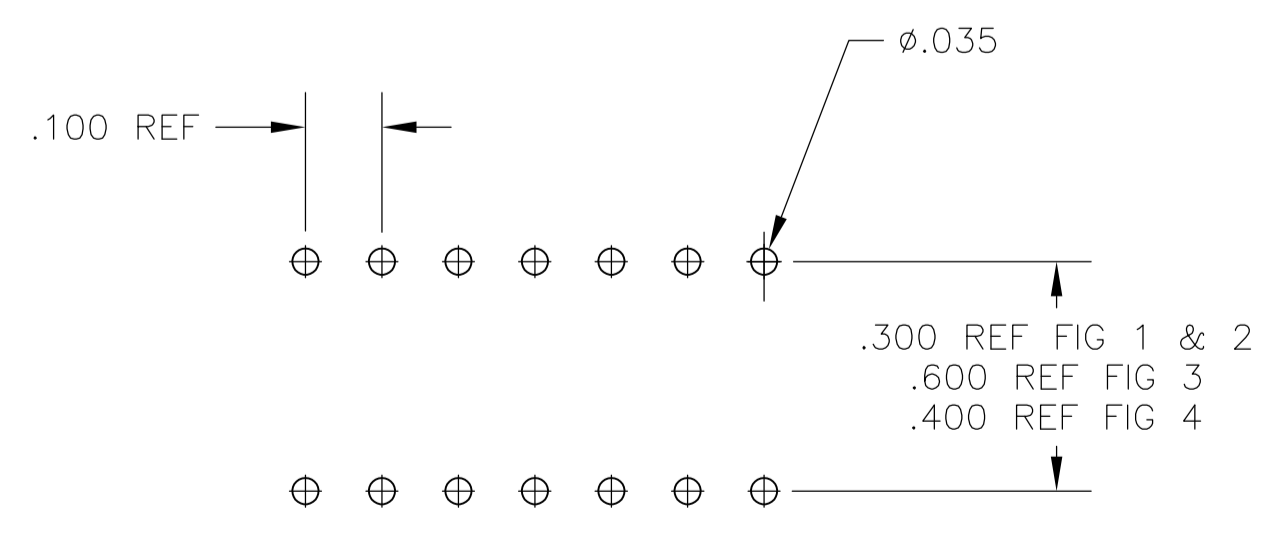
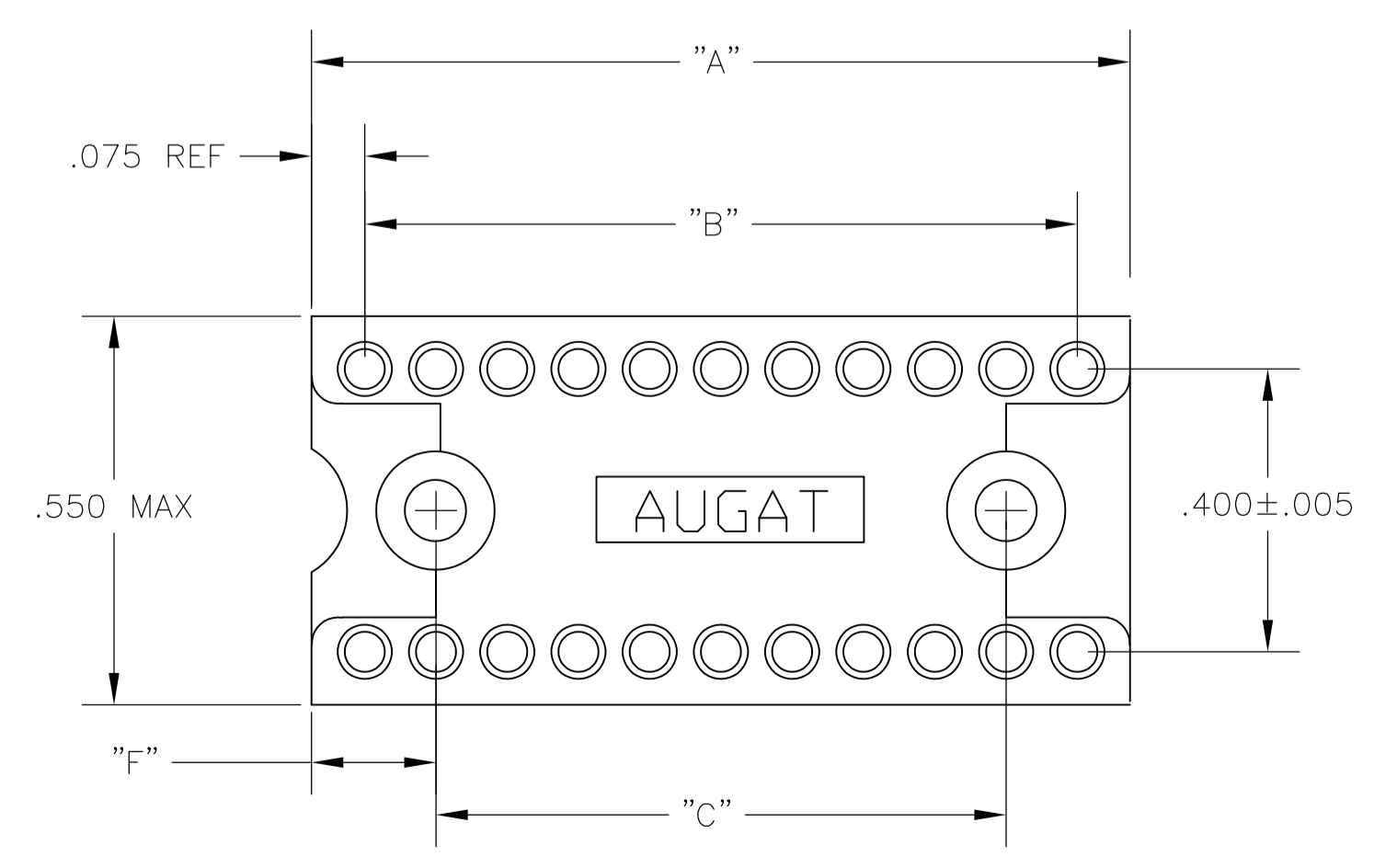


FIG. 4



P.C.B HOLE LAYOUT
TOLERANCE ±.003



- INSULATOR MATERIAL - THERMOPLASTIC POLYESTER, PCT, BLK, UL94 V-0.
- CONTACT PLATING - .000180-.000340 THK TIN (LEAD FREE) OVER .000050-.000180 THK COPPER.
- OBsolete PARTS: OBSOLETE CIS STREAMLINING PER D.RENAUD/D.SINISI

OBSOLETE	3	.150	.500	.900	1.500	1.900	2.000	40	1-1571549-1
	3	.150	.500	.900	1.500	1.700	1.800	36	1-1571549-0
	3	.150	.500	.900	-	1.500	1.600	32	1571549-9
	3	.150	.500	.900	-	1.300	1.400	28	1571549-8
OBSOLETE	3	.150	.500	.900	-	1.100	1.200	24	1571549-7
	4	.175	-	-	.800	1.000	1.150	22	1571549-6
OBSOLETE	1	.250	-	-	.500	.900	1.000	20	1571549-5
	1	.150	-	-	.600	.800	.900	18	1571549-4
OBSOLETE	1	.150	-	-	.500	.700	.800	16	1571549-3
	1	.150	-	-	.400	.600	.700	14	1571549-2
OBSOLETE	2	.200	-	-	-	.300	.400	8	1571549-1
FIG	"F"	"E"	"D"	"C"	"B"	"A" MAX	NO. OF POSN	PART NO.	

THIS DRAWING IS A CONTROLLED DOCUMENT.

DIMENSIONS: INCHES	TOLERANCES UNLESS OTHERWISE SPECIFIED:	DIN T. KRAYBILL 30SEP03	CHK K. WRIGHT	APVD K. WRIGHT	NAME	Tyco Electronics Corporation Harrisburg, Pa 17105-3608
0. PLC ± -	1. PLC ± -	2. PLC ± -	3. PLC ± -	4. PLC ± -	ANGLES ± -	APPLICATION SPEC
MATERIAL	FINISH	WEIGHT	SIZE	CAGE CODE	DRAWING NO.	RESTRICTED TO
			A1	00779	1571549	
CUSTOMER DRAWING			SCALE	SHEET	REV	
			8:1	1 of 1	A1	

X-ON Electronics

Largest Supplier of Electrical and Electronic Components

Click to view similar products for IC & Component Sockets category:

Click to view products by TE Connectivity manufacturer:

Other Similar products are found below :

[0066-3-17-15-30-14-02-0](#) [670](#) [672](#) [673](#) [694-13-640-00-672-000](#) [712-93-120-41-001000](#) [714-93-104-31-018000](#) [8059-4G1-LF](#) [807-22-001-10-001101](#) [807-22-001-10-006101](#) [807-22-001-30-011101](#) [807-22-001-30-012101](#) [807-22-001-30-013101](#) [807-22-001-30-014101](#) [8-1437531-4](#) [8150-6P10](#) [833-93-034-10-001000](#) [851-41-006-10-001000](#) [851-43-008-20-001000](#) [851-43-014-20-001000](#) [851-93-006-20-001000](#) [851-93-010-20-001000](#) [853-43-020-10-001000](#) [86.010.0053.0](#) [116-43-308-41-007000](#) [PX-68LCC](#) [121-13-318-41-001000](#) [121-13-320-41-001000](#) [121-13-308-41-001000](#) [123-43-314-41-801000](#) [123-43-420-41-001000](#) [122-13-316-41-001000](#) [123-13-624-41-001000](#) [123-43-306-41-001000](#) [12-3513-11](#) [123-91-320-41-001000](#) [126-43-310-41-002000](#) [AKSUN 37V-T](#) [1437503-9](#) [1437504-1](#) [146-44-308-41-013000](#) [146-43-308-41-012000](#) [160-10-308-00-001000](#) [160-40-320-00-001000](#) [214-99-306-01-670800](#) [232-1270-02-0602](#) [2-382761-4](#) [2-5331677-4](#) [2-640360-3](#) [2801-2-00-50-00-00-07-0](#)