

LOC		DIST		REVISIONS			
AD	00	REV	DATE	BY	CHK	APP	REV
A	EC 0G3C 0868 04		09MAY05	BSV	KW		
A1	REVISED PER ECO-09-024606		27OCT09	KK	AEG		

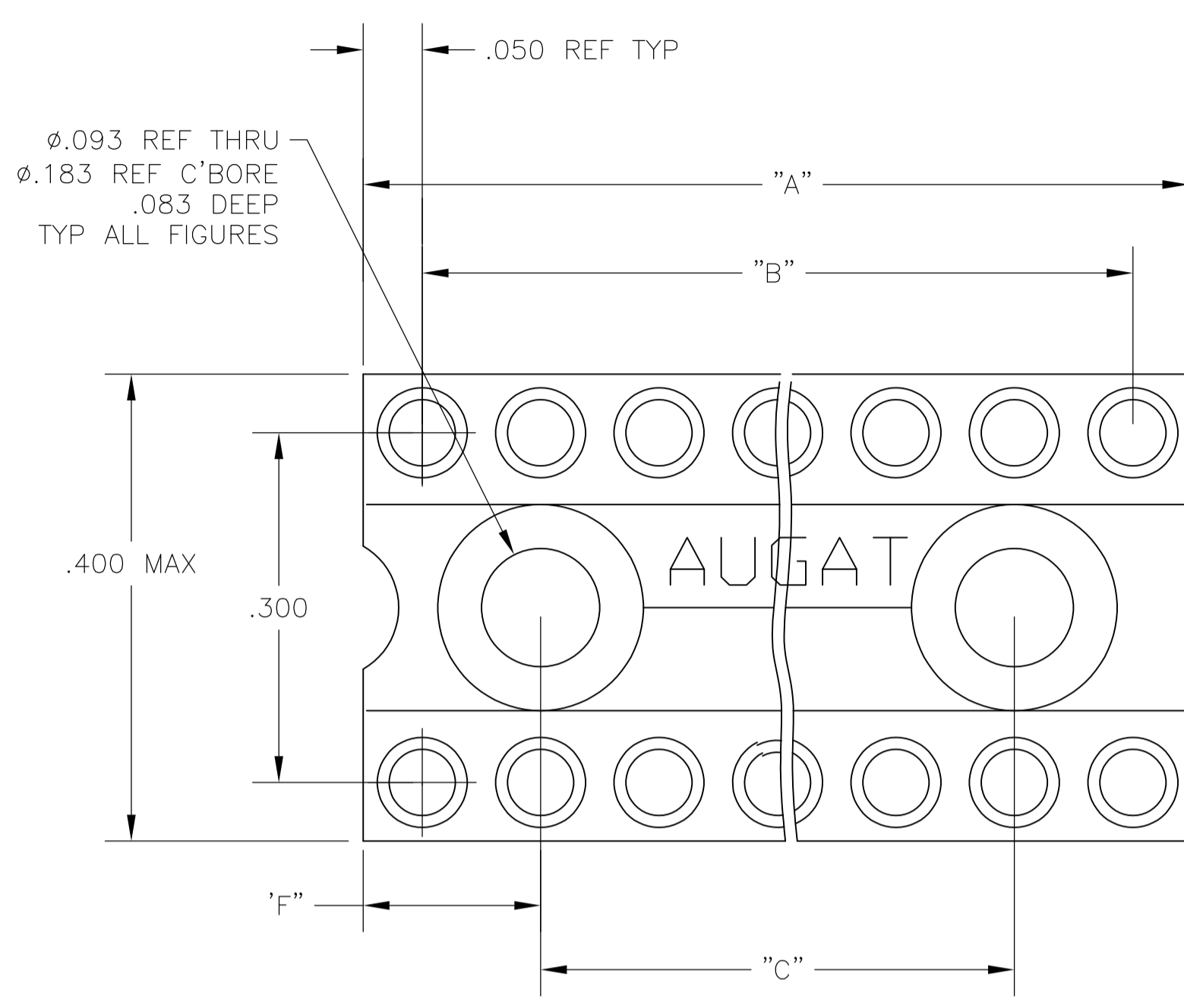


FIG. 1

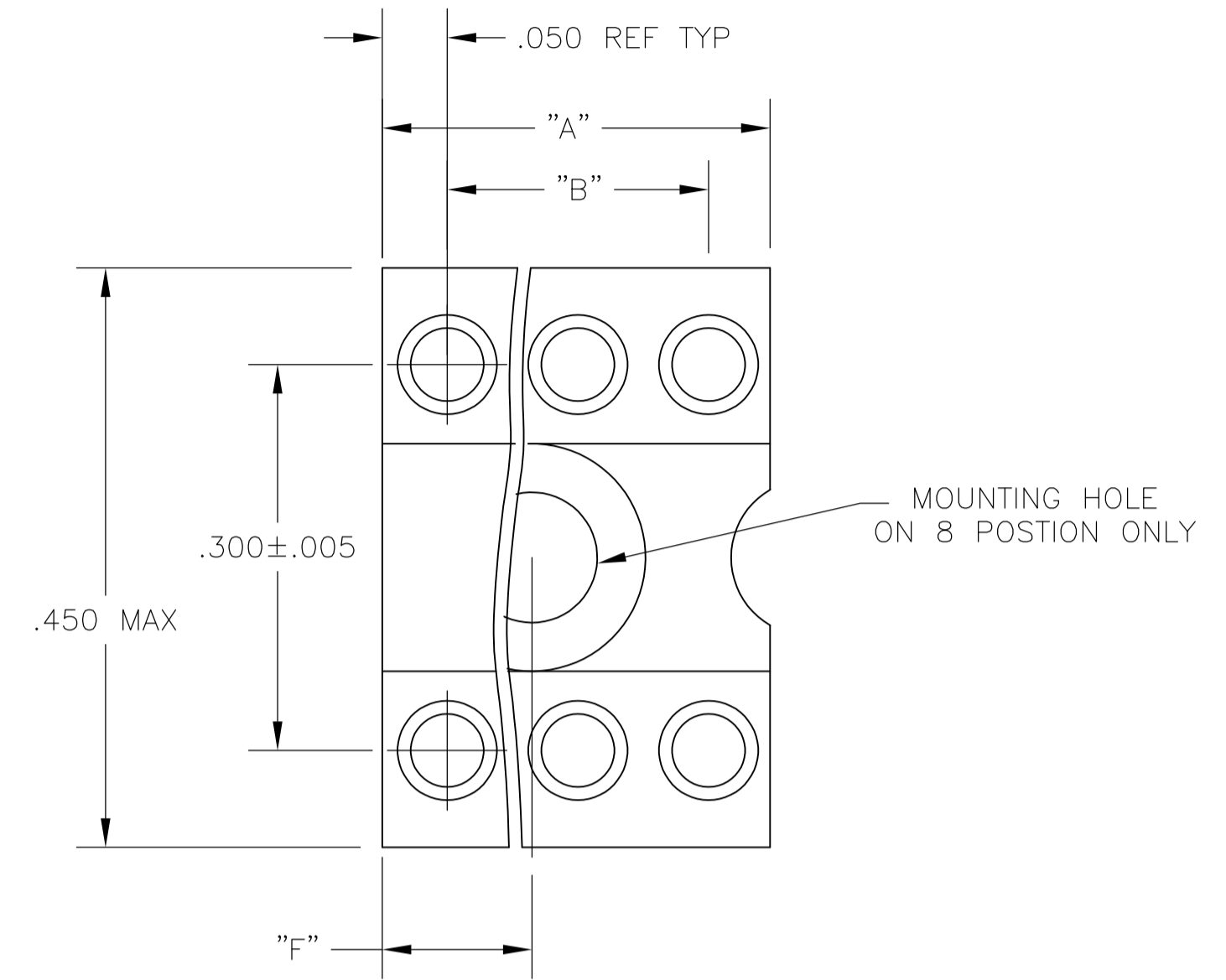


FIG. 2

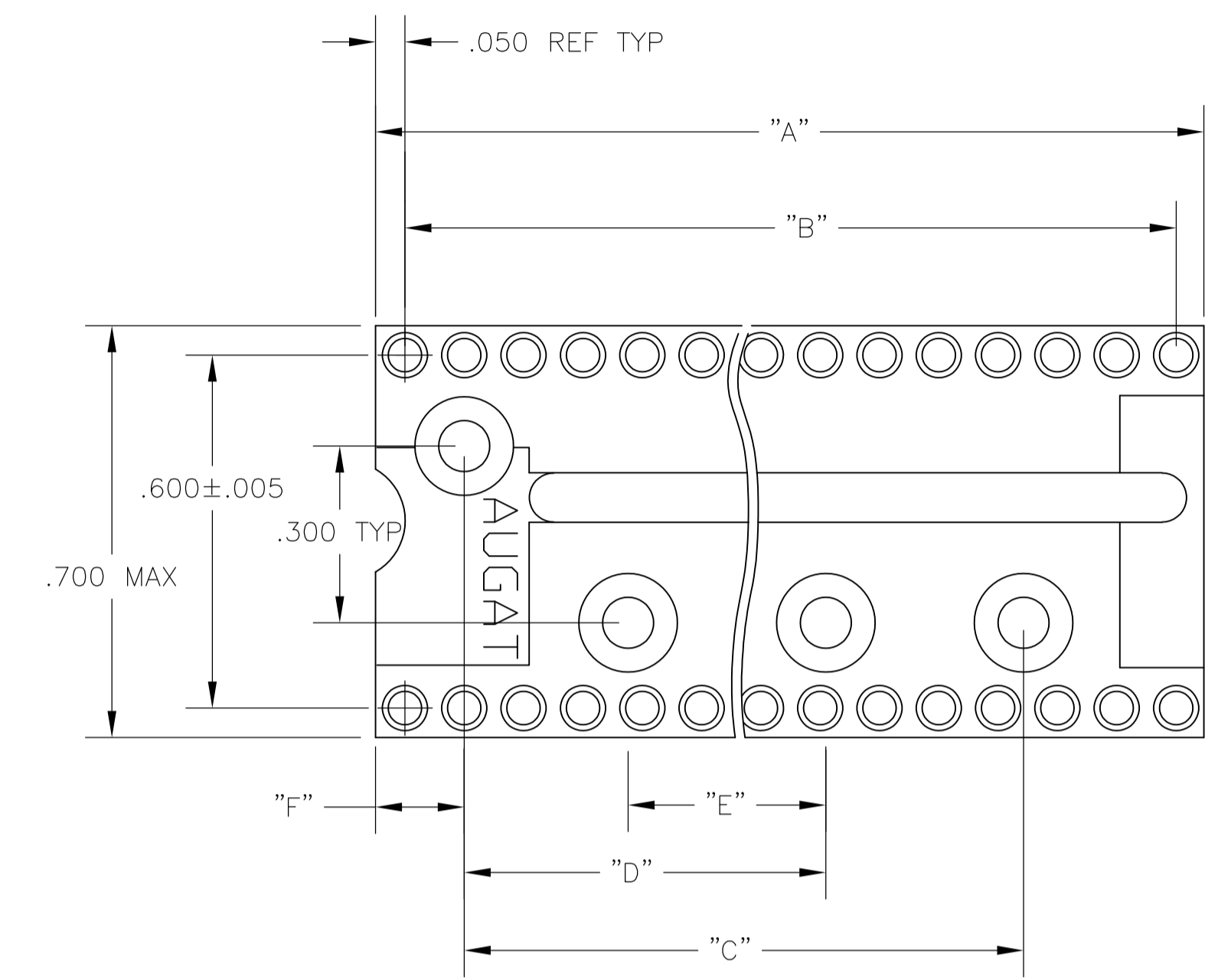


FIG. 3

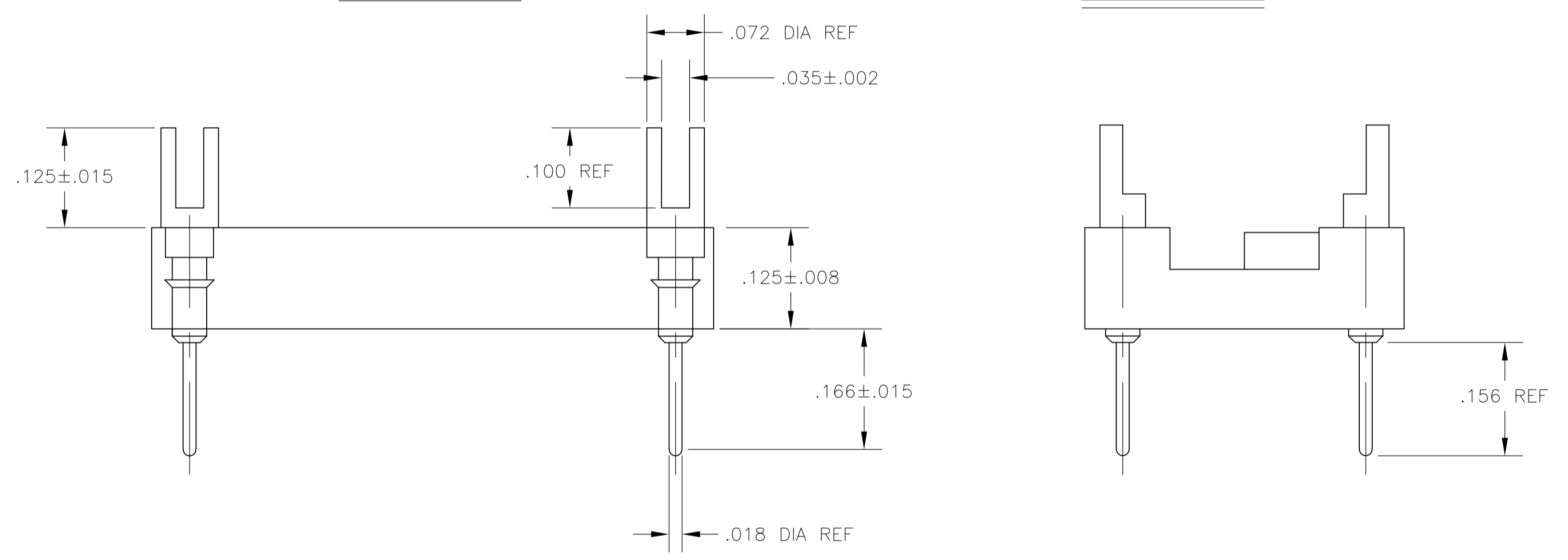
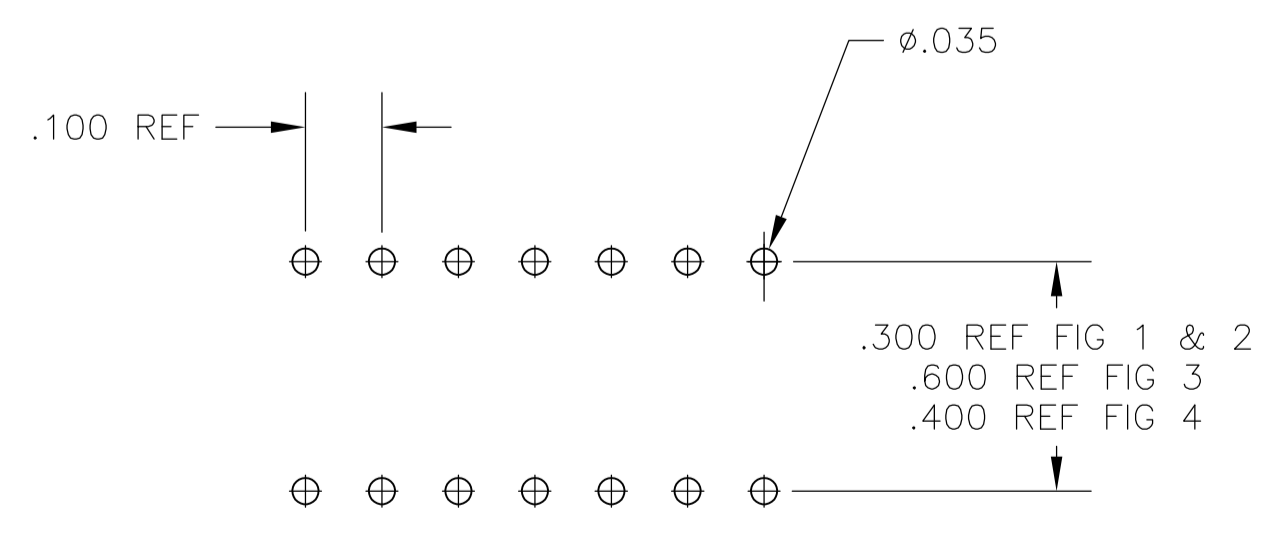
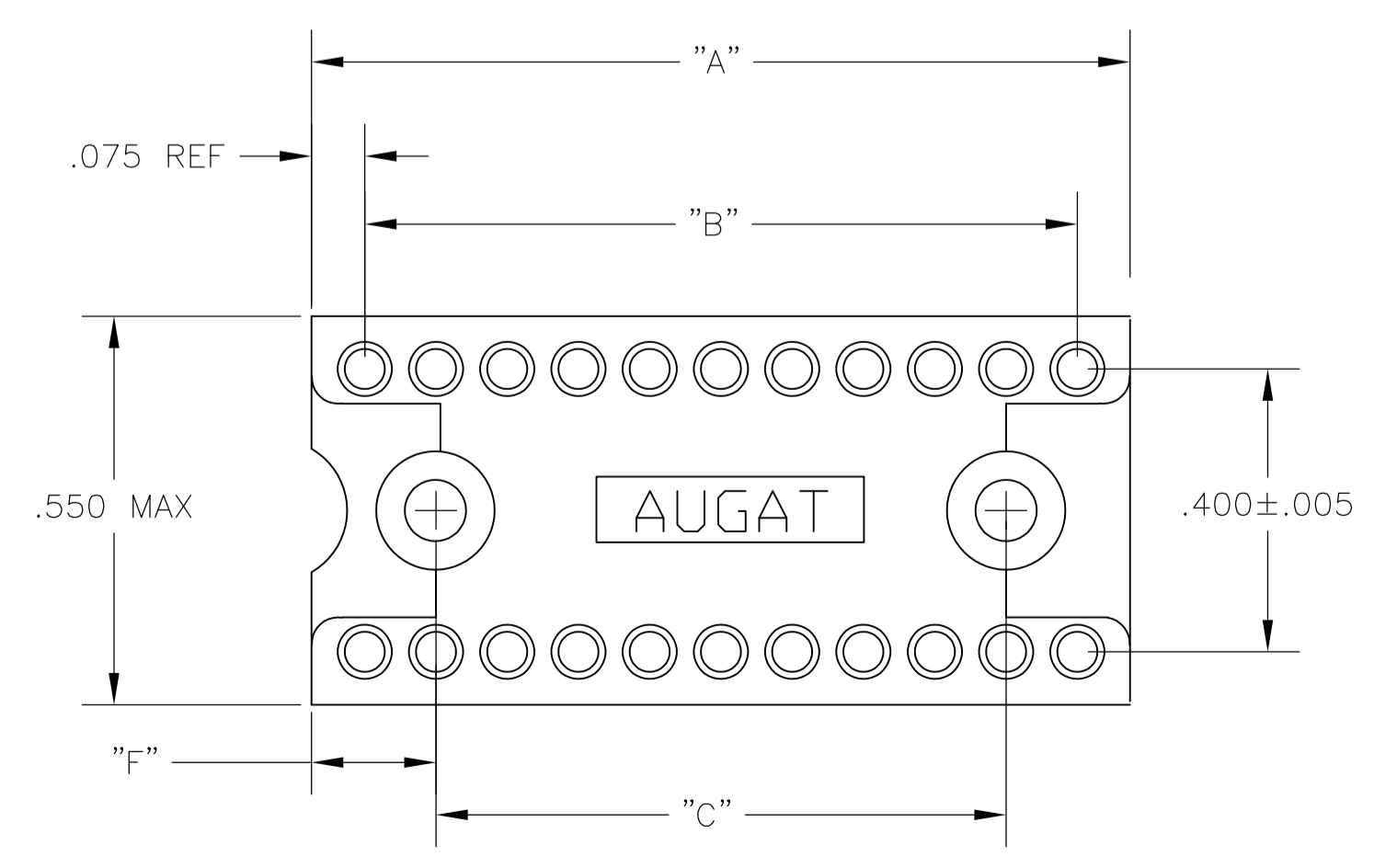


FIG. 4



P.C.B HOLE LAYOUT  
TOLERANCE ±.003



- INSULATOR MATERIAL - THERMOPLASTIC POLYESTER, PCT, BLK, UL94 V-0.
- CONTACT PLATING - .000180-.000340 THK TIN (LEAD FREE) OVER .000050-.000180 THK COPPER.
- OBsolete PARTS: OBSOLETE CIS STREAMLINING PER D.RENAUD/D.SINISI

OBSOLETE	3	.150	.500	.900	1.500	1.900	2.000	40	1-1571549-1
	3	.150	.500	.900	1.500	1.700	1.800	36	1-1571549-0
	3	.150	.500	.900	-	1.500	1.600	32	1571549-9
	3	.150	.500	.900	-	1.300	1.400	28	1571549-8
OBSOLETE	3	.150	.500	.900	-	1.100	1.200	24	1571549-7
	4	.175	-	-	.800	1.000	1.150	22	1571549-6
OBSOLETE	1	.250	-	-	.500	.900	1.000	20	1571549-5
	1	.150	-	-	.600	.800	.900	18	1571549-4
OBSOLETE	1	.150	-	-	.500	.700	.800	16	1571549-3
	1	.150	-	-	.400	.600	.700	14	1571549-2
OBSOLETE	2	.200	-	-	-	.300	.400	8	1571549-1
FIG	"F"	"E"	"D"	"C"	"B"	"A" MAX	NO. OF POSN	PART NO.	

THIS DRAWING IS A CONTROLLED DOCUMENT.

DIMENSIONS: INCHES	TOLERANCES UNLESS OTHERWISE SPECIFIED:	DWG: T. KRAYBILL	30SEP03	Tyco Electronics Corporation
0. PLC ± -	1. PLC ± -	CHK: K. WRIGHT		Harrisburg, Pa 17105-3608
2. PLC ± -	3. PLC ± -	APP'D: K. WRIGHT		NAME: DIP ADAPTER, FORK TOP PIN, LEAD FREE (REF AUGAT 600 SERIES ADAPTER)
4. PLC ± -	ANGLES ± -	APPLICATION SPEC		SIZE: A1
MATERIAL: -	FINISH: -	WEIGHT: -		CAGE CODE: 00779
				DRAWING NO: 1571549
				RESTRICTED TO: -
				CUSTOMER DRAWING
				SCALE: 8:1
				SHEET: 1 OF 1
				REV: A1

## X-ON Electronics

Largest Supplier of Electrical and Electronic Components

*Click to view similar products for IC & Component Sockets category:*

*Click to view products by TE Connectivity manufacturer:*

Other Similar products are found below :

[714-43-102-31-012000](#) [0066-3-17-15-30-14-02-0](#) [0134-0-15-15-32-27-04-0](#) [614-DG5](#) [6527-0-00-15-00-00-03-0](#) [670](#) [672](#) [673](#) [712-93-120-41-001000](#) [714-93-104-31-018000](#) [8059-4G1-LF](#) [807-22-001-10-001101](#) [807-22-001-10-003101](#) [807-22-001-10-004101](#) [807-22-001-10-006101](#) [807-22-001-30-011101](#) [807-22-001-30-012101](#) [807-22-001-30-013101](#) [807-22-001-30-014101](#) [8-1437531-4](#) [8150-6P10](#) [833-93-034-10-001000](#) [835-43-014-10-001000](#) [851-41-006-10-001000](#) [851-43-008-20-001000](#) [851-43-014-20-001000](#) [851-93-006-20-001000](#) [851-93-010-20-001000](#) [853-43-020-10-001000](#) [86.010.0053.0](#) [116-43-306-41-003000](#) [116-43-308-41-007000](#) [PX-68LCC](#) [PX-84LCC](#) [121-13-318-41-001000](#) [121-13-320-41-001000](#) [121-13-308-41-001000](#) [123-43-314-41-801000](#) [123-43-420-41-001000](#) [123-43-636-41-001000](#) [123-87-320-41-001101](#) [122-13-316-41-001000](#) [123-13-624-41-001000](#) [123-43-306-41-001000](#) [123-43-322-41-801000](#) [123-43-428-41-001000](#) [123-43-624-41-001000](#) [12-3513-11](#) [123-91-320-41-001000](#) [126-43-310-41-002000](#)