

THIS DRAWING IS UNPUBLISHED. RELEASED FOR PUBLICATION 2-1437565-7, 2-1437565-7
 © COPYRIGHT 2-1437565-7 ALL RIGHTS RESERVED.

| LOC | | DIST | | REVISIONS | | | |
|-----|----|------|-----|---------------------------|-----------|-----|------|
| AD | 00 | P | LTR | DESCRIPTION | DATE | DWN | APVD |
| | | V | | REVISED PER ECO-15-002755 | 28FEB2015 | NK | RH |

SPECIFICATIONS:

MATERIALS:

CASE: GLASS FILLED PPS, UL94V-0 BROWN
 COVER: STAINLESS STEEL
 ACTUATOR BUTTON: SEE TABLE - UL94V-0
 MOVING CONTACT: COPPER ALLOY, SILVER CLAD
 MOVING CONTACT: (1571563-1,-2,-7&-8), STAINLESS STEEL,
 AG CLAD OVER NICKEL
 FIXED CONTACT/TERMINAL, COPPER ALLOY-SILVER OVER NICKEL PLATE

ELECTRICAL:

MAX CONTACT RATING: 50MILLIAMPS@24V DC
 MIN CONTACT RATING: 10MICROAMPS@1V DC
 INITIAL CONTACT RESISTANCE: 100 MILLIOHMS MAX.
 INSULATION RESISTANCE: 100 MEGOHMS AT 100 VDC MIN.
 DIELECTRIC STRENGTH: 500 VAC 50/60 Hz FOR 1 MINUTE.
 LIFE EXPECTANCY: (SEE TABLE)

MECHANICAL:

ACTUATION FORCE: (SEE TABLE)
 ACTUATION TRAVEL: 0.25 +0.20/-0.10 [.010 +.008/-.004]

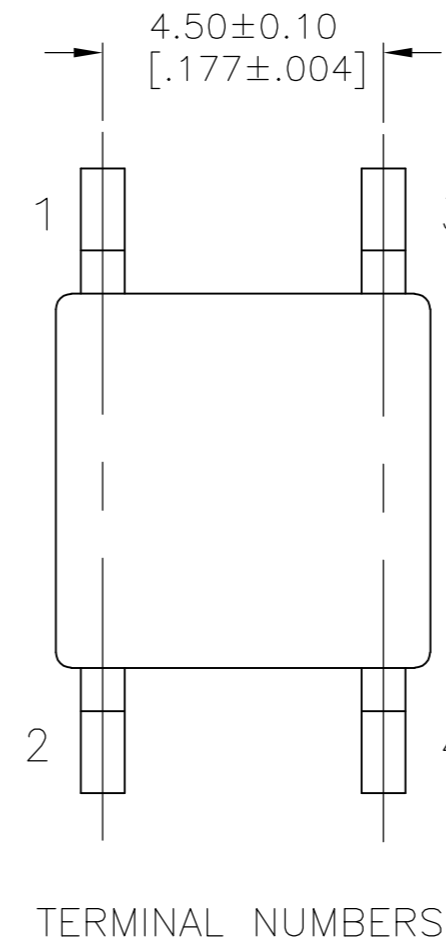
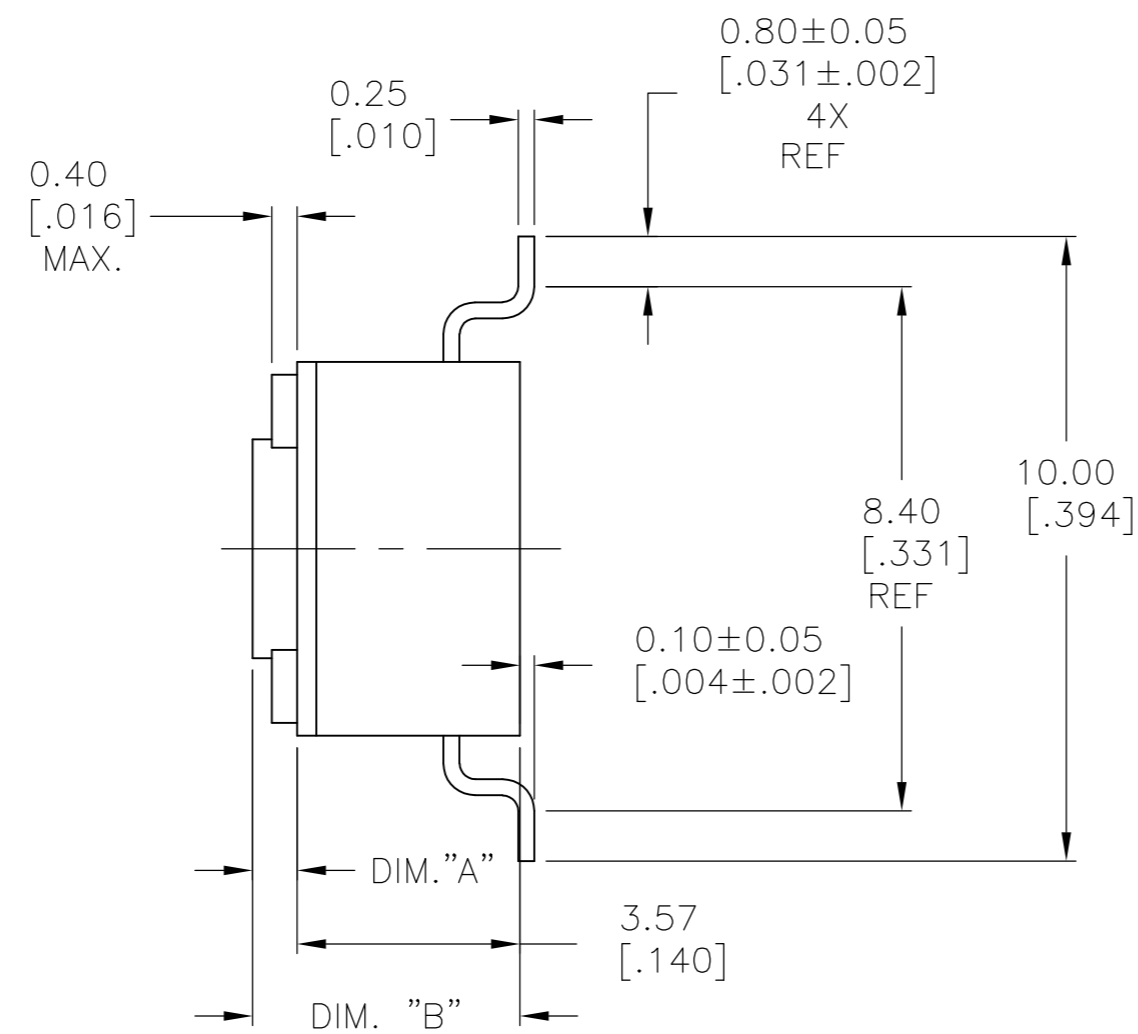
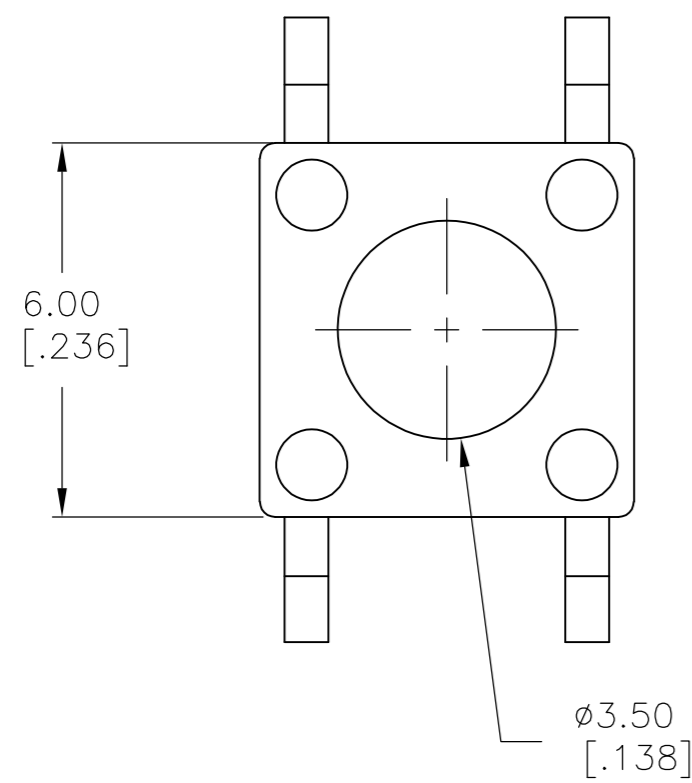
ENVIRONMENTAL:

OPERATING TEMPERATURE: -35°C TO +85°C
 STORAGE TEMPERATURE: -35°C TO +85°C
 SOLDER HEAT RESISTANCE PER 109-201, CONDITION B

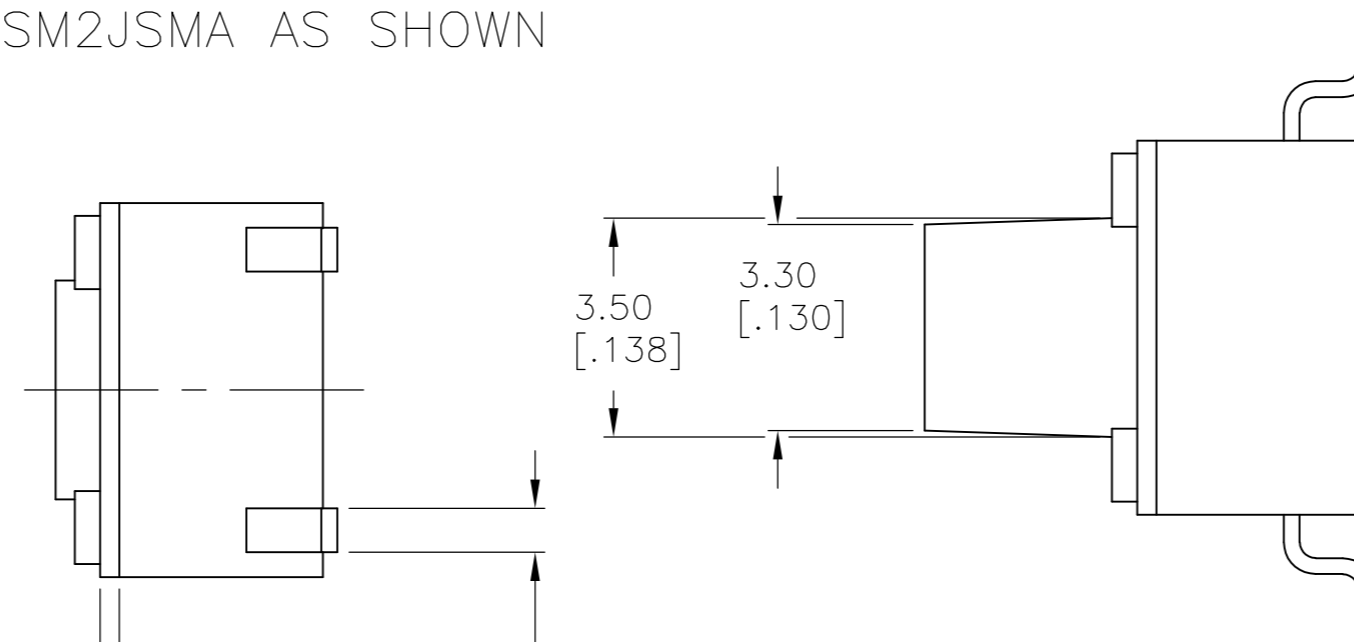
SOLDERABILITY:

SPECIFICATION EIA-364-52, CLASS 1, CATEGORY 2

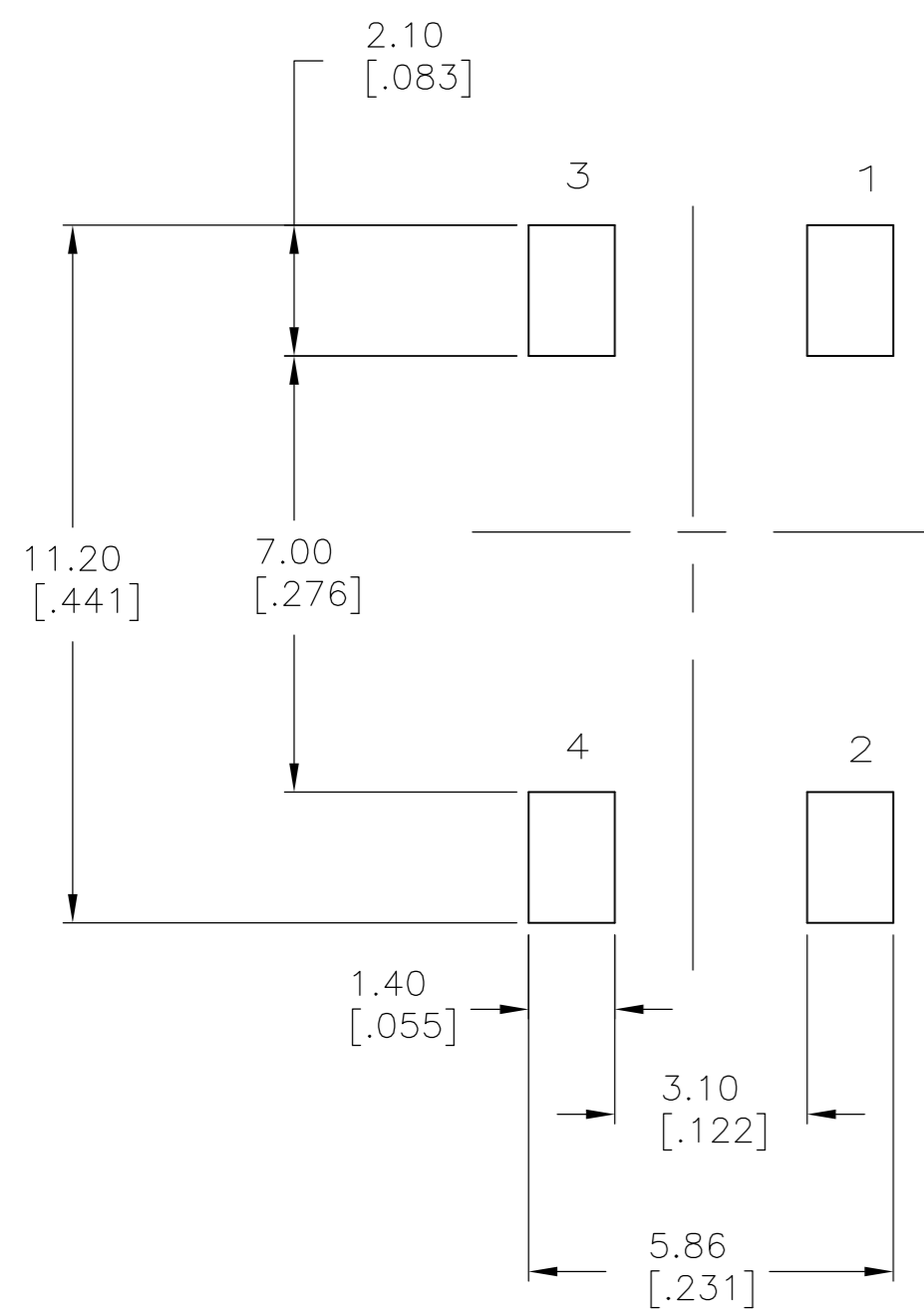
- 1 TAPE AND REEL PACKAGING PER EIA 481.
- 2 ALL MATERIALS AND FINISHES SHALL COMPLY WITH EU DIRECTIVE 2002/95/EC OF 27JAN2003 (ROHS)



FSM2JSMA AS SHOWN



DIM B (7.01[.276]) AND LONGER MODELS




| | | |
|----------------------------------|-----------------|------------|
| ()-INDICATES MOMENTARY POSITION | | |
| CIRCUIT CHARACTERISTICS | | |
| CONTACT POSITION | CIRCUIT DIAGRAM | |
| OFF | (ON) | 1 3 2 4 |
| 1 - 3 2 - 4 | | |

| | | | | |
|--|--|--------------------------------|--|--------------------|
| THIS DRAWING IS A CONTROLLED DOCUMENT. | | DWN D.SARKISIAN 04MAY04 | TE Connectivity | |
| DIMENSIONS: mm [INCHES] | | CHK D.SARKISIAN 22APR94 | NAME MICRO MINIATURE PUSHBUTTON SWITCH FSM JSM | |
| TOLERANCES UNLESS OTHERWISE SPECIFIED: | | APVD D.SARKISIAN 22APR94 | SIZE A2 | CAGE CODE 00779 |
| 0 PLC ± - | | PRODUCT SPEC | DRAWING NO C=2-1437565-7 | RESTRICTED TO |
| 1 PLC ± - | | APPLICATION SPEC | SCALE 8:1 | SHEET 1 of 2 |
| 2 PLC ± 0.30[.012] | | WEIGHT - | REV V | |
| 3 PLC ± - | | CUSTOMER DRAWING | | |
| 4 PLC ± - | | | | |
| ANGLES ± 1° | | | | |
| FINISH | | | | |

THIS DRAWING IS UNPUBLISHED. RELEASED FOR PUBLICATION 2-1437565-7, 2-1437565-7
 © COPYRIGHT 2-1437565-7 ALL RIGHTS RESERVED.

| LOC | DIST | REVISIONS | | | | | |
|-----|------|-----------|-----|-------------|------|-----|------|
| AD | 00 | P | LTR | DESCRIPTION | DATE | DWN | APVD |
| | | - | | SEE SHEET 1 | | - | - |

| | | | | | | | | | | | |
|----------|--|------------|----------------|-------------------|-----------------|-------|------------|------------------------|-----------------------|-----------------|-------------|
| | | 100,000 | WHITE | NYLON | 260G±50G | 12MM | 24MM | 13.00±0.10 [.512±.010] | 9.40±0.10 [.370±.004] | FSM14JSMAATR | 1571563-6 |
| | | 100,000 | WHITE | NYLON | 260G±50G | - | - | 13.00±0.10 [.512±.010] | 9.40±0.10 [.370±.004] | FSM14JSMAA | 1571563-5 |
| OBSOLETE | | 100,000 | BROWN | NYLON | 100G±50G | - | - | 13.00±0.10 [.512±.010] | 9.40±0.10 [.370±.004] | FSM14JSML | 1-1571563-0 |
| | | 100,000 | WHITE | NYLON | 260G±50G | 12MM | 24MM | 9.50±0.10 [.374±.004] | 5.89±0.10 [.232±.004] | FSM8JSMAATR | 1-1571563-4 |
| OBSOLETE | | 100,000 | WHITE | NYLON | 260G±50G | - | - | 9.50±0.10 [.374±.004] | 5.89±0.10 [.232±.004] | FSM8JSMAA | 1-1571563-3 |
| | | 100,000 | BLACK | PPS | 160G±50G | 12MM | 24MM | 9.50±0.10 [.374±.004] | 5.89±0.10 [.232±.004] | FSM8JSMATR | 1571563-9 |
| | | 100,000 | BLACK | PPS | 160G±50G | - | - | 9.50±0.10 [.374±.004] | 5.89±0.10 [.232±.004] | FSM8JSMA | 3-1437566-8 |
| OBSOLETE | | 100,000 | WHITE | NYLON | 260G±50G | 12MM | 24MM | 7.01±0.10 [.276±.004] | 3.40±0.10 [.134±.004] | FSM6JSMAATR | 1-1571563-2 |
| OBSOLETE | | 100,000 | WHITE | NYLON | 260G±50G | - | - | 7.01±0.10 [.276±.004] | 3.40±0.10 [.134±.004] | FSM6JSMAA | 1-1571563-1 |
| | | 100,000 | BLACK | PPS | 160G±50G | 12MM | 24MM | 7.01±0.10 [.276±.004] | 3.40±0.10 [.134±.004] | FSM6JSMATR | 5-1437565-0 |
| | | 100,000 | BLACK | PPS | 160G±50G | - | - | 7.01±0.10 [.276±.004] | 3.40±0.10 [.134±.004] | FSM6JSMA | 4-1437565-9 |
| | | 1,000,000 | VIOLET | NYLON | 70G±30G | 12MM | 16MM | 4.98±0.25 [.196±.010] | 1.40±0.10 [.055±.004] | FSM4JSMXLTR | 1571563-2 |
| | | 1,000,000 | VIOLET | NYLON | 70G±30G | - | - | 4.98±0.25 [.196±.010] | 1.40±0.10 [.055±.004] | FSM4JSMXL | 1571563-1 |
| | | 100,000 | WHITE | NYLON | 260G±50G | 12MM | 16MM | 4.98±0.25 [.196±.010] | 1.40±0.10 [.055±.004] | FSM4JSMAATR | 1571563-4 |
| OBSOLETE | | 100,000 | WHITE | NYLON | 260G±50G | - | - | 4.98±0.25 [.196±.010] | 1.40±0.10 [.055±.004] | FSM4JSMAA | 1571563-3 |
| | | 100,000 | BLACK | PPS | 160G±50G | 12MM | 16MM | 4.98±0.25 [.196±.010] | 1.40±0.10 [.055±.004] | FSM4JSMATR | 4-1437565-2 |
| | | 100,000 | BLACK | PPS | 160G±50G | - | - | 4.98±0.25 [.196±.010] | 1.40±0.10 [.055±.004] | FSM4JSMA | 4-1437565-1 |
| | | 1,000,000 | BLUE | NYLON | 100G±30G | 12MM | 16MM | 4.98±0.25 [.196±.010] | 1.40±0.10 [.055±.004] | FSM4JSMLSTR | 1571563-8 |
| | | 1,000,000 | BLUE | NYLON | 100G±30G | - | - | 4.98±0.25 [.196±.010] | 1.40±0.10 [.055±.004] | FSM4JSMLS | 1571563-7 |
| | | 100,000 | WHITE | NYLON | 260G±50G | 12MM | 16MM | 4.29±0.15 [.169±.006] | 0.71±0.10 [.028±.004] | FSM2JSMAATR | 2-1437565-9 |
| | | 100,000 | WHITE | NYLON | 260G±50G | - | - | 4.29±0.15 [.169±.006] | 0.71±0.10 [.028±.004] | FSM2JSMAA | 2-1437565-8 |
| | | 100,000 | GRAY | PPS | 160G±50G | 12MM | 16MM | 4.29±0.15 [.169±.006] | 0.71±0.10 [.028±.004] | FSM2JSMATR | 3-1437565-0 |
| | | 100,000 | GRAY | PPS | 160G±50G | - | - | 4.29±0.15 [.169±.006] | 0.71±0.10 [.028±.004] | FSM2JSMA | 2-1437565-7 |
| | | 200,000 | BROWN | PPS | 100±50G | 12MM | 16MM | 4.29±0.15 [.169±.006] | 0.71±0.10 [.028±.004] | FSM2JSMLTR | 1571527-2 |
| | | 200,000 | BROWN | PPS | 100±50G | - | - | 4.29±0.15 [.169±.006] | 0.71±0.10 [.028±.004] | FSM2JSML | 1571527-1 |
| | | LIFE CYCLE | ACTUATOR COLOR | ACTUATOR MATERIAL | ACTUATION FORCE | PITCH | TAPE WIDTH | DIM 'B' | | DIM 'A' | |
| | | | | | | | | | | T&B PART NUMBER | PART NUMBER |

| | | | | | | | | |
|---|-------------|---|---|-------------|------------|--------------------|-----------------------------|--------------------|
| THIS DRAWING IS A CONTROLLED DOCUMENT. | | DWN D.SARKISIAN 04MAY04 |  TE Connectivity | | | | | |
| DIMENSIONS: mm [INCHES] | | CHK D.SARKISIAN 22APR94 | | | | | | |
| TOLERANCES UNLESS OTHERWISE SPECIFIED: | | APVD D.SARKISIAN 22APR94 | | | | | | |
| 0 PLC ± - 1 PLC ± - 2 PLC ± 0.30[.012] 3 PLC ± - 4 PLC ± - ANGLES ± 1° | | NAME MICRO MINIATURE PUSHBUTTON SWITCH FSM JSM | | | | | | |
| MATERIAL - | FINISH - | PRODUCT SPEC - | APPLICATION SPEC - | WEIGHT - | SIZE A2 | CAGE CODE 00779 | DRAWING NO C=2-1437565-7 | RESTRICTED TO - |
| CUSTOMER DRAWING | | | | | | SCALE - | SHEET 2 of 2 | REV V |

X-ON Electronics

Largest Supplier of Electrical and Electronic Components

Click to view similar products for [Tactile Switches](#) category:

Click to view products by [TE Connectivity](#) manufacturer:

Other Similar products are found below :

[5GTH92001](#) [1-1977120-4](#) [ADTSA62NV](#) [ADTSA62RV](#) [ADTSA63KV](#) [ADTSA644NV](#) [ADTSMW66NV](#) [ADTSMW67RV](#) [B3F-3123](#) [B3F-6055A](#) [B3F-B32-01-KIT](#) [1977177-8](#) [1977266-1](#) [ADTS644KV](#) [ADTSA61RV](#) [ADTSA62KV](#) [ADTSA63NV](#) [ADTSA63RV](#) [ADTSM21NSVTR](#) [ADTSM32NVTR](#) [ADTSM63SVTR](#) [ADTSM644KVTR](#) [ADTSMW64RV](#) [ADTSMW69NV](#) [FSMRA4JHA04](#) [GS4.70F300QP](#) [3ESH9R](#) [506E00201](#) [MJTP1164TR](#) [3FTL600RAS](#) [3FTL640RAS](#) [Y96K132V0FPLFS](#) [101-TS5022T1601-EV](#) [5GSH92001](#) [KSJ0A231](#) [80SH LFG](#) [ADTSM31NVTR](#) [EVQ-P1D05K](#) [MJTP1162TR](#) [ADTSM63KV](#) [2-1977120-7](#) [TSJW-5.2-260-TR](#) [KMT011MNGJLHS](#) [B3WN6002S](#) [ADTSA648RV](#) [70-201.0](#) [ADTSG648NV](#) [ADTSM62KSVTR](#) [ATA600VTR](#) [ADTSG66RV](#) [ADTS61NV](#)