

FIG. 1

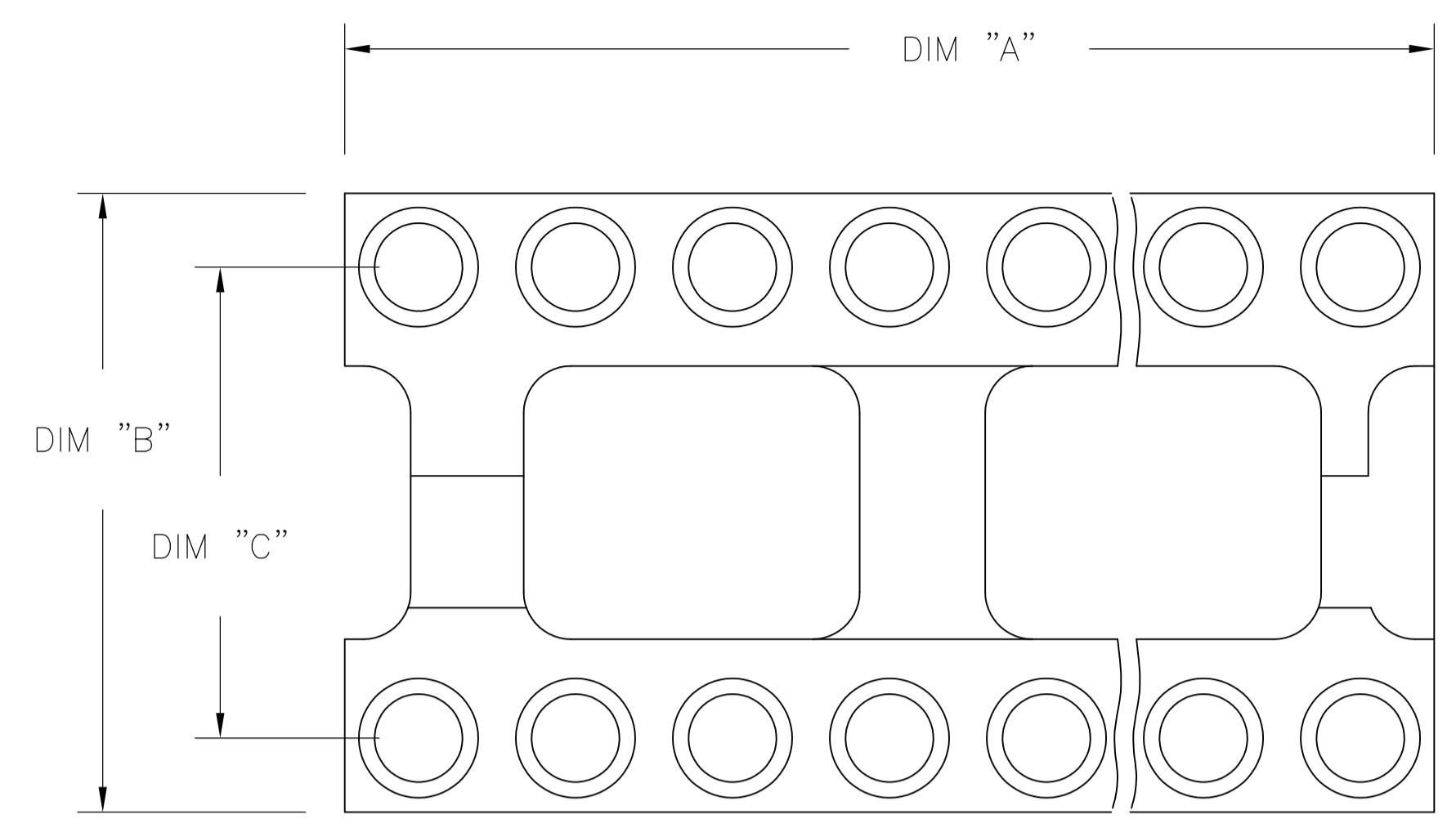


FIG. 2

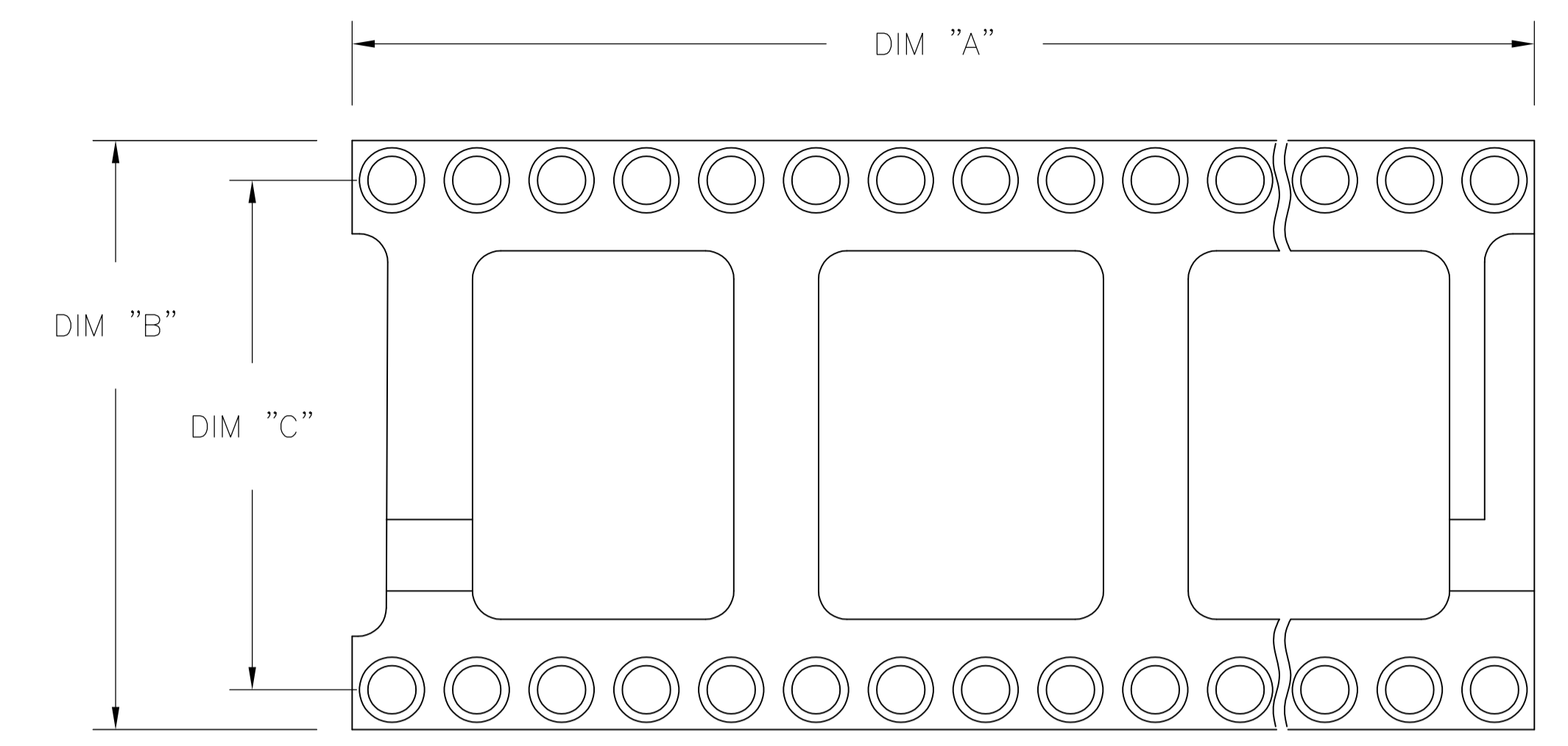
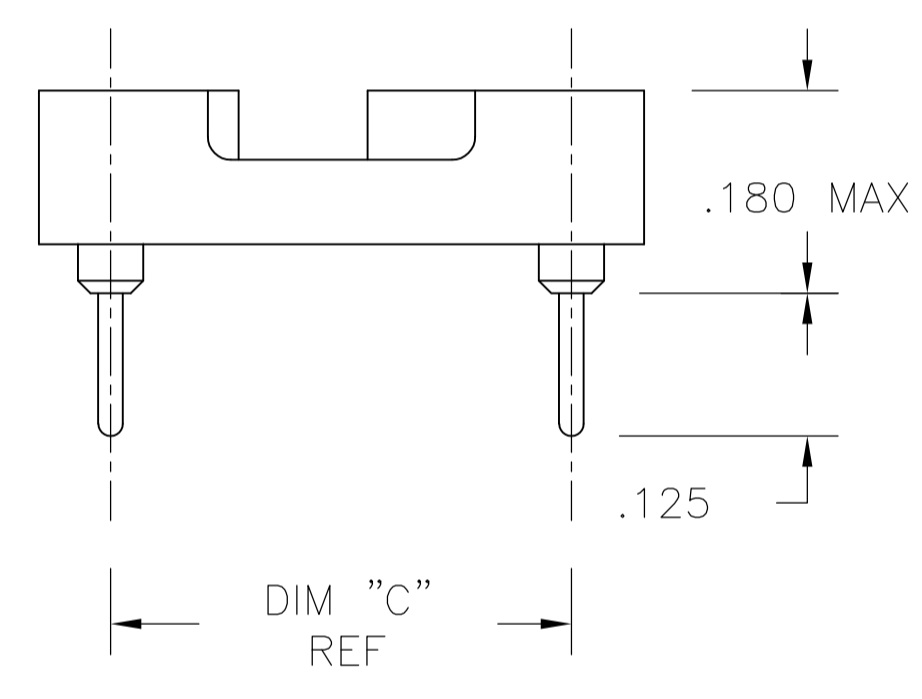
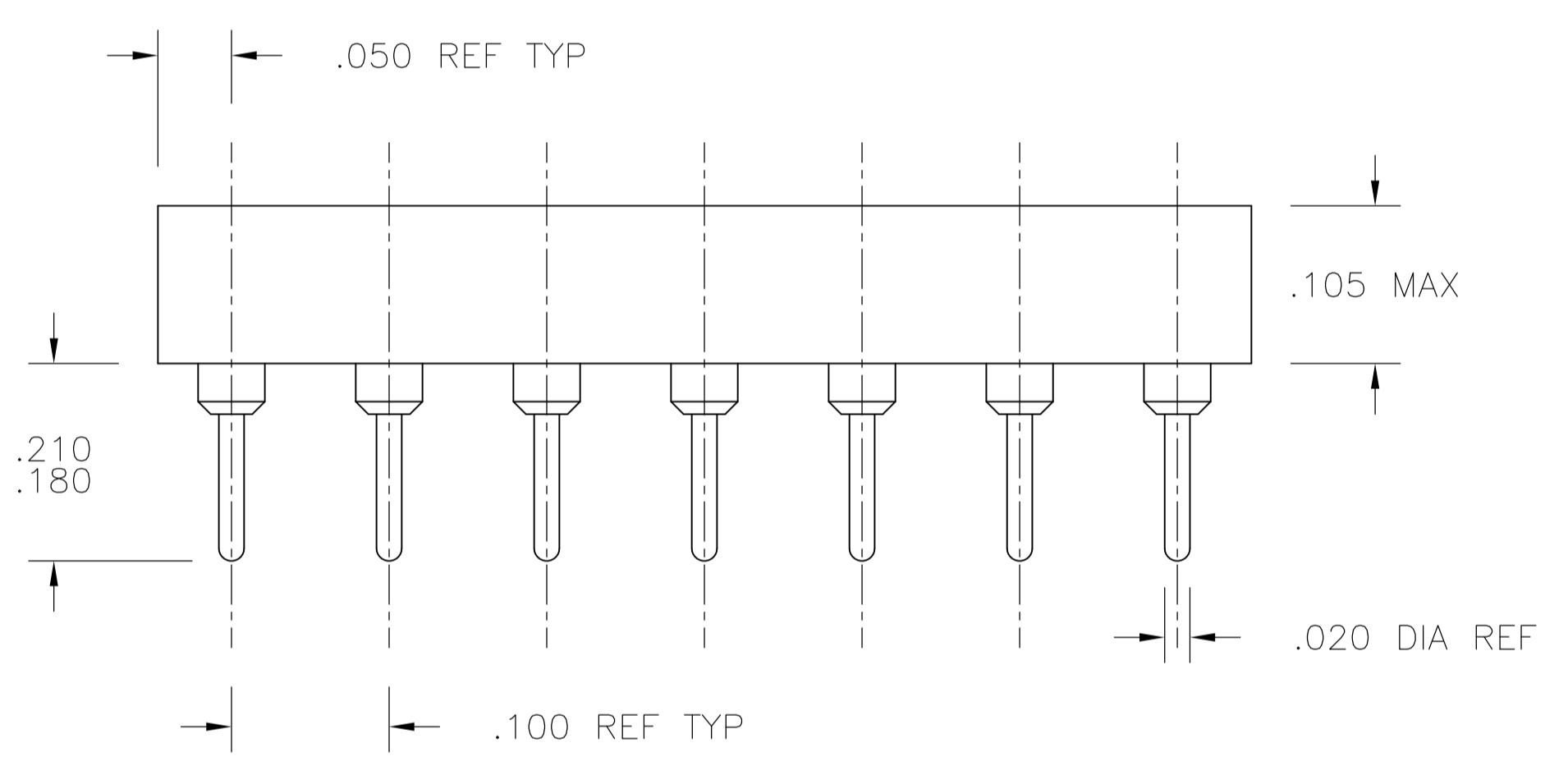
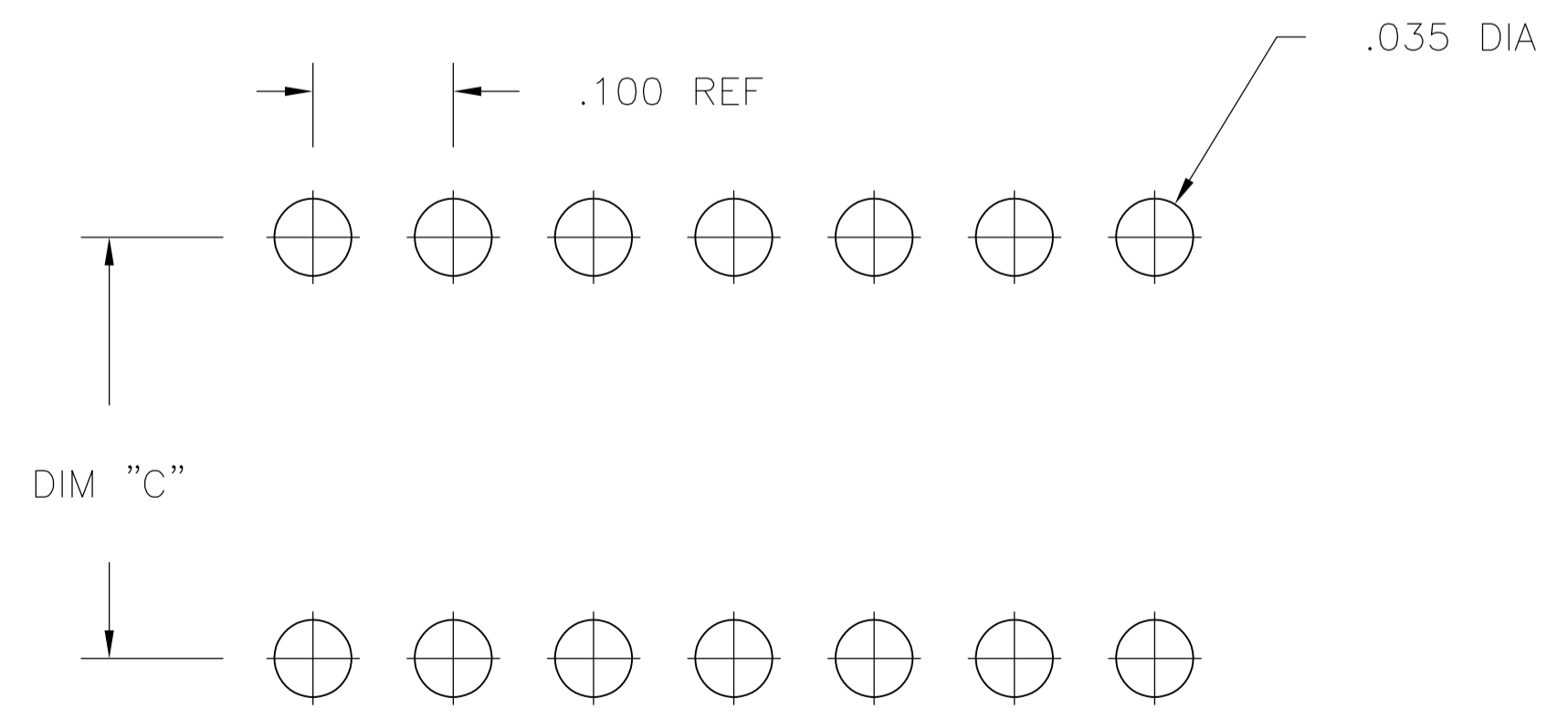


FIG. 3



1. INSULATOR MATERIAL - THERMOPLASTIC POLYESTER, PCT, BLACK, UL94 V-0
2. MACHINED CONTACT - BECU, PLATED WITH 80-200μ" TIN (LEAD FREE) OVER 75-100μ" COPPER.
3. SLEEVE - COPPER, PLATED WITH 180-340μ" THK TIN (LEAD FREE) OVER 75-125 MIN NICKEL.
4. MACHINED CONTACT - BECU, PLATED WITH 25μ" MIN. GOLD OVER 30-100μ" NICKEL.
5. ELECTRICAL:
 CONTACT RESISTANCE: 10 MILLIOHMS MAX
 CONTACT RATING: 3 AMPS
 CAPACITANCE: 1.0 pF PER MIL-STD-202, METHOD 305
 INSULATION RESISTANCE: 5000 OHMS MIN @ 500 VDC PER MIL-STD-1344, METHOD 3003.1
 DIELECTRIC WITHSTANDING VOLTAGE: 1000 VOLTS (RMS) PER MIL-STD-1344, METHOD 3001.1
6. MECHANICAL:
 INSERTION FORCE: 134 GRAMS AVG
 WITHDRAWAL FORCE: 63 GRAMS AVG
 "ACCEPTS IC PIN - .009"X.015" THROUGH .011"X.020", OR .016" TO .021" DIAMETER, .150/.105 LONG"
7. ENVIRONMENTAL:
 OPERATING TEMPERATURE: -55°C TO -105°C
8. OBSOLETE PARTS: OBSOLETE CIS STREAMLINING PER D.RENAUD/D.SINISI



P.C.B. HOLE LAYOUT
 TOLERANCE ±.003

THIS DRAWING IS A CONTROLLED DOCUMENT.		DIN T.KRAYBILL 07NOV03	TE Connectivity	
DIMENSIONS: INCHES		CHK K.WRIGHT	NAME: OPEN FRAME DIP, PREMIUM (MACHINE CONTACT), LEAD FREE (REF AUGAT 800 SERIES)	
TOLERANCES UNLESS OTHERWISE SPECIFIED:		APVD K.WRIGHT	PRODUCT SPEC	
0. PLC ± -		APPLICATION SPEC		
1. PLC ± -		SIZE: A1		
2. PLC ± -		CAGE CODE: 00779		
3. PLC ± .005		DRAWING NO: 1571586		
4. PLC ± -		RESTRICTED TO: -		
ANGLES ± -		WEIGHT: -		
MATERIAL: -		CUSTOMER DRAWING		
FINISH: -		SCALE: 4:1 SHEET 1 OF 2 REV B2		

$\triangle\triangle\triangle$	OBSOLETE	GOLD	TIN	.400±.005	.500	1.200	2	24	3-1571586-7
$\triangle\triangle\triangle$		GOLD	TIN	.300±.005	.400	1.200	2	24	3-1571586-6
$\triangle\triangle\triangle$		GOLD	TIN	.900±.005	1.000	3.200	3	64	3-1571586-5
$\triangle\triangle\triangle$		GOLD	TIN	.600±.005	.700	2.400	3	48	3-1571586-4
$\triangle\triangle\triangle$		GOLD	TIN	.600±.005	.700	2.100	3	42	3-1571586-3
$\triangle\triangle\triangle$		GOLD	TIN	.600±.005	.700	2.000	3	40	3-1571586-2
$\triangle\triangle\triangle$		GOLD	TIN	.600±.005	.700	1.800	3	36	3-1571586-1
$\triangle\triangle\triangle$		GOLD	TIN	.600±.005	.700	1.600	3	32	3-1571586-0
$\triangle\triangle\triangle$		GOLD	TIN	.600±.005	.700	1.400	2	28	2-1571586-9
$\triangle\triangle\triangle$		GOLD	TIN	.600±.005	.700	1.200	2	24	2-1571586-8
$\triangle\triangle\triangle$		GOLD	TIN	.400±.005	.500	1.100	2	22	2-1571586-7
$\triangle\triangle\triangle$		GOLD	TIN	.300±.005	.400	1.000	2	20	2-1571586-6
$\triangle\triangle\triangle$		GOLD	TIN	.300±.005	.400	.900	2	18	2-1571586-5
$\triangle\triangle\triangle$		GOLD	TIN	.300±.005	.400	.800	2	16	2-1571586-4
$\triangle\triangle\triangle$		GOLD	TIN	.300±.005	.400	.700	2	14	2-1571586-3
$\triangle\triangle\triangle$		GOLD	TIN	.300±.005	.400	.400	1	8	2-1571586-2
$\triangle\triangle\triangle$		TIN	TIN	.400±.005	.500	1.200	2	24	1-1571586-7
$\triangle\triangle\triangle$		TIN	TIN	.300±.005	.400	1.200	2	24	1-1571586-6
$\triangle\triangle\triangle$	OBSOLETE	TIN	TIN	.900±.005	1.000	3.200	3	64	1-1571586-5
$\triangle\triangle\triangle$	OBSOLETE	TIN	TIN	.600±.005	.700	2.400	3	48	1-1571586-4
$\triangle\triangle\triangle$	OBSOLETE	TIN	TIN	.600±.005	.700	2.100	3	42	1-1571586-3
$\triangle\triangle\triangle$	OBSOLETE	TIN	TIN	.600±.005	.700	2.000	3	40	1-1571586-2
$\triangle\triangle\triangle$	OBSOLETE	TIN	TIN	.600±.005	.700	1.800	3	36	1-1571586-1
$\triangle\triangle\triangle$		TIN	TIN	.600±.005	.700	1.600	3	32	1-1571586-0
$\triangle\triangle\triangle$	OBSOLETE	TIN	TIN	.600±.005	.700	1.400	2	28	1571586-9
$\triangle\triangle\triangle$	OBSOLETE	TIN	TIN	.600±.005	.700	1.200	2	24	1571586-8
$\triangle\triangle\triangle$	OBSOLETE	TIN	TIN	.400±.005	.500	1.100	2	22	1571586-7
$\triangle\triangle\triangle$		TIN	TIN	.300±.005	.400	1.000	2	20	1571586-6
$\triangle\triangle\triangle$	OBSOLETE	TIN	TIN	.300±.005	.400	.900	2	18	1571586-5
$\triangle\triangle\triangle$	OBSOLETE	TIN	TIN	.300±.005	.400	.800	2	16	1571586-4
$\triangle\triangle\triangle$	OBSOLETE	TIN	TIN	.300±.005	.400	.700	2	14	1571586-3
$\triangle\triangle\triangle$		TIN	TIN	.300±.005	.400	.400	1	8	1571586-2

FINISH	"C" MAX	"B" MAX	"A" MAX	FIG	NO. OF POSN	PART NO.
CONTACT/SLEEVE						

THIS DRAWING IS A CONTROLLED DOCUMENT.		DIN T. KRAYBILL 07NOV03	TE Connectivity	
DIMENSIONS: INCHES	TOLERANCES UNLESS OTHERWISE SPECIFIED:	CHK K. WRIGHT	NAME	OPEN FRAME DIP, PREMIUM (MACHINE CONTACT), LEAD FREE (REF AUGAT 800 SERIES)
0. PLC ± -	1. PLC ± -	APPV K. WRIGHT	PRODUCT SPEC	
2. PLC ± -	3. PLC ± .005	APPLICATION SPEC	SIZE	A1
4. PLC ± -	ANGLES ± -	WEIGHT	CAGE CODE	00779
MATERIAL	FINISH	DRAWING NO	DRAWING NO	1571586
		CUSTOMER DRAWING	SCALE	1:1
			SHEET	2 OF 2
			REV	B2

X-ON Electronics

Largest Supplier of Electrical and Electronic Components

Click to view similar products for IC & Component Sockets category:

Click to view products by TE Connectivity manufacturer:

Other Similar products are found below :

[0066-3-17-15-30-14-02-0](#) [670](#) [672](#) [673](#) [694-13-640-00-672-000](#) [712-93-120-41-001000](#) [714-93-104-31-018000](#) [8059-4G1-LF](#) [807-22-001-10-001101](#) [807-22-001-10-006101](#) [807-22-001-30-011101](#) [807-22-001-30-012101](#) [807-22-001-30-013101](#) [807-22-001-30-014101](#) [8-1437531-4](#) [8150-6P10](#) [833-93-034-10-001000](#) [851-41-006-10-001000](#) [851-43-008-20-001000](#) [851-43-014-20-001000](#) [851-93-006-20-001000](#) [851-93-010-20-001000](#) [853-43-020-10-001000](#) [86.010.0053.0](#) [116-43-308-41-007000](#) [PX-68LCC](#) [121-13-318-41-001000](#) [121-13-320-41-001000](#) [121-13-308-41-001000](#) [123-43-314-41-801000](#) [123-43-420-41-001000](#) [122-13-316-41-001000](#) [123-13-624-41-001000](#) [123-43-306-41-001000](#) [12-3513-11](#) [123-91-320-41-001000](#) [126-43-310-41-002000](#) [AKSUN 37V-T](#) [1437503-9](#) [1437504-1](#) [146-44-308-41-013000](#) [146-43-308-41-012000](#) [160-10-308-00-001000](#) [160-40-320-00-001000](#) [214-99-306-01-670800](#) [232-1270-02-0602](#) [2-382761-4](#) [2-5331677-4](#) [2-640360-3](#) [2801-2-00-50-00-00-07-0](#)