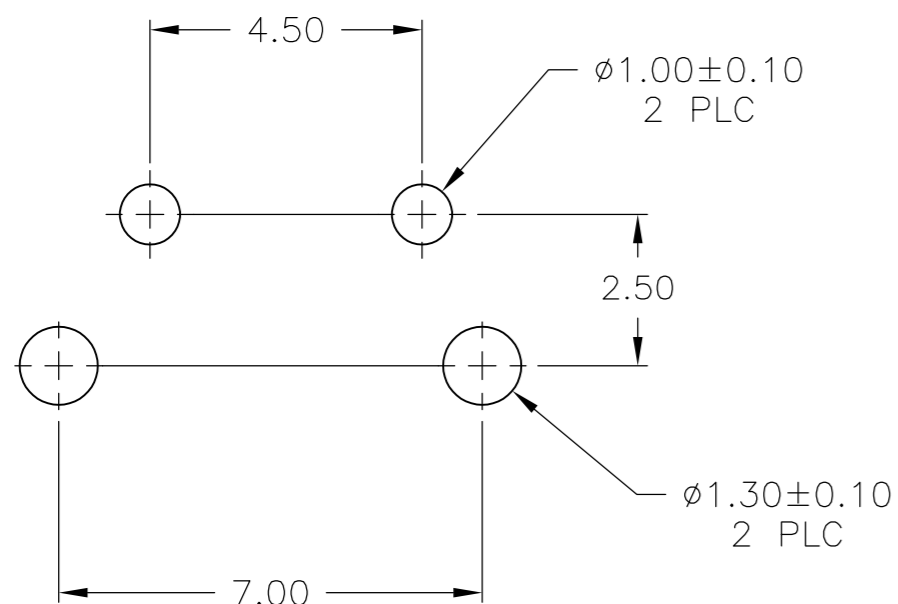
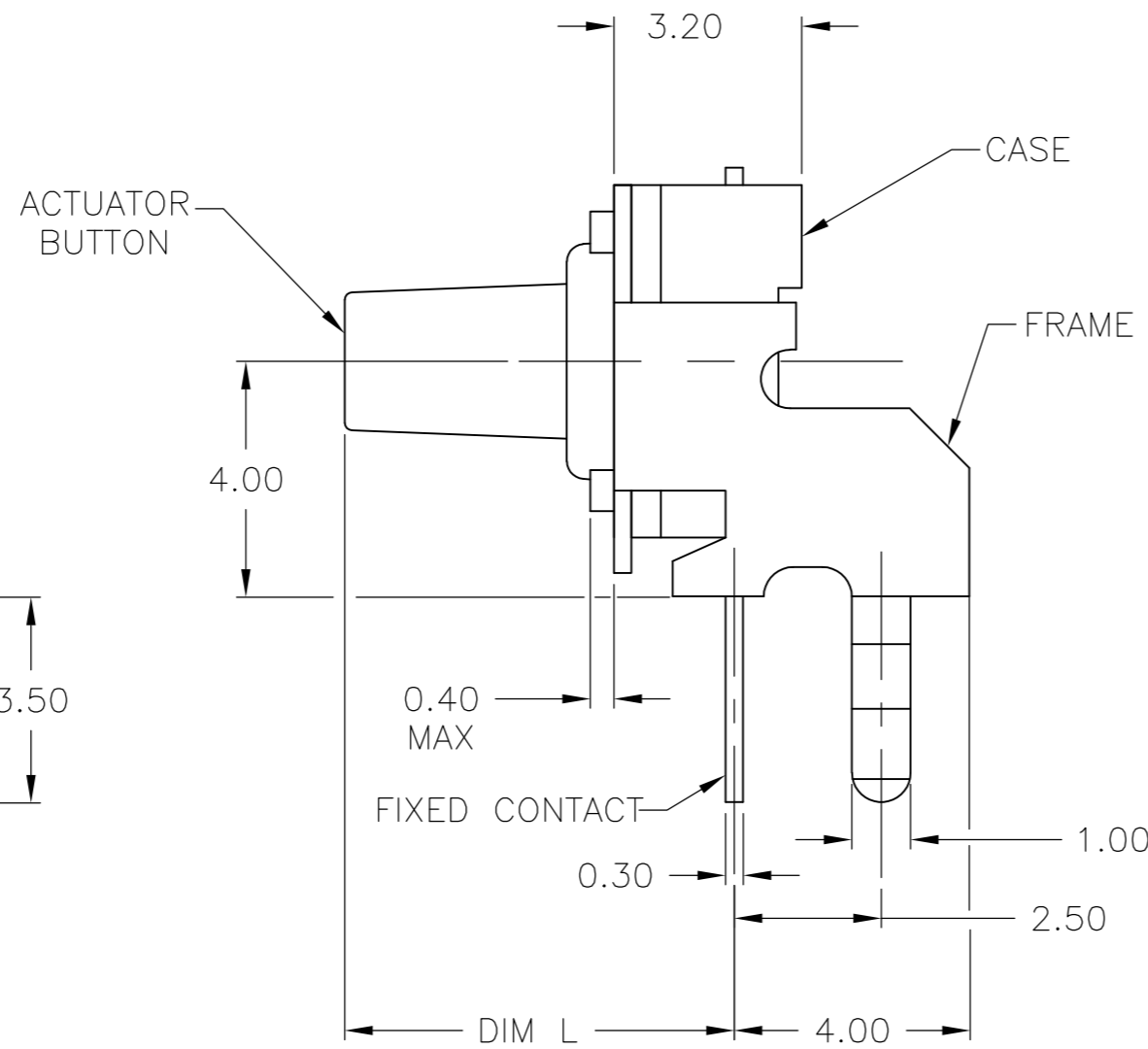
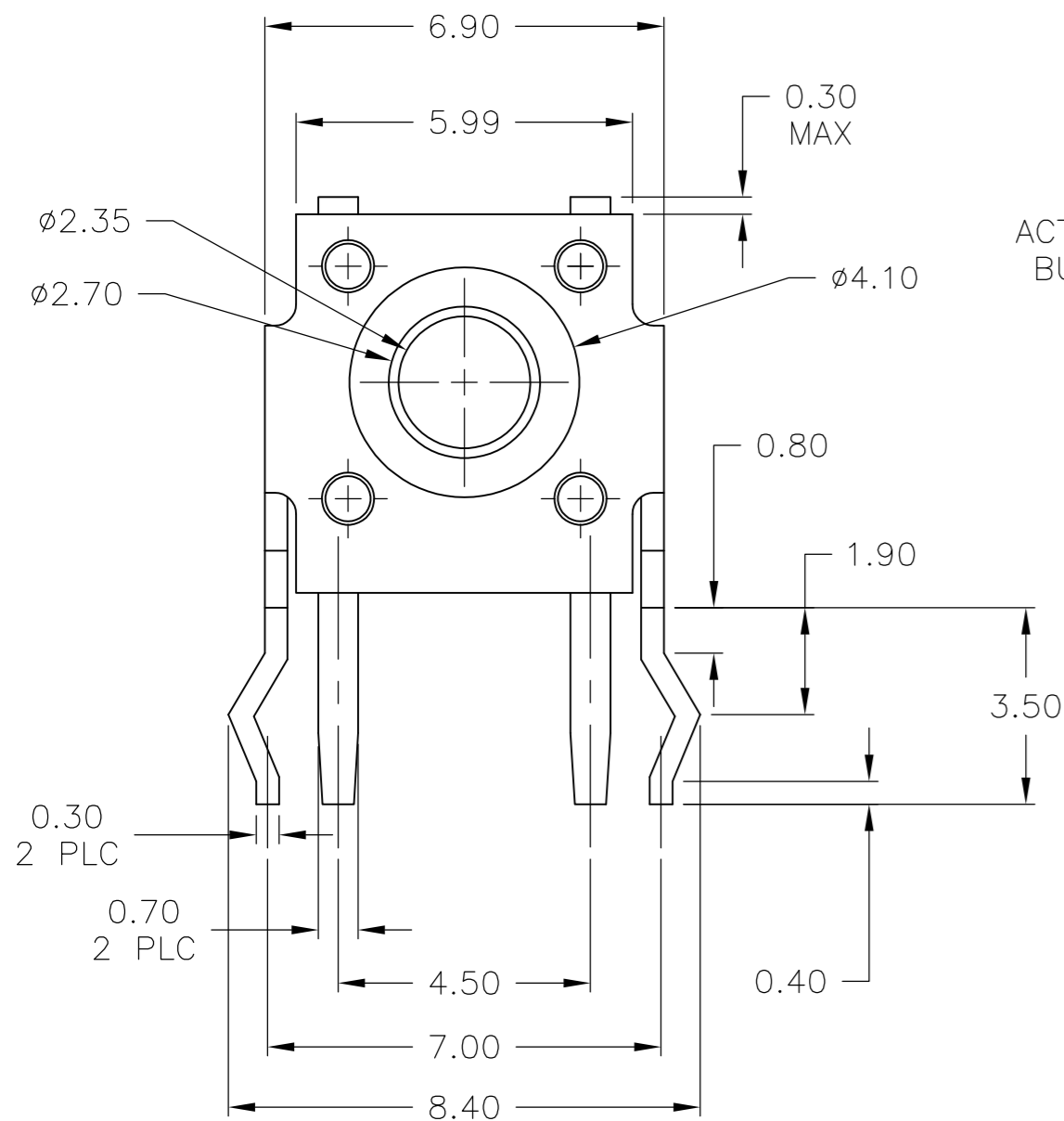
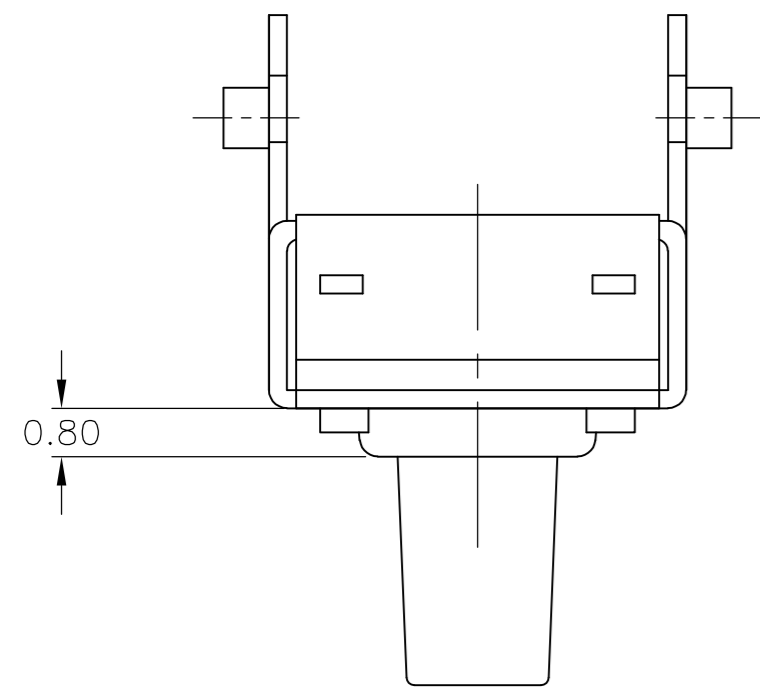


THIS DRAWING IS UNPUBLISHED. RELEASED FOR PUBLICATION  
 © COPYRIGHT - By - ALL RIGHTS RESERVED.

Loc		DIST		REVISIONS			
P	LTR	DESCRIPTION		DATE	DWN	APVD	
	C1	REVISED PER ECO-14-018779		16DEC2014	NK	RH	



RECOMMENDED BOARD LAYOUT

SPECIFICATIONS:

MATERIALS

- CASE- PPS, UL94V-0, BLACK
- ACTUATOR- NYLON 46, UL94V-0, BLACK
- FRAME- STEEL, TIN PLATE
- SEAL- SILICON RUBBER, BLACK
- CONTACT- STAINLESS STEEL, PLATING-SILVER/NICKEL
- TERMINAL- BRASS, PLATING-SILVER/NICKEL

ELECTRICAL:

- MAX CONTACT RATING: 50MILLIAMPS@24V DC
- MIN CONTACT RATING: 10MICROAMPS@1V DC
- INITIAL CONTACT RESISTANCE- 100 MILLIOHMS MAX, PER EIA-364-23B, EACH POSITION
- INSULATION RESISTANCE- 100 MEGOHM MIN. PER EIA-364-21C EACH POSITION
- DIELECTRIC STRENGTH- 500 VAC

MECHANICAL:

- ACTUATION FORCE- SEE TABLE
- ACTUATION TRAVEL- .35 +/- .2 mm
- LIFE EXPECTANCY- 1,000,000 CYCLES MIN (2 CYCLES PER SECOND AND 150% ACTUATION FORCE), PER EIA-448 METHODS 8 AND 9
- VIBRATION- PER EIA 364-28D, CONDITION VII, LEVEL E
- MECHANICAL SHOCK- PER EIA-364-27C, CONDITION A

ENVIRONMENTAL:

- OPERATING TEMPERATURE- -35 TO +85 DEGREES C
- STORAGE TEMPERATURE- -35 TO +85 DEGREES C
- HUMIDITY AND TEMPERATURE CYCLING- PER EIA-364-31B, METHOD III
- THERMAL SHOCK- PER EIA-364-32C, -35 TO +85 DEGREES C
- SOLDERABILITY- PER EIA-364-52, CLASS 2, CATEGORY 1, TEMP, 260 DEGREES C MAX, TIME, 2.5 SECONDS MAX, 95% MINIMUM COVERAGE
- RESISTANCE TO SOLDER HEAT- PER 109-202, CONDITION B
- 1. NO CHANGE IN INITIAL ELECTRICAL AND MECHANICAL CHARACTERISTICS
- SEALING PER IP67 - CONTACT RESISTANCE 100 MILLIOHMS MAX

1 ALL MATERIAL AND FINISHES SHALL COMPLY WITH EU DIRECTIVE 2002/95/EC OF 27JAN2003 (ROHS)

BULK	160±50gf	2.35	3.85	1571610-2
BULK	160±50gf	2.35	6.85	1571610-1
PACKAGING	OPERATING FORCE	I	L	TE PART NUMBER

THIS DRAWING IS A CONTROLLED DOCUMENT.		DWN	R BROWN	19JUN03		TE Connectivity						
DIMENSIONS: mm		CHK	M SARVER	19JUN03		NAME						
TOLERANCES UNLESS OTHERWISE SPECIFIED:		APVD	M SARVER	19JUN03		PRODUCT SPEC						
0 PLC ± - 1 PLC ± - 2 PLC ± 0.30 3 PLC ± - 4 PLC ± - ANGLES ± - FINISH -		APPLICATION SPEC		NAME		SWITCH ASSEMBLY, TACTILE, RIGHT ANGLE, SEALED						
MATERIAL		WEIGHT	-		SIZE	A2	CAGE CODE	00779	DRAWING NO	C=1571610	RESTRICTED TO	-
CUSTOMER DRAWING		SCALE	8:1		SHEET	1 of 1		REV	C1			

## X-ON Electronics

Largest Supplier of Electrical and Electronic Components

*Click to view similar products for [Tactile Switches](#) category:*

*Click to view products by [TE Connectivity](#) manufacturer:*

Other Similar products are found below :

[5GTH92001](#) [1-1977120-4](#) [ADTSA62NV](#) [ADTSA62RV](#) [ADTSA63KV](#) [ADTSA644NV](#) [ADTSMW66NV](#) [ADTSMW67RV](#) [B3F-3123](#) [B3F-6055A](#) [B3F-B32-01-KIT](#) [1977177-8](#) [1977266-1](#) [ADTS644KV](#) [ADTSA61RV](#) [ADTSA62KV](#) [ADTSA63NV](#) [ADTSA63RV](#) [ADTSM21NSVTR](#) [ADTSM32NVTR](#) [ADTSM63SVTR](#) [ADTSM644KVTR](#) [ADTSMW64RV](#) [ADTSMW69NV](#) [FSMRA4JHA04](#) [GS4.70F300QP](#) [3ESH9R](#) [506E00201](#) [MJTP1164TR](#) [3FTL600RAS](#) [3FTL640RAS](#) [Y96K132V0FPLFS](#) [101-TS5022T1601-EV](#) [5GSH92001](#) [KSJ0A231](#) [80SH LFG](#) [ADTSM31NVTR](#) [EVQ-P1D05K](#) [MJTP1162TR](#) [ADTSM63KV](#) [2-1977120-7](#) [TSJW-5.2-260-TR](#) [KMT011MNGJLHS](#) [B3WN6002S](#) [ADTSA648RV](#) [70-201.0](#) [ADTSG648NV](#) [ADTSM62KSVTR](#) [ATA600VTR](#) [ADTSG66RV](#) [ADTS61NV](#)