

| REVISIONS |     |                           |           |     |      |
|-----------|-----|---------------------------|-----------|-----|------|
| P         | LTR | DESCRIPTION               | DATE      | DWN | APVD |
| D         |     | REVISED PER ECO-16-018632 | 06APR2017 | SK  | PO   |

SPECIFICATIONS:

MATERIAL:

HOUSING, THERMOPLASTIC, UL94-V0, BLACK  
 ACTUATOR, THERMOPLASTIC, UL94-V0, COLOR SEE TABLE  
 TERMINAL, COPPER ALLOY, PLATE- SILVER OVER NICKEL  
 COVER, STAINLESS STEEL  
 CONTACT, STAINLESS STEEL, SILVER PLATE

ELECTRICAL:

MAX CONTACT RATING: 50MILLIAMPS@24V DC  
 MIN CONTACT RATING: 10MICROAMPS@1V DC  
 INITIAL CONTACT RESISTANCE, 100 MILLIOHMS MAX, PER EIA-364-23B, EACH POSITION  
 INSULATION RESISTANCE, 100 MEGOHM MIN. PER EIA-364-21C EACH POSITION  
 DIELECTRIC STRENGTH, 500 V AC FOR 1 MINUTE, PER EIA-364-20B, CONDITION 1, EACH POSITION.  
 CONTACT BOUNCE, 10 MILLISECOND MAX, PER EIA 448-1B, METHOD 15

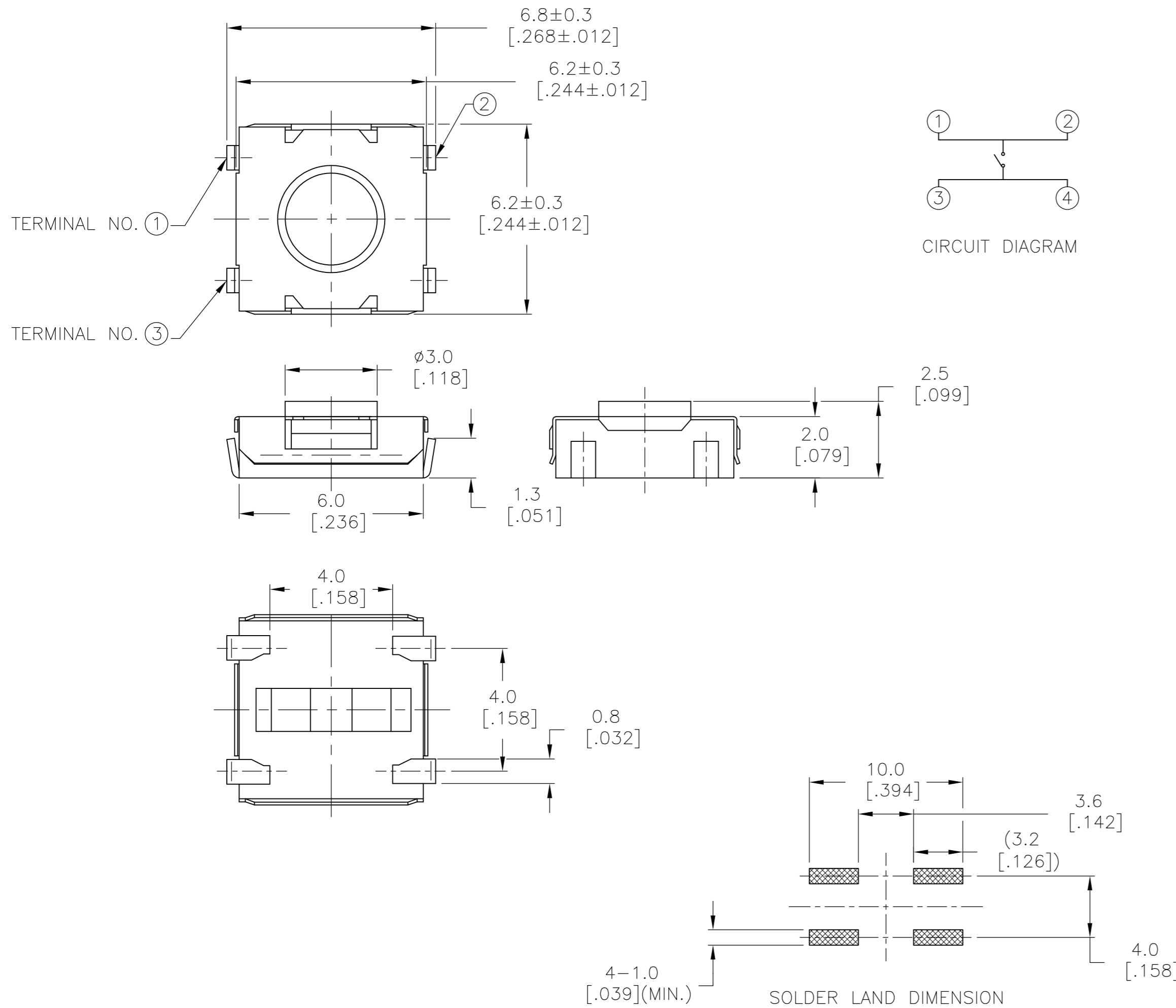
MECHANICAL:

ACTUATION FORCE, SEE TABLE  
 ACTUATION TRAVEL, .2 +/- .1 mm  
 LIFE EXPECTANCY, SEE TABLE, VALUES GIVEN ARE MINIMUM, (2 CYCLES PER SECOND AND 150% ACTUATION FORCE), PER EIA-448 METHODS 8 & 9  
 VIBRATION, PER EIA 364-28D, CONDITION VII, LEVEL E, DURATION 1.5 HOURS  
 MECHANICAL SHOCK, PER EIA-364-27C, CONDITION A

ENVIRONMENTAL

OPERATING TEMPERATURE, -35 TO +85 DEGREES C  
 STORAGE TEMPERATURE, -35 TO +85 DEGREES C  
 HUMIDITY AND TEMPERATURE CYCLING PER EIA-364-31B, METHOD III  
 THERMAL SHOCK, PER EIA-364-32C, -35 TO +85 DEGREES C  
 SOLDERABILITY, PER EIA-364-52, CLASS 2, CATEGORY 1, TEMP, 245 DEGREES C MAX, TIME, 2.5 SECONDS MAX, 95% MINIMUM COVERAGE  
 RESISTANCE TO SOLDER HEAT, PER 109-201 COND B  
 TAPE AND REEL PACKAGING PER EIA 481, TAPE WIDTH 12mm, PITCH 8.0mm, 3000 PER REEL

1. ALL MATERIALS AND FINISHES SHALL COMPLY WITH EU DIRECTIVE 2002/95/EC OF 27JAN2003 (ROHS)



| PACKAGING | CYCLE LIFE | ACT. COLOR | FORCE    | DIM L | PART NO.  |
|-----------|------------|------------|----------|-------|-----------|
| T&R       | 1,00,000   | VIOLET     | 260±50gf | 2.5mm | 1571625-8 |
| BULK      | 1,00,000   | VIOLET     | 260±50gf | 2.5mm | 1571625-7 |
| T&R       | 1,000,000  | RED        | 160±50gf | 2.5mm | 1571625-6 |
| BULK      | 1,000,000  | RED        | 160±50gf | 2.5mm | 1571625-5 |
| T&R       | 1,000,000  | GREEN      | 100±50gf | 2.5mm | 1571625-4 |
| BULK      | 1,000,000  | GREEN      | 100±50gf | 2.5mm | 1571625-3 |
| T&R       | 2,000,000  | IVORY      | 50±30gf  | 2.5mm | 1571625-2 |
| BULK      | 2,000,000  | IVORY      | 50±30gf  | 2.5mm | 1571625-1 |

|   |  |              |          |                  |   |  |     |           |            |               |   |
|---|--|--------------|----------|------------------|---|--|-----|-----------|------------|---------------|---|
| THIS DRAWING IS A CONTROLLED DOCUMENT.  |  | DWN          | M.BINNER | 22SEP03          |   | TE Connectivity                        |     |           |            |               |   |
| DIMENSIONS: mm [INCHES]   |  | CHK          | M.SARVER | 22SEP03          |   | NAME                                   |     |           |            |               |   |
| TOLERANCES UNLESS OTHERWISE SPECIFIED:  |  | APVD         | M.SARVER | 22SEP03          |   | PUSHBUTTON SWITCH, 6X6 mm, SMT, J-LEAD |     |           |            |               |   |
| 0 PLC ± -<br>1 PLC ± 0.2<br>2 PLC ± -<br>3 PLC ± -<br>4 PLC ± -<br>ANGLES ± - |  | PRODUCT SPEC |          | APPLICATION SPEC |   | SIZE                                   |     | CAGE CODE | DRAWING NO | RESTRICTED TO |   |
| MATERIAL SEE NOTES  |  | FINISH       |          | WEIGHT           | 0 | A2                                     | -   | C=1571625 |            | -             |   |
| CUSTOMER DRAWING  |  |              |          |                  |   | SCALE                                  | 8:1 | SHEET     | 1 OF 1     | REV           | D |

## X-ON Electronics

Largest Supplier of Electrical and Electronic Components

*Click to view similar products for [Tactile Switches](#) category:*

*Click to view products by [TE Connectivity](#) manufacturer:*

Other Similar products are found below :

[5GTH92001](#) [1-1977120-4](#) [ADTSA62RV](#) [ADTSA63KV](#) [ADTSA644NV](#) [ADTSMW66NV](#) [ADTSMW67RV](#) [B3F-3123](#) [B3F-6055A](#) [B3F-B32-01-KIT](#) [1977177-8](#) [1977266-1](#) [ADTS644KV](#) [ADTSA61RV](#) [ADTSA62KV](#) [ADTSA63NV](#) [ADTSA63RV](#) [ADTSM21NSVTR](#) [ADTSM32NVTR](#) [ADTSM63SVTR](#) [ADTSM644KVTR](#) [ADTSMW64RV](#) [ADTSMW69NV](#) [FSMRA4JHA04](#) [GS4.70F300QP](#) [3ESH9R](#) [506E00201](#) [MJTP1164TR](#) [3FTL600RAS](#) [3FTL640RAS](#) [Y96K132V0FPLFS](#) [101-TS5022T1601-EV](#) [5GSH92001](#) [KSJ0A231](#) [80SH](#) [LFG](#) [EVQ-P1D05K](#) [MJTP1162TR](#) [ADTSM63KV](#) [TSJW-5.2-260-TR](#) [KMT011MNGJLHS](#) [B3WN6002S](#) [ADTSA648RV](#) [70-201.0](#) [ADTSG648NV](#) [ADTSM62KSVTR](#) [ATA600VTR](#) [ADTSG66RV](#) [ADTS61NV](#) [ADTSM62KVTR](#) [ADTSM25KSVB](#) [ADTS65RV](#)