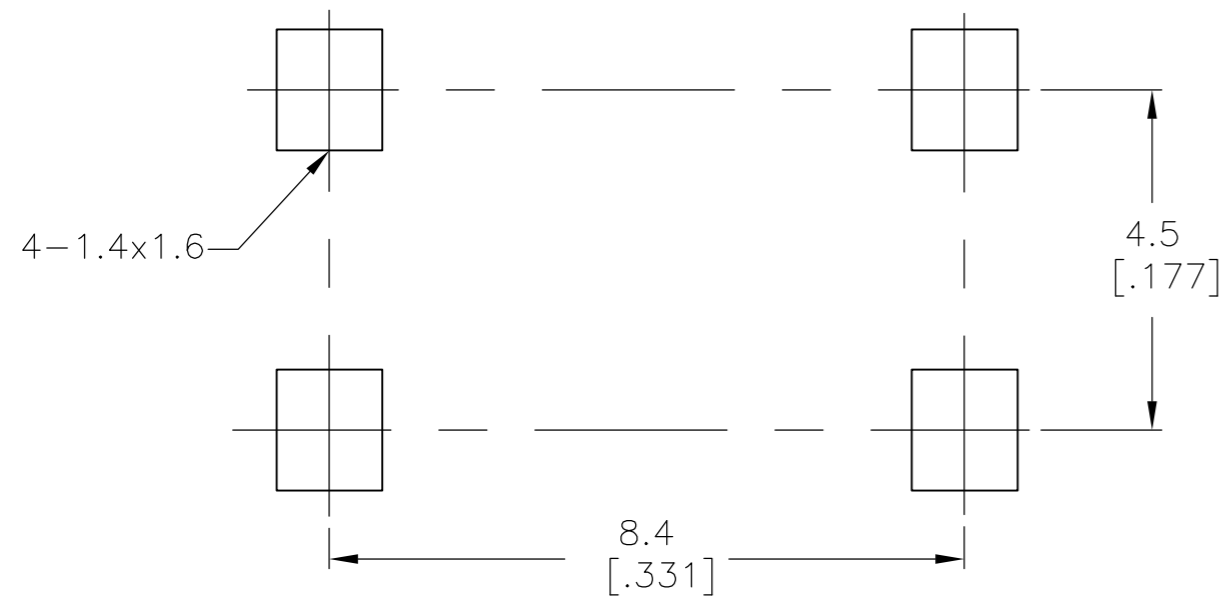
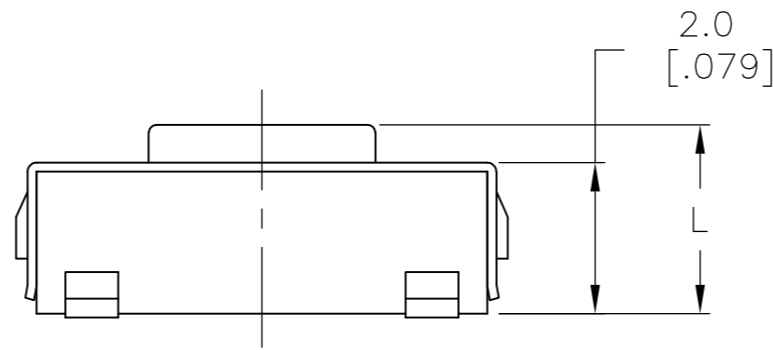
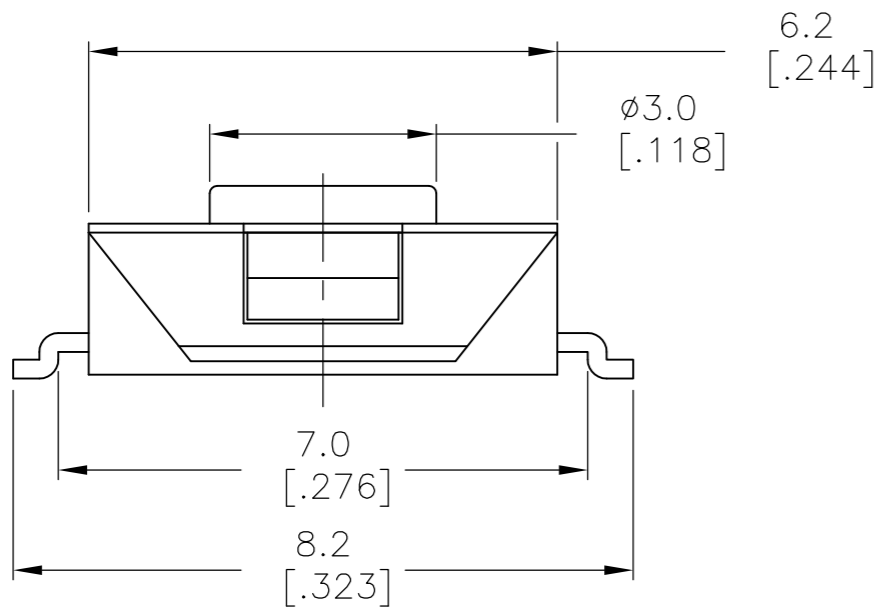
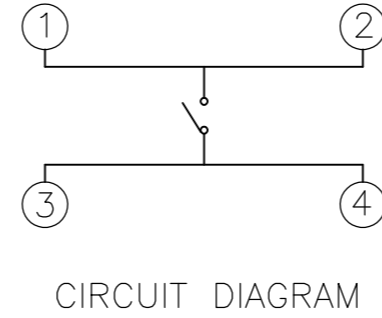
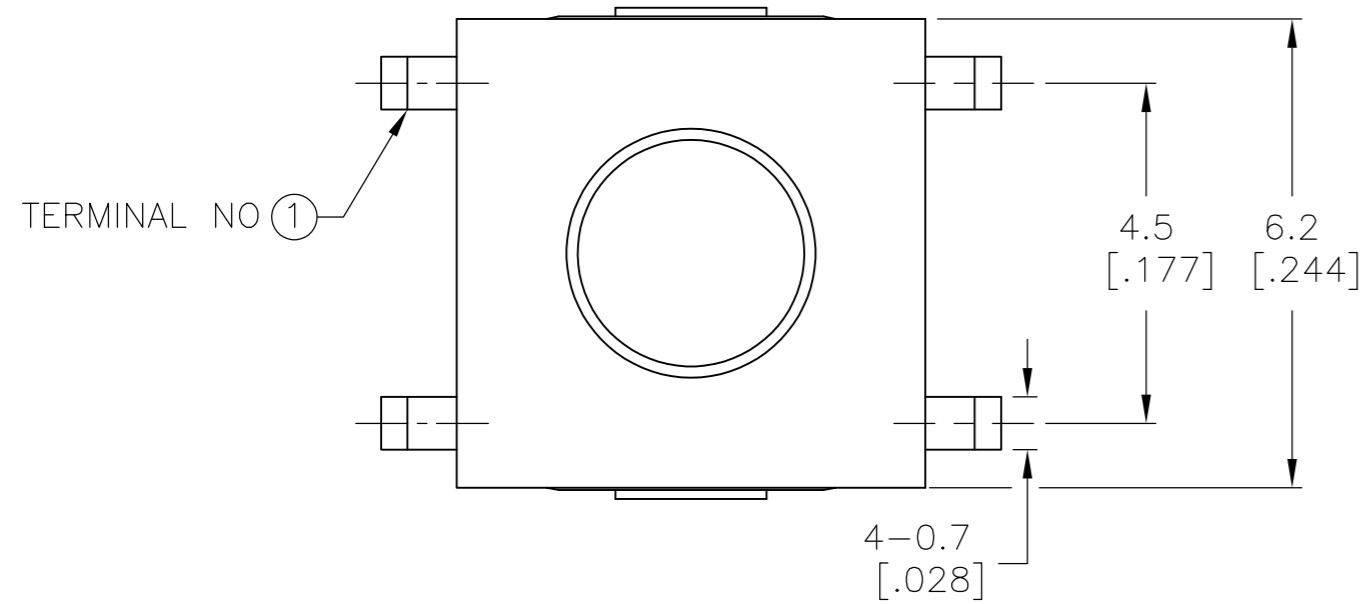


THIS DRAWING IS UNPUBLISHED. RELEASED FOR PUBLICATION 1571626, 1571626  
 © COPYRIGHT 1571626y - ALL RIGHTS RESERVED.

| REVISIONS |     |                           |           |     |      |
|-----------|-----|---------------------------|-----------|-----|------|
| P         | LTR | DESCRIPTION               | DATE      | DWN | APVD |
| C5        |     | REVISED PER ECO-16-018632 | 05APR2017 | SK  | PO   |



P.C.B MOUNTING SOLDER LAND DIMENSION

SPECIFICATIONS:  
 MATERIAL:  
 HOUSING, THERMOPLASTIC, UL94-V0, BLACK  
 ACTUATOR, THERMOPLASTIC, UL94-V0, COLOR SEE TABLE  
 TERMINAL, COPPER ALLOY, PLATE- SILVER OVER NICKEL  
 COVER, COPPER ALLOY, TIN PLATE  
 CONTACT, STAINLESS STEEL, SILVER PLATE

ELECTRICAL:  
 MAX CONTACT RATING: 50MILLIAMPS@24V DC  
 MIN CONTACT RATING: 10MICROAMPS@1V DC  
 INITIAL CONTACT RESISTANCE, 100 MILLIOHMS MAX, PER EIA-364-23B, EACH POSITION  
 INSULATION RESISTANCE, 100 MEGOHM MIN. PER EIA-364-21C EACH POSITION  
 DIELECTRIC STRENGTH, 500 V AC FOR 1 MINUTE, PER EIA-364-20B, CONDITION 1, EACH POSITION.  
 CONTACT BOUNCE, 10 MILLISECOND MAX, PER EIA 448-1B, METHOD 15

MECHANICAL:  
 ACTUATION FORCE, SEE TABLE  
 ACTUATION TRAVEL, .25+/- .1 mm  
 LIFE EXPECTANCY, SEE TABLE, VALUES GIVEN ARE MINIMUM, (2 CYCLES PER SECOND AND 150% ACTUATION FORCE), PER EIA-448 METHODS 8 & 9  
 VIBRATION, PER EIA 364-28D, CONDITION VII, LEVEL E, DURATION 1.5 HOURS  
 MECHANICAL SHOCK, PER EIA-364-27C, CONDITION A

ENVIRONMENTAL  
 OPERATING TEMPERATURE, -35 TO +85 DEGREES C, PER EIA-448, METHOD 10 (2 CYCLES PER SECOND)  
 STORAGE TEMPERATURE, -35 TO +85 DEGREES C  
 HUMIDITY AND TEMPERATURE CYCLING PER EIA-364-31B, METHOD III  
 THERMAL SHOCK, PER EIA-364-32C, -35 TO +85 DEGREES C  
 SOLDERABILITY, PER EIA-364-52, CLASS 2, CATEGORY 1, TEMP, 245 DEGREES C MAX, TIME, 2.5 SECONDS MAX, 95% MINIMUM COVERAGE  
 RESISTANCE TO SOLDER HEAT, PER 109-201 COND B.  
 1. NO CHANGE IN INITIAL ELECTRICAL AND MECHANICAL CHARACTERISTICS

- NOTES:  
 1. TAPE AND REEL PACKAGING PER EIA 481, TAPE WIDTH 12mm, PITCH 8.0mm, 3000 PER REEL  
 2. ALL MATERIALS AND FINISHES SHALL COMPLY WITH EU DIRECTIVE 2002/95/EC OF 27JAN2003 (ROHS)

|          | COLOR   | PACKAGING | CYCLE LIFE | FORCE    | DIM L | PART NO.    |
|----------|---------|-----------|------------|----------|-------|-------------|
|          | VIOLET  | T&R       | 1,00,000   | 260±50gf | 2.5mm | 1-1571626-0 |
| OBSOLETE | -VIOLET | BULK      | 1,00,000   | 260±50gf | 2.5mm | 1571626-9   |
|          | RED     | T&R       | 1,000,000  | 160±50gf | 2.0mm | 1571626-8   |
| OBSOLETE | -RED    | BULK      | 1,000,000  | 160±50gf | 2.0mm | 1571626-7   |
|          | RED     | T&R       | 1,000,000  | 160±50gf | 2.5mm | 1571626-6   |
| OBSOLETE | -RED    | BULK      | 1,000,000  | 160±50gf | 2.5mm | 1571626-5   |
|          | GREEN   | T&R       | 1,000,000  | 100±50gf | 2.5mm | 1571626-4   |
|          | GREEN   | BULK      | 1,000,000  | 100±50gf | 2.5mm | 1571626-3   |
|          | IVORY   | T&R       | 1,000,000  | 50±30gf  | 2.5mm | 1571626-2   |
| OBSOLETE | -IVORY  | BULK      | 1,000,000  | 50±30gf  | 2.5mm | 1571626-1   |

|  |       |                             |                  |                       |               |       |     |       |     |       |     |        |     |              |   |  |  |
|--|-------|-----------------------------|------------------|-----------------------|---------------|-------|-----|-------|-----|-------|-----|--------|-----|--------------|---|--|--|
| THIS DRAWING IS A CONTROLLED DOCUMENT.   |       | DWN<br>M.BINNER<br>22SEP03  |                  |                       |               |       |     |       |     |       |     |        |     |              |   |  |  |
| DIMENSIONS:<br>mm [INCHES]   |       | CHK<br>M.SARVER<br>22SEP03  |                  |                       |               |       |     |       |     |       |     |        |     |              |   |  |  |
| TOLERANCES UNLESS OTHERWISE SPECIFIED:   |       | APVD<br>M.SARVER<br>22SEP03 | NAME             |                       |               |       |     |       |     |       |     |        |     |              |   |  |  |
| <table border="1"> <tr><td>0 PLC</td><td>± -</td></tr> <tr><td>1 PLC</td><td>± 0.3</td></tr> <tr><td>2 PLC</td><td>± -</td></tr> <tr><td>3 PLC</td><td>± -</td></tr> <tr><td>4 PLC</td><td>± -</td></tr> <tr><td>ANGLES</td><td>± -</td></tr> </table> |       | 0 PLC                       | ± -              | 1 PLC                 | ± 0.3         | 2 PLC | ± - | 3 PLC | ± - | 4 PLC | ± - | ANGLES | ± - | PRODUCT SPEC | PUSHBUTTON SWITCH, 6X6 mm, SMT, GULL WING |  |  |
| 0 PLC  | ± -   |                             |                  |                       |               |       |     |       |     |       |     |        |     |              |   |  |  |
| 1 PLC  | ± 0.3 |                             |                  |                       |               |       |     |       |     |       |     |        |     |              |   |  |  |
| 2 PLC  | ± -   |                             |                  |                       |               |       |     |       |     |       |     |        |     |              |   |  |  |
| 3 PLC  | ± -   |                             |                  |                       |               |       |     |       |     |       |     |        |     |              |   |  |  |
| 4 PLC  | ± -   |                             |                  |                       |               |       |     |       |     |       |     |        |     |              |   |  |  |
| ANGLES   | ± -   |                             |                  |                       |               |       |     |       |     |       |     |        |     |              |   |  |  |
| MATERIAL   |       | FINISH                      | WEIGHT           | 0                     | RESTRICTED TO |       |     |       |     |       |     |        |     |              |   |  |  |
| SEE NOTES  |       |                             | CUSTOMER DRAWING | SCALE 10:1            | SHEET 1 OF 1  |       |     |       |     |       |     |        |     |              |   |  |  |
|  |       |                             |                  | DRAWING NO. C=1571626 | REV C5        |       |     |       |     |       |     |        |     |              |   |  |  |

## X-ON Electronics

Largest Supplier of Electrical and Electronic Components

*Click to view similar products for [Tactile Switches](#) category:*

*Click to view products by [TE Connectivity](#) manufacturer:*

Other Similar products are found below :

[5GTH92001](#) [1-1977120-4](#) [ADTSA62RV](#) [ADTSA63KV](#) [ADTSA644NV](#) [ADTSMW66NV](#) [ADTSMW67RV](#) [B3F-3123](#) [B3F-6055A](#) [B3F-B32-01-KIT](#) [1977177-8](#) [1977266-1](#) [ADTS644KV](#) [ADTSA61RV](#) [ADTSA62KV](#) [ADTSA63NV](#) [ADTSA63RV](#) [ADTSM21NSVTR](#) [ADTSM32NVTR](#) [ADTSM63SVTR](#) [ADTSM644KVTR](#) [ADTSMW64RV](#) [ADTSMW69NV](#) [FSMRA4JHA04](#) [GS4.70F300QP](#) [3ESH9R](#) [506E00201](#) [MJTP1164TR](#) [3FTL600RAS](#) [3FTL640RAS](#) [Y96K132V0FPLFS](#) [101-TS5022T1601-EV](#) [5GSH92001](#) [KSJ0A231](#) [80SH LFG](#) [EVQ-P1D05K](#) [MJTP1162TR](#) [ADTSM63KV](#) [TSJW-5.2-260-TR](#) [KMT011MNGJLHS](#) [B3WN6002S](#) [ADTSA648RV](#) [70-201.0](#) [ADTSG648NV](#) [ADTSM62KSVTR](#) [ATA600VTR](#) [ADTSG66RV](#) [ADTS61NV](#) [ADTSM62KVTR](#) [ADTSM25KSVB](#) [ADTS65RV](#)