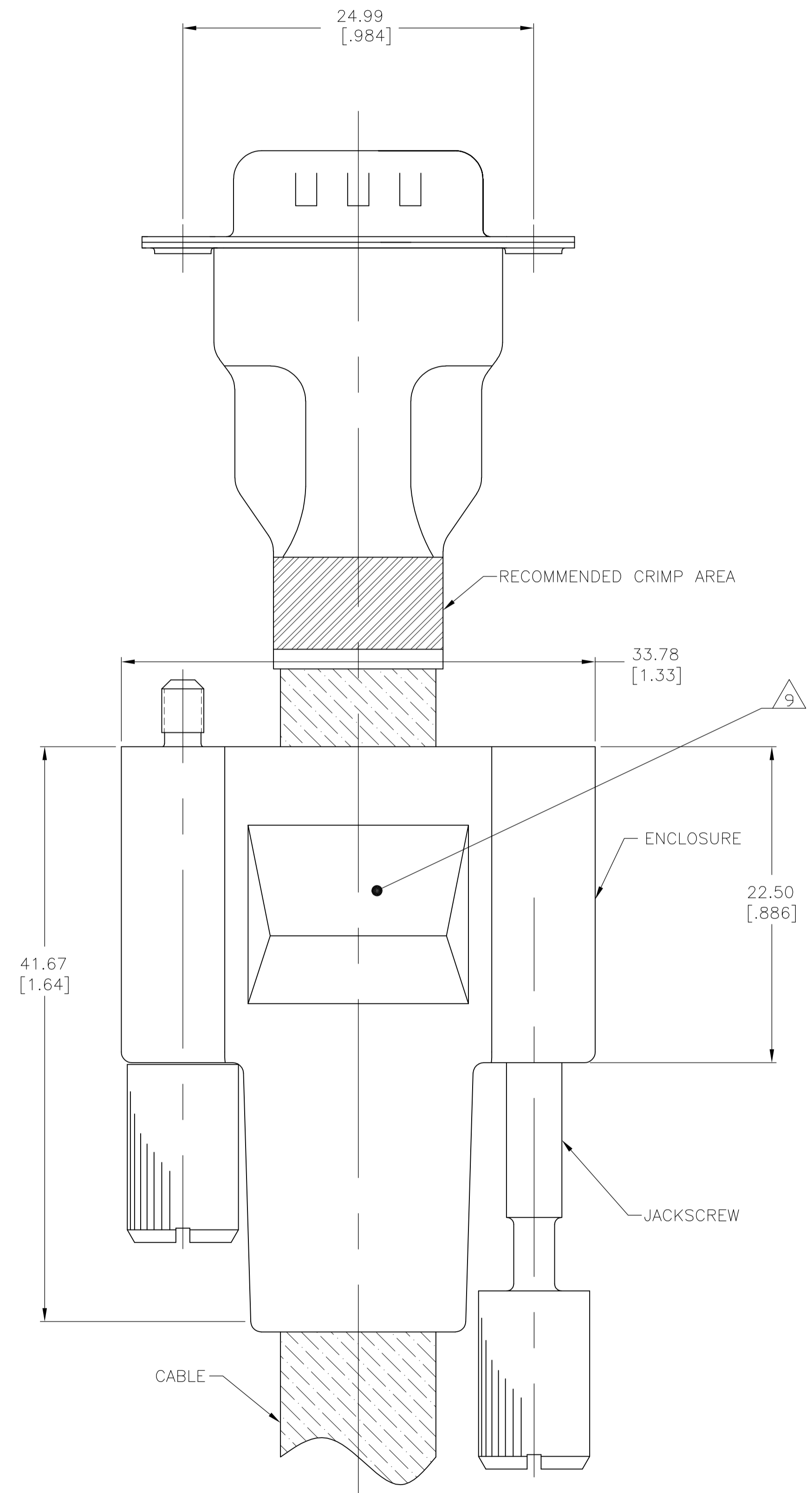


LOC		DIST		REVISIONS			
F	LTR	DESCRIPTION	DATE	DWN	APVD		
F		REVISED PER ECO-12-003967	13APR2012	CJV	CWR		



EXPLODED VIEW OF ASSEMBLED KIT

- 1 MATERIAL
INSERT: PBT, BLACK, UL94V-0 RATED
CONTACT & JACKSCREWS: BRASS
SHELLS & SHIELD: STEEL
ENCLOSURE: PVC, BLACK
- 2 FINISH
CONTACT: GOLD PLATING 0.02 μ m[.000008] MIN ON CONTACT AREA/2.3 μ m[.000090] MIN TIN-LEAD PLATING ON SOLDER AREA. ALL OVER 1.27 μ m[.000050] MIN NICKEL.
SHELL: 2.4 μ m[.000095] MIN TIN
SHIELD: 2.0-3.0 μ m[.000080-.000120] TIN
- 3. SPECIFICATION
ELECTRICAL CHARACTERISTICS:
CURRENT RATING: 3 AMPERES
DIELECTRIC WITHSTANDING VOLTAGE: AC 1000V R.M.S.
INSULATION RESISTANCE: 5000 MEGOHMS MINIMUM AT DC 500V
CONTACT RESISTANCE: 10 MILLIOHMS MAXIMUM.
- 4. PLUG CONNECTOR FULLY LOADED WITH CONTACTS.
ALL OTHER PARTS ARE SHIPPED UNASSEMBLED, EACH PART INDIVIDUALLY BULK PACKED.
- 5. SOLDER CUP WILL ACCOMMODATE 20 MAX AWG WIRE.
- 6 FINISH
CONTACT: GOLD PLATING 0.02 μ m[.000008] MIN ON CONTACT AREA/2.3 μ m[.000090] MIN HOT DIPPED TIN-COPPER PLATING ON SOLDER AREA. ALL OVER 1.27 μ m[.000050] MIN NICKEL.
SHELL: 2.4 μ m[.000095] MIN BRIGHT TIN.
SHIELD: 2.0-3.0 μ m[.000080-.000120] TIN.
- 8 ROHS 2002/95/EC COMPLIANT PART (SEE SHEET 2).
- 9 COMPANY LOGO IN APPROXIMATE AREA SHOWN.
- 10. ASSEMBLE PER 408-10443

8	6	10.8 [.425]	1571650-6
8	6	9.5 [.374]	1571650-5
8	6	7.2 [.283]	1571650-4
SUPERSEDED BY 1571650-6	2	10.8 [.425]	1571650-3
SUPERSEDED BY 1571650-5	2	9.5 [.374]	1571650-2
SUPERSEDED BY 1571650-4	2	7.2 [.283]	1571650-1
	FINISH	CABLE DIA L	PART NUMBER

THIS DRAWING IS A CONTROLLED DOCUMENT. DIMENSIONING AND TOLERANCING PER ASME Y14.5M-2009.

THIS DRAWING IS UNPUBLISHED. RELEASED FOR PUBLICATION. ALL RIGHTS RESERVED.

DIMENSIONS: mm [INCHES]

TOLERANCES UNLESS OTHERWISE SPECIFIED:

0. PLC	±	-
1. PLC	±	0.3[.012]
2. PLC	±	-
3. PLC	±	-
4. PLC	±	-
ANGLES	±	+

MATERIAL: 1 FINISH: 2, 6

APVD: M. BINNER 21NOV03

NAME: BULK KIT, PLUG, AMPLIMITE SOLDER CUP SHIELDING ENCLOSURE 9 POSITION, SIZE 1

PRODUCT SPEC: 108-40031

APPLICATION SPEC: 108-40031

SIZE: A1

WEIGHT: 1571650

CUSTOMER DRAWING

SCALE: 4:1 SHEET: 1 OF 1 REV: F

STE TE Connectivity

X-ON Electronics

Largest Supplier of Electrical and Electronic Components

Click to view similar products for [D-Sub Standard Connectors](#) category:

Click to view products by [TE Connectivity](#) manufacturer:

Other Similar products are found below :

[DCM37S732N](#) [DAM15P500](#) [DEV09S364GTLF](#) [DEM09P032N](#) [DDM50P732N](#) [DAM15S332N](#) [173109-2218](#) [173109-2466](#) [173109-2469](#)
[173109-2435](#) [56F706-005-LI](#) [56F711-015](#) [015-0341-000](#) [017041-0005](#) [012-9507-114](#) [012-9534-001](#) [609-25P](#) [M24308/2-23Z](#) [M243082310F](#)
[M24308/2-36Z](#) [M243082411F](#) [M24308315F](#) [M24308/4-21](#) [M243084437F](#) [CT0M22-23SS](#) [CT1N36-5SC](#) [CT2-16S-17PS](#) [CT2-20-15PCAU](#)
[CT2-24-12PS](#) [CT2-24-28PSF127A206](#) [CT6F9767-14-4-14S-5PC](#) [CT7-18-10SC](#) [CT7-18-10SCAU](#) [CT7-18-12SCAU](#) [CT7-18-1PC](#) [CT7-18-](#)
[1PCAU](#) [CT7-18-1SC](#) [CT7-18-21SCAU](#) [CT9-16-12PS](#) [M83513/01-FC](#) [M83723/76W24619 L/C](#) [M85049/48-3-2F](#) [69001-865](#)
[6STD09PCM99B70X](#) [6STD09SCM99B30X](#) [6STD09SCT99S40X](#) [6STD15PCT99S40X](#) [6STD15SCM99B30X](#) [6STD15SCT99S40X](#)
[6STF09PCM05B70X](#)