

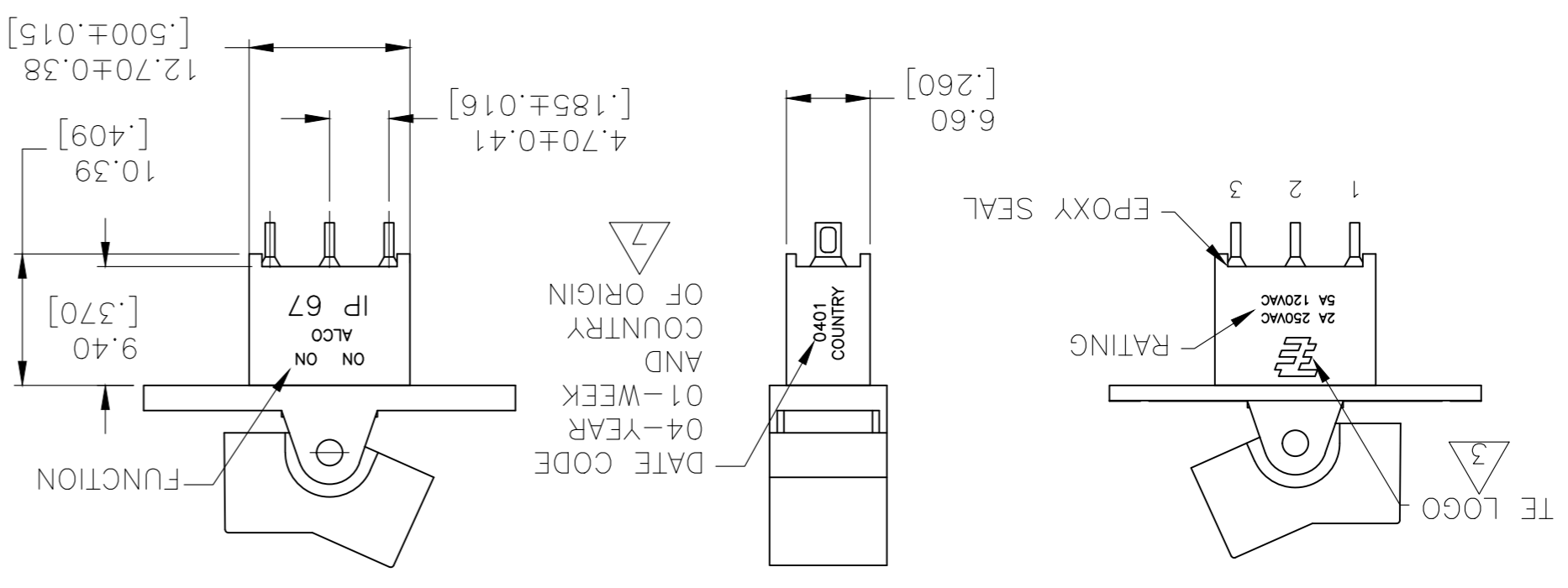
SPECIFICATIONS

RATING, B CONTACTS	.4VA MAX @20V MAX. AC OR DC
RATING, G CONTACTS-SEE NOTE 2	.4VA MAX @20V MAX. AC OR DC OR 5A @120 VAC OR 28 VDC (RESISTIVE) 2A @250 VAC (RESISTIVE)
RATING, Q CONTACTS	5A @120 VAC OR 28 VDC (RESISTIVE) 2A @250 VAC (RESISTIVE) 6,000 CYCLES AT RATED LOAD
CONTACT RESISTANCE	10 MILLIOHMS MAX INITIAL @ 2-4VDC, 100MA
INSULATION RESISTANCE	1,000 MEGOHMS MIN
DIELECTRIC WITHSTANDING VOLTAGE	1,000 V RMS AT SEA LEVEL
OPERATING TEMPRATURE	-30C TO 85C

FUNCTION CHART

FUNCTION	ON	ON	ON
01	ON	NONE	ON
03	ON	OFF	ON
05	(ON)	OFF	(ON)
07	ON	OFF	(ON)
08	ON	NONE	(ON)
TERMINALS CONNECTED	2-3	---	1-2

(ON): NO MECHANICAL POSITION WITH NO ELECTRICAL CONNECTION
OFF: MECHANICAL POSITION WITH NO ELECTRICAL CONNECTION
(ON): MOMENTARY ACTION



PART NUMBER SEQUENCE

AE1									
MODEL	FUNCTION	TOGGLE	TERMINAL	CONTACT	ACTUATOR	COLOR	ROHS		
01	J1	A	AV2	G	0	BLACK (STD)			
03	J50	AV2	C	Q	2	RED			
05	J2	C			3	ORANGE			
07	J60	V3			4	YELLOW			
08		V4			5	GREEN			
		W			6	BLUE			
		W4			8	GRAY			
		Z3			9	WHITE			

THIS DRAWING IS A CONTROLLED DOCUMENT.		M.BINNER		06JAN05		CHK		M.ZITTO		06JAN05	
DIMENSIONS: mm [INCHES]		TOLERANCES UNLESS OTHERWISE SPECIFIED:		M.ZITTO		APVD		M.ZITTO		06JAN05	
MATERIAL		FINISH		NAME		PRODUCT SPEC		APPLICATION SPEC		WEIGHT	
0 PLC ±		1 PLC ±		GEMINI AE SERIES ROCKER SWITCH		SINGLE POLE		SIZE		A2	
1 PLC ±		2 PLC ±		DRAWING NO		00779		CAGE CODE		1571988	
2 PLC ±		3 PLC ±		RESTRICTED TO		SCALE		SHEET		1 of 5	
3 PLC ±		4 PLC ±		REV		2:1		REV		A8	

- 1 ALL MATERIALS AND FINISHES SHALL COMPLY WITH EU DIRECTIVE 2002/95/EC OF 27JAN2003 (ROHS).
- 2 G CONTACT OPTION CAN BE USED FOR SIGNAL OR POWER LEVEL SWITCHING. IF SWITCH IS USED AT LEVELS EXCEEDING .4VA @ 20V AC/DC, SWITCH IS RENDERED FOR POWER SWITCHING ONLY DUE TO ARC REMOVAL OF GOLD PLATING. RATING MARKED ON THE SWITCH IS 2A 250VAC, 5A 120VAC.
- 3 TE LOGO PER TEC-202-36.
- 5 SWITCHES MEET REQUIREMENTS OF IP67
- 6 PANEL MOUNT ACTUATOR PIVOT SUPPLIED WITH C, W, W4, Z & Z3 TERMINATIONS. PC MOUNT ACTUATOR PIVOT SUPPLIED WITH A, AV2, V3 & V4 TERMINATIONS.
- 7 DATE CODE AND COUNTRY OF ORIGIN MAY APPEAR ON EITHER SIDE OF SWITCH.
- 8 ALL LOGO, RATING, DATE CODE, AND FUNCTION MARKINGS TO BE LASER MARKED.

REVISIONS	DATE	DESCRIPTION	P	LTR	REVISED PER ECO-17-001761	10MAY2017	RK	AS

A

B

C

D

A

B

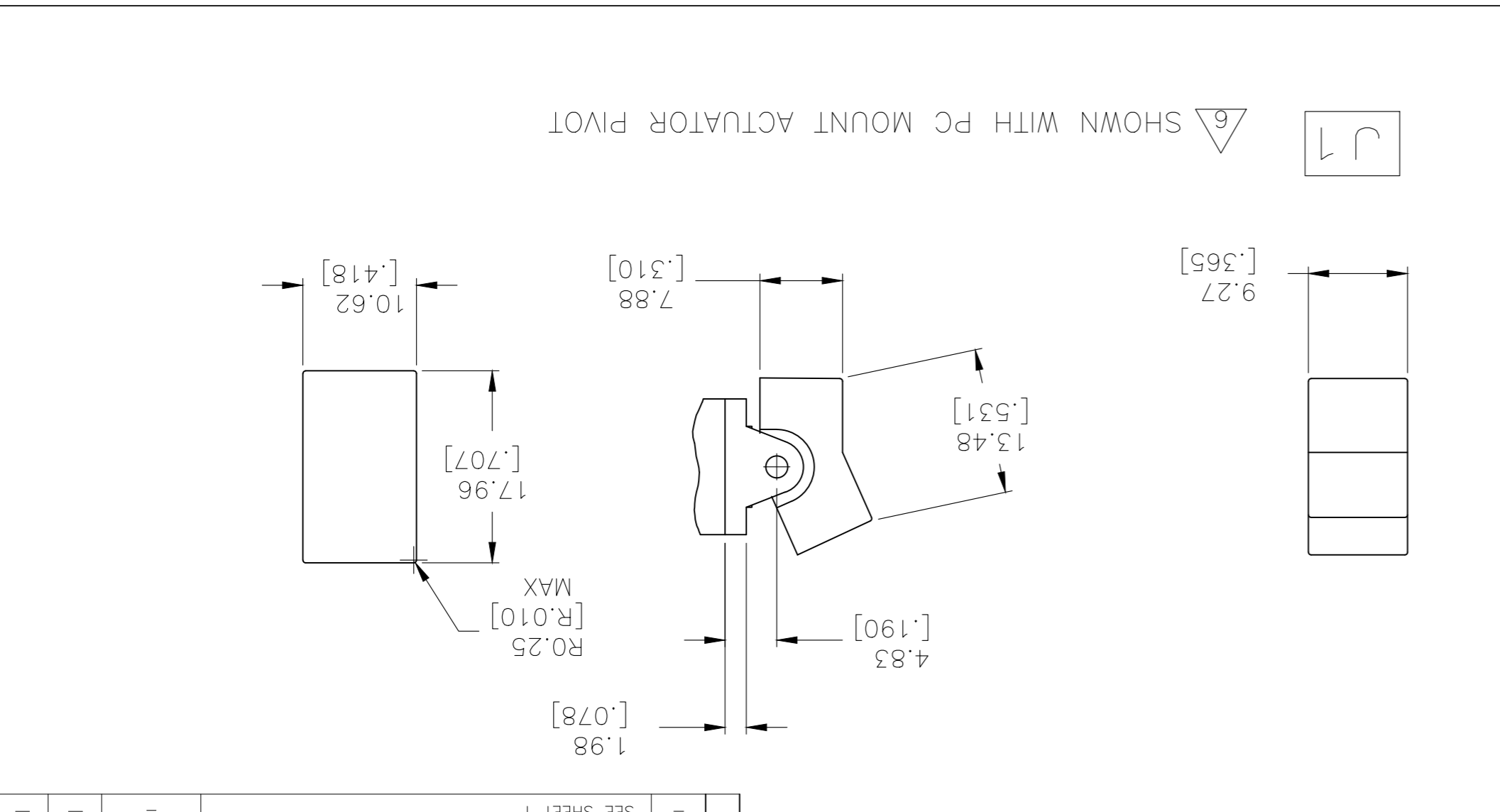
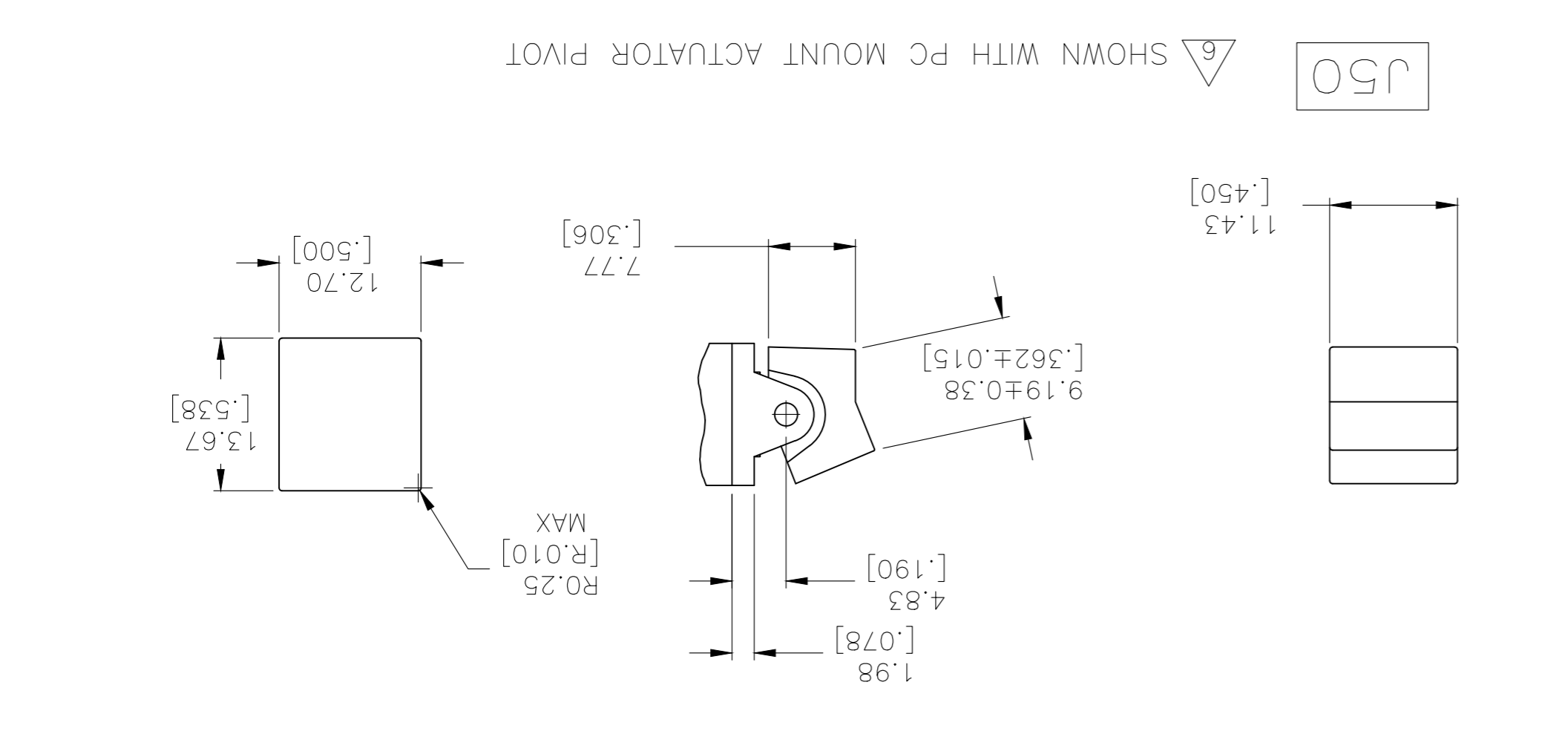
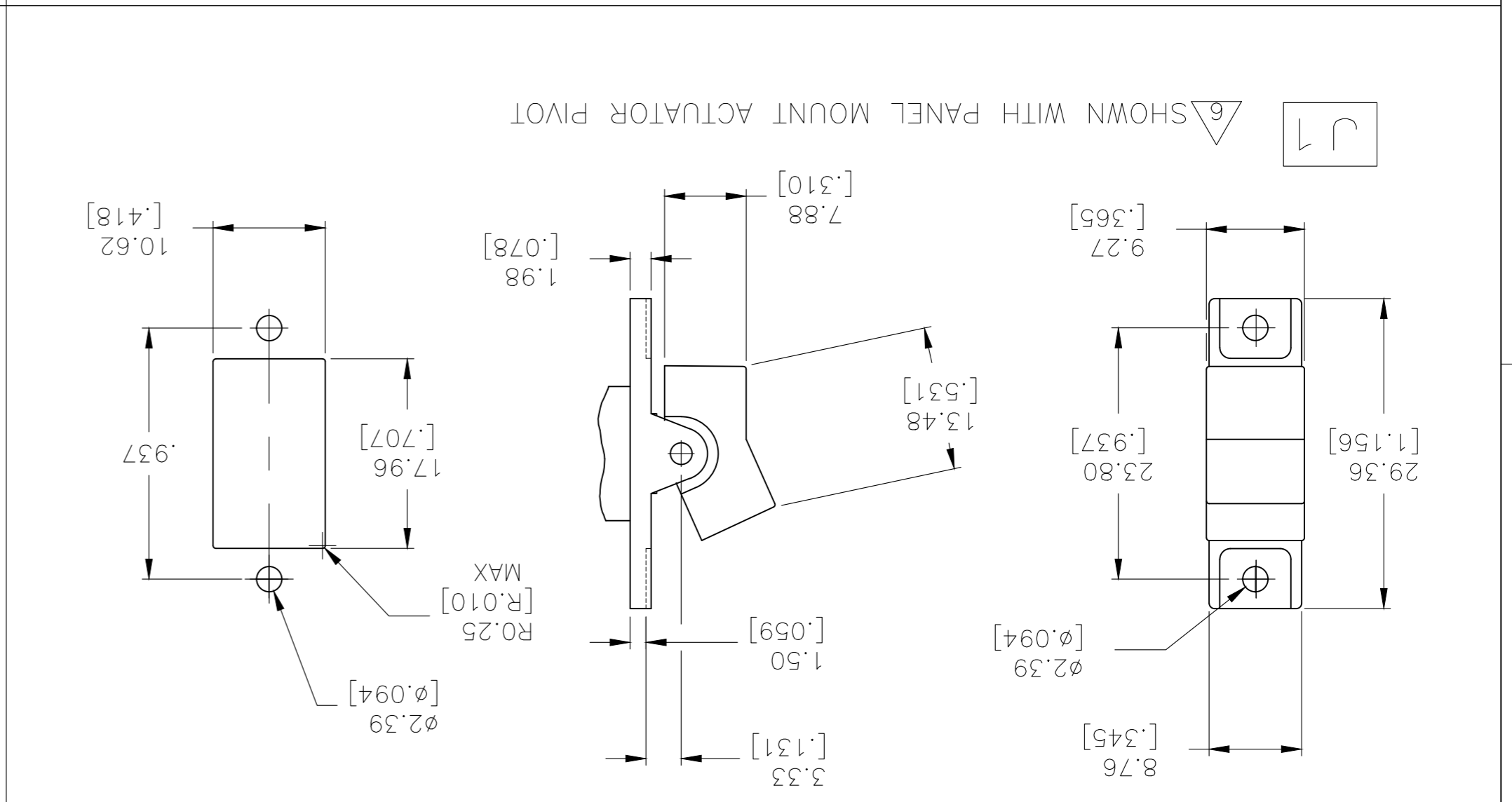
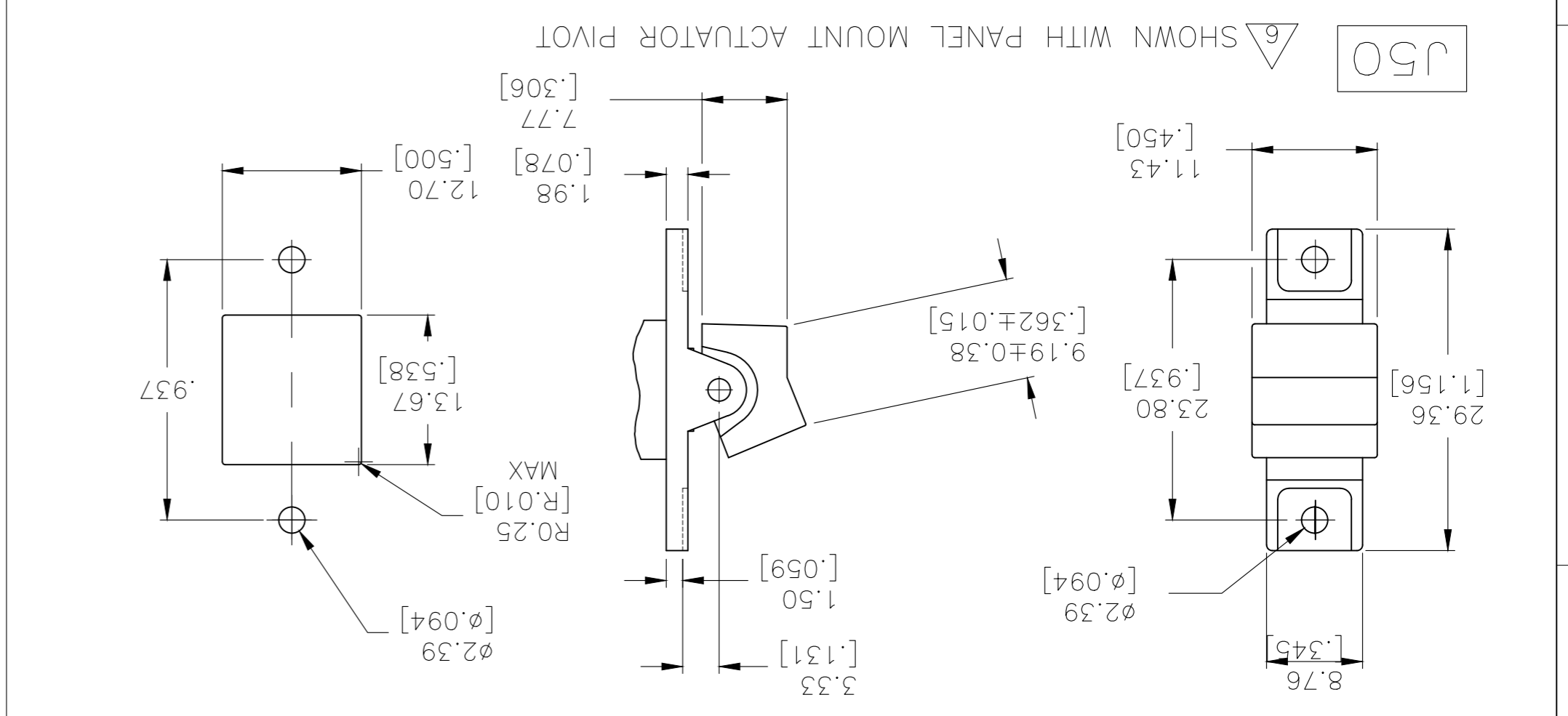
C

D

1571988

MATERIAL: -		FINISH: -		WEIGHT: -		CUSTOMER DRAWING	
DIMENSIONS: mm [INCHES]		TOLERANCES UNLESS OTHERWISE SPECIFIED:		APPLIC. SPEC: -		SCALE: 2:1	
0 PLC ±		1 PLC ±		PRODUCT SPEC: -		SHEET 2 of 5	
1 PLC ±		2 PLC ±		M.I.T.T.O. M.I.T.T.O.		REV A8	
2 PLC ±		3 PLC ±		M.I.T.T.O. M.I.T.T.O.		REVISIONS	
3 PLC ±		4 PLC ±		M.I.T.T.O. M.I.T.T.O.		DATE	
4 PLC ±		ANGLES: ± .4°		M.I.T.T.O. M.I.T.T.O.		DWN	
-		-		M.I.T.T.O. M.I.T.T.O.		APVD	
-		-		M.I.T.T.O. M.I.T.T.O.		DESCRIPTION	
-		-		M.I.T.T.O. M.I.T.T.O.		SEE SHEET 1	
-		-		M.I.T.T.O. M.I.T.T.O.		P	
-		-		M.I.T.T.O. M.I.T.T.O.		LTR	
-		-		M.I.T.T.O. M.I.T.T.O.		DATE	
-		-		M.I.T.T.O. M.I.T.T.O.		DWN	
-		-		M.I.T.T.O. M.I.T.T.O.		APVD	

1.52-3.17 [.060-.125]	15.75-15.87 [.620-.625]
1.19-1.50 [.047-.059]	15.72 [.619]
PANEL THICKNESS	
DIM "A"	

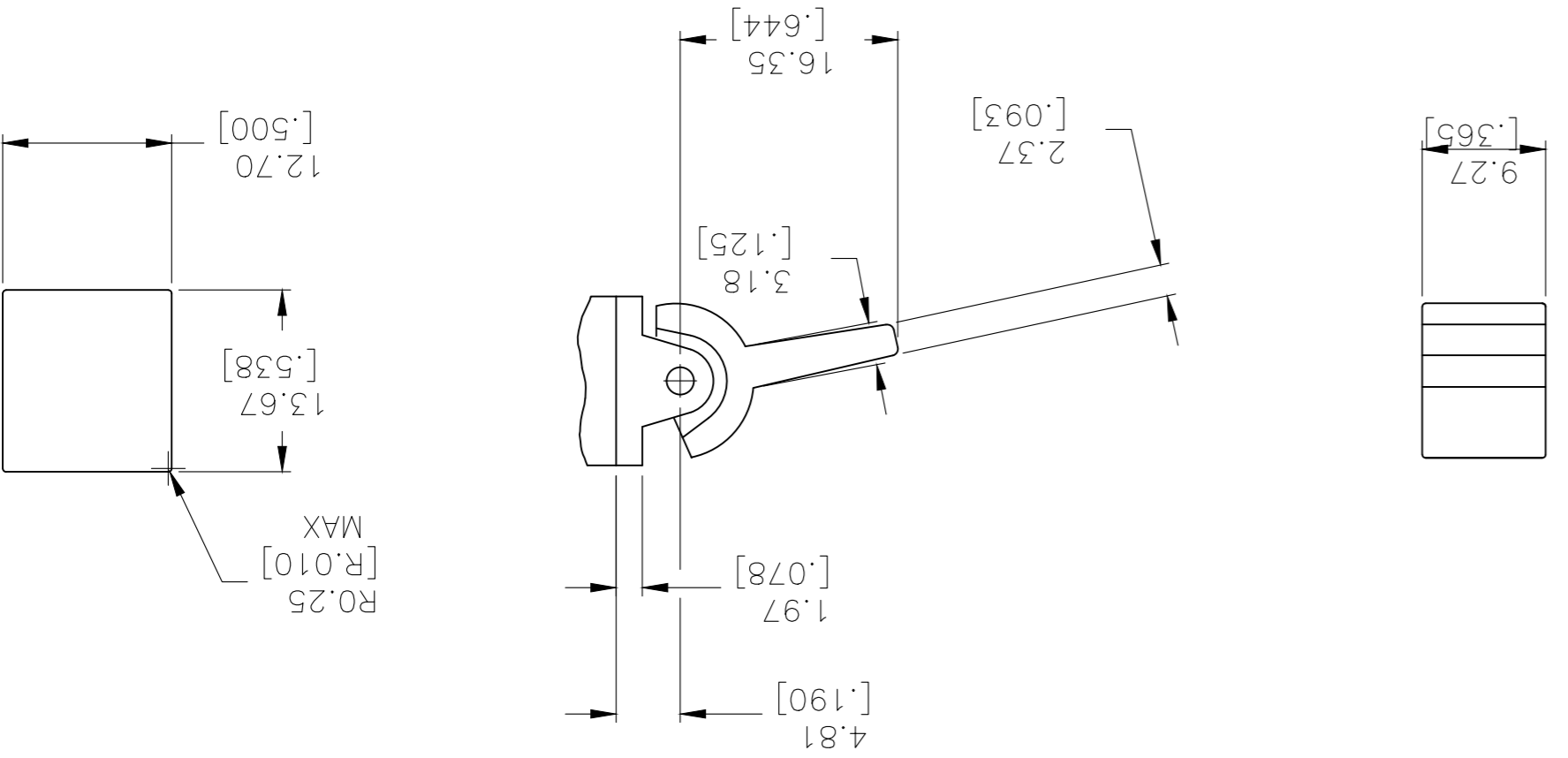


REVISIONS	DATE	DWN	APVD
1			

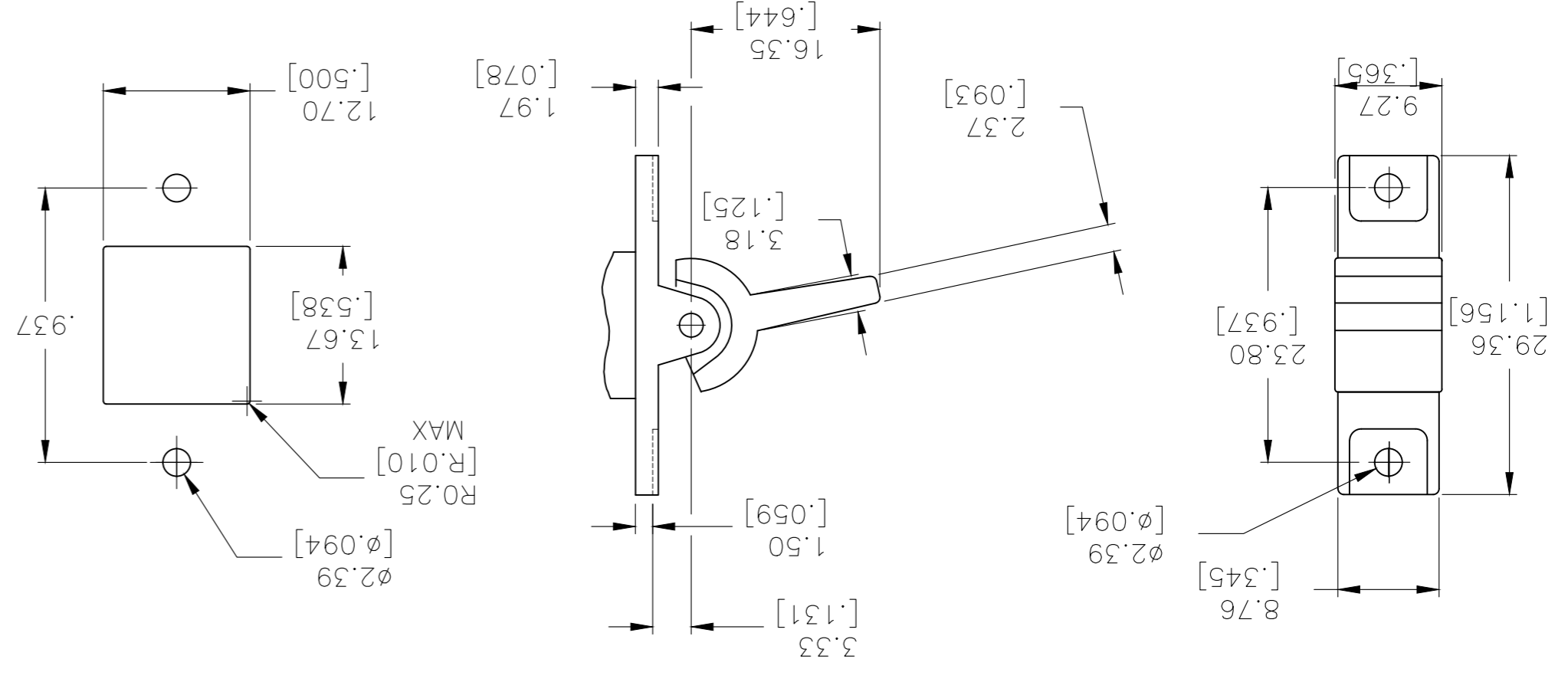
MATERIAL: -		FINISH: -		WEIGHT: -		CUSTOMER DRAWING	
DIMENSIONS: mm [INCHES]		TOLERANCES UNLESS OTHERWISE SPECIFIED:		APPROVALS: M. ZITTO		SCALE: 2:1	
0 PLC ±		1 PLC ±		PRODUCT SPEC: -		SHEET 3 of 5	
1 PLC ±		2 PLC ±		APPLICATION SPEC: -		REV A8	
2 PLC ±		3 PLC ±		NAME: M. ZITTO		DRAWING NO: 1571988	
3 PLC ±		4 PLC ±		APVD: -		SIZE: A2	
4 PLC ±		ANGLES: ± .4°		DWM: M. BINNER		CAGE CODE: 00779	
-		-		GEMINI AE SERIES ROCKER SWITCH		RESTRICTED TO: -	
-		-		SINGLE POLE		-	
-		-		TE Connectivity		-	

1.52-3.17 [.060-.125]	15.75-15.87 [.620-.625]
1.19-1.50 [.047-.059]	15.72 [.619]
PANEL THICKNESS	
DIM "A"	

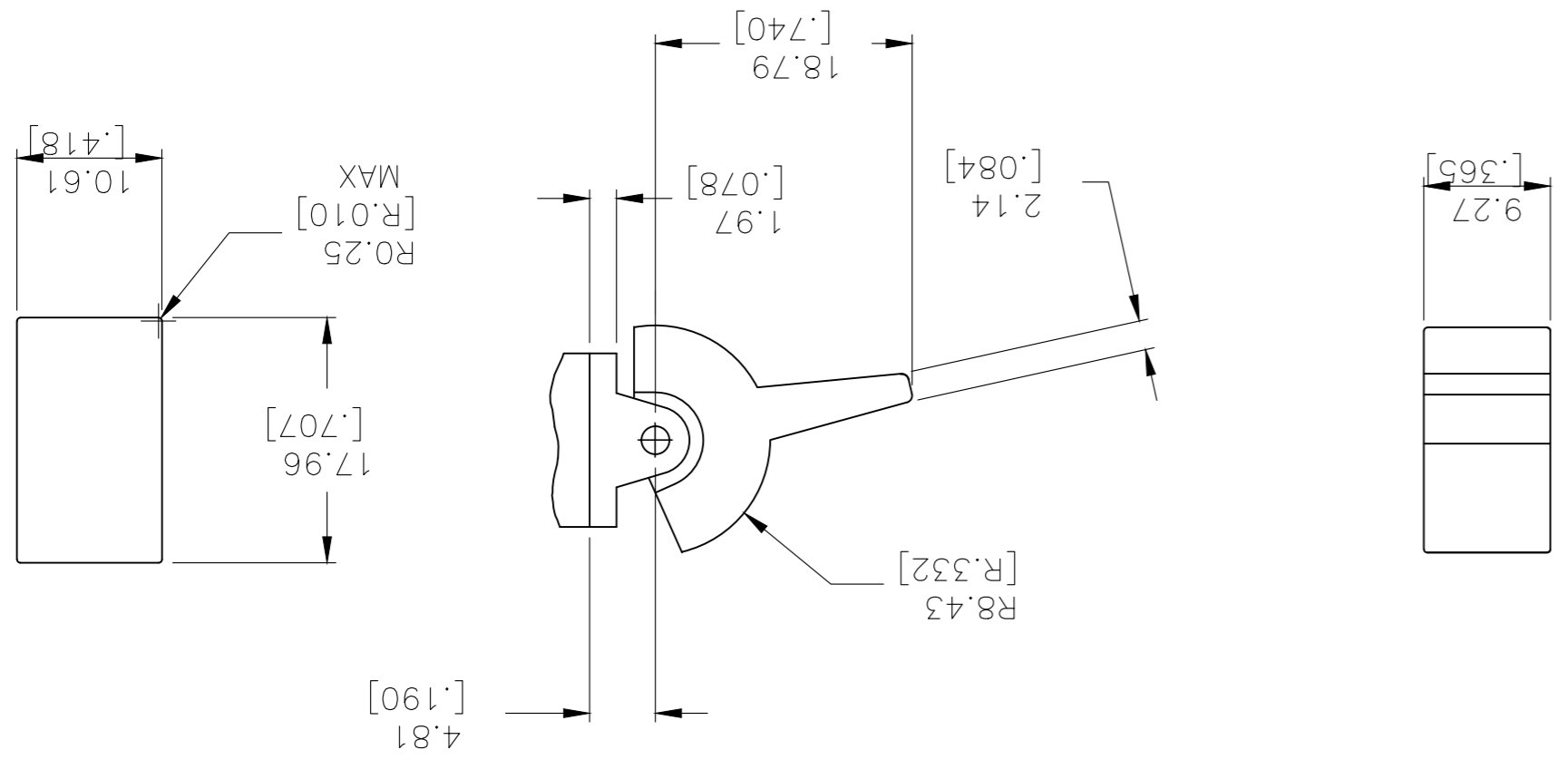
J60 SHOWN WITH PC MOUNT ACTUATOR PIVOT



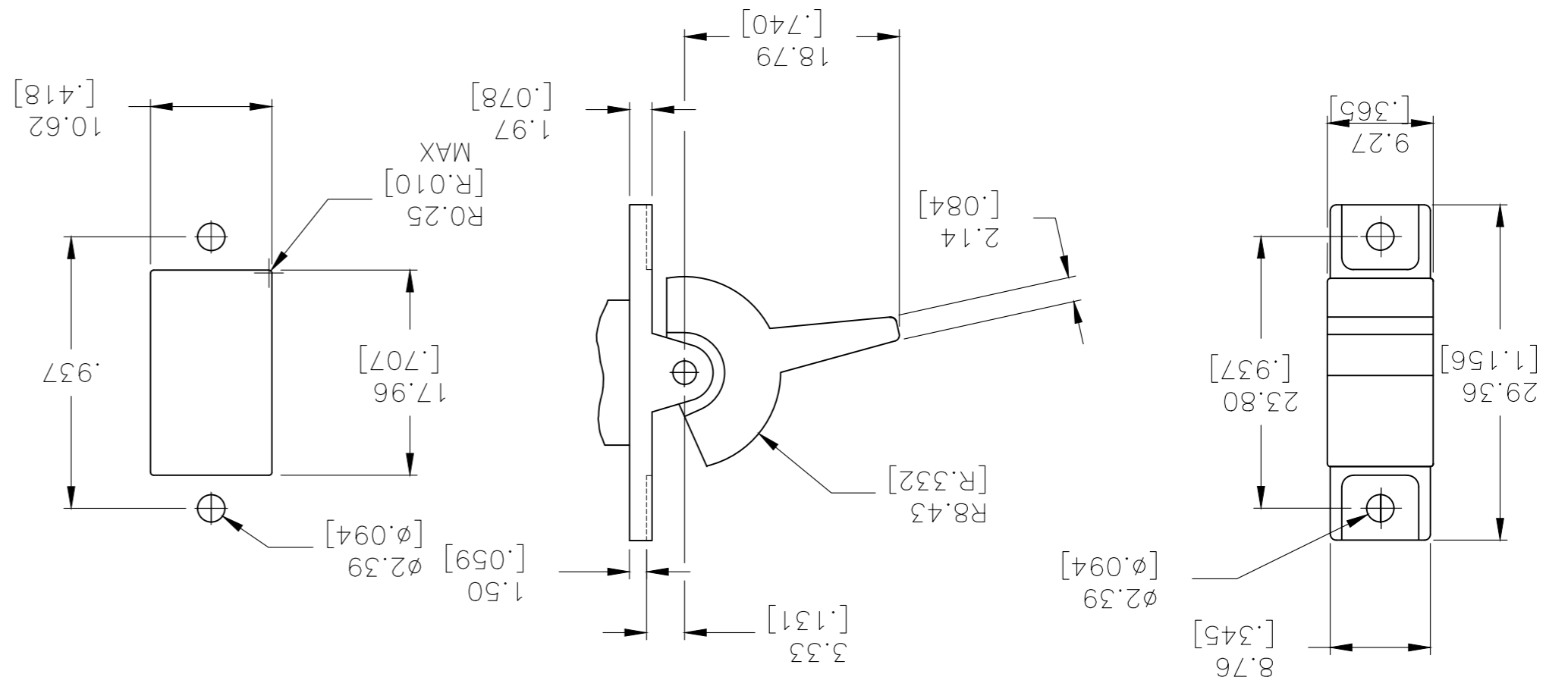
J60 SHOWN WITH PANEL MOUNT ACTUATOR PIVOT



J2 SHOWN WITH PC MOUNT ACTUATOR PIVOT



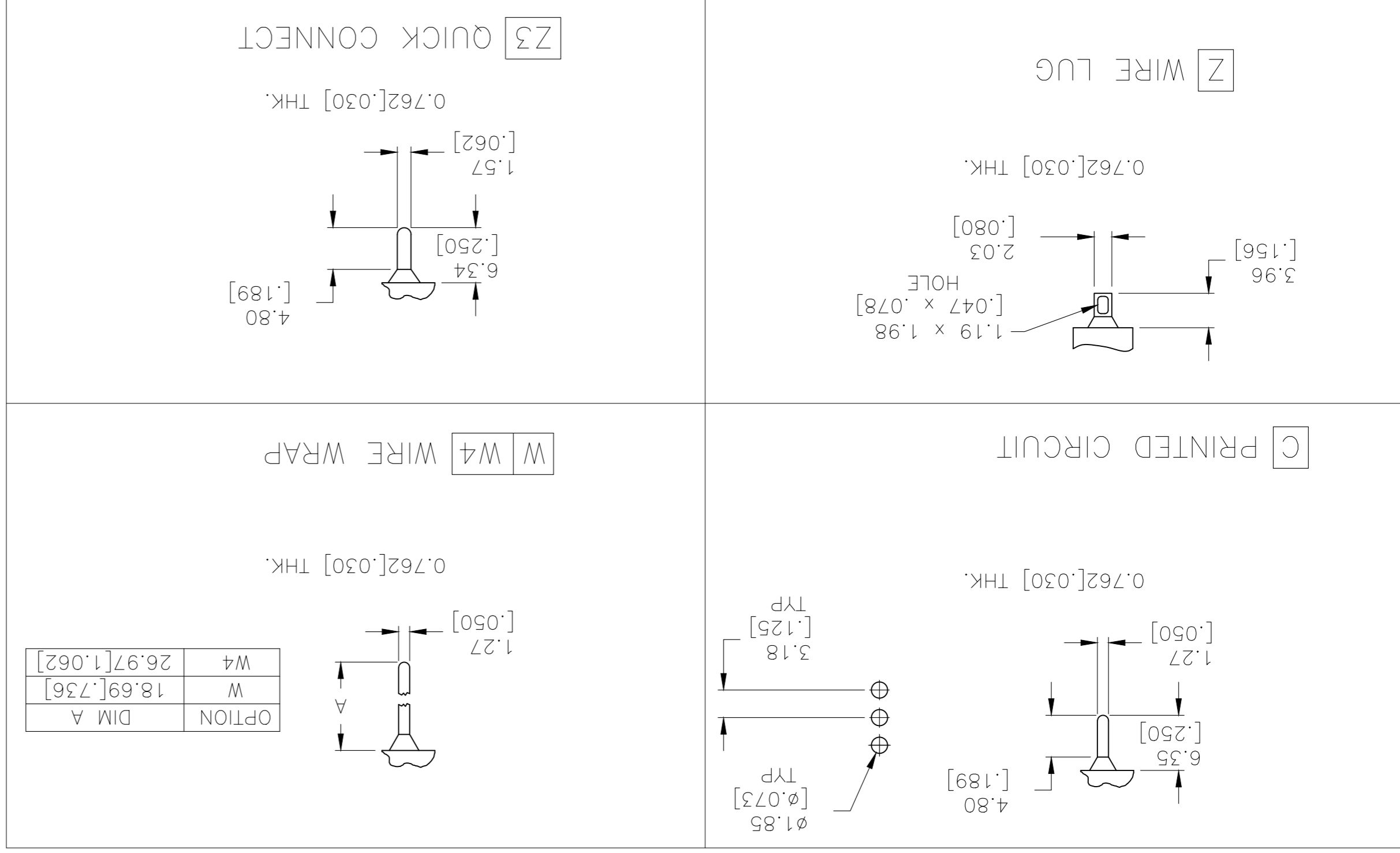
J2 SHOWN WITH PANEL MOUNT ACTUATOR PIVOT



REVISIONS	DATE	DESCRIPTION
-	-	SEE SHEET 1
P	LTR	
DWM	APVD	

MATERIALS CHART

COMPONENT NAME	BASE MATERIAL	FINISH
CASE & BUSHING	NYLON, RED, UL94 V-0	
O-RING	PVC, BLACK	
B TERMINALS & CONTACTS	COPPER	GOLD NICKEL
G TERMINALS & CONTACTS	COPPER	GOLD OVER SILVER
Q TERMINALS & CONTACTS	COPPER	SILVER
ACTUATOR	PHENOLIC, BLACK, UL94 V-1	
ACTUATOR LEVER	ZINC ALLOY	NICKEL
SPRING	MUSIC WIRE	
PIVOT PIN	STEEL	NICKEL
MOUNTING BRACKET	NYLON, UL94 V-1	
ROCKER CAP	NYLON, UL94 V-1	
TERMINAL SEAL	EPOXY, UL94V-0	
MARKING	INK, BLACK	
SUPPORT BRACKET	BRASS	TIN
RETAINER	STAINLESS STEEL	



THIS DRAWING IS A CONTROLLED DOCUMENT.

DMN	M. BINNER	06JAN05
CHK	M. ZITTO	06JAN05
NAME	GEMINI AE SERIES ROCKER SWITCH	
PRODUCT SPEC	SINGLE POLE	
APPLICATION SPEC	-	
WEIGHT	-	
FINISH	-	
TOLERANCES UNLESS OTHERWISE SPECIFIED:	-	
0 PLC	±	-
1 PLC	±	-
2 PLC	±	-
3 PLC	±	.010
4 PLC	±	.04

SIZE	A2
CAGE CODE	00779
DRAWING NO	1571988
RESTRICTED TO	-

CUSTOMER DRAWING

SCALE 2:1

SHEET 5 of 5

REV A8

ALCO P/N	TE P/N
AE101J1AB004	1571988-1
AE101J1AQ004	1571988-2
AE101J1AQ404	1571988-3
AE101J1AV2Q004	1571988-4
AE101J1V3B004	1571988-5
AE101J1V3Q004	1571988-6
AE103J50V3B004	1571988-7
AE103J60V3Q204	1571988-8
AE105J1AQ004	1571988-9
AE105J1V3B004	1-1571988-0
AE105J1ZB004	1-1571988-1
AE105J60V3B004	1-1571988-2
AE107J1AQ004	1-1571988-3
AE107J1ZQ004	1-1571988-4
AE108J1ZQ004	1-1571988-5
AE108J60V3B004	1-1571988-6
AE101J3V31Q004	1-1571988-7
AE101J1CB004	1-1571988-8

OBSOLETE

PRELIMINARY

REV	DATE	DESCRIPTION	BY	CHKD
1		SEE SHEET 1		

REVISIONS

X-ON Electronics

Largest Supplier of Electrical and Electronic Components

Click to view similar products for [Rocker Switches](#) category:

Click to view products by [TE Connectivity](#) manufacturer:

Other Similar products are found below :

[VKD2GHNB-00000-000](#) [VSD2GNNB-00000-000](#) [6-1571986-5](#) [6-1571986-9](#) [7036WWCDBX653+U622](#) [8055K52Z7V](#) [8138K20E6M50](#)
[FMC18A2200002](#) [84206L](#) [84312LX](#) [PREDD4-07F-BB0FW](#) [PREDD5-07F-BB0GW](#) [PRFDD1-16F-BB000](#) [PRFDD3-16F-BB000](#) [1-](#)
[1634201-0](#) [999-16702-001](#) [A101J2ZQ004](#) [A101J4ZQ004](#) [A101J51CB0004](#) [A107J51ZQ0004](#) [A201J1AQ004](#) [A201J1AV2Q004](#)
[A201J3ZB004](#) [A201J50ZQ004](#) [A203J51ZQ0004](#) [A226L11YZQ](#) [A22L11A](#) [A435S1YZQ](#) [H8500XBBBBL-A](#) [H8653VBBG2577W](#)
[HB130CHNWWNAAC](#) [1251.0303](#) [AE205J60V3B004](#) [RH110C2NBB](#) [1352.0107](#) [1363.0201](#) [AML25GBF2AA03GR](#) [1571099-3](#) [1571987-4](#)
[1571987-5](#) [1571989-7](#) [B123J77V7B2](#) [B226J50W4Q22P](#) [B433J37ZQ22M](#) [160212E](#) [1801.1164](#) [1831.1102](#) [1833.3402](#) [1837.1118](#) [1838.8302](#)