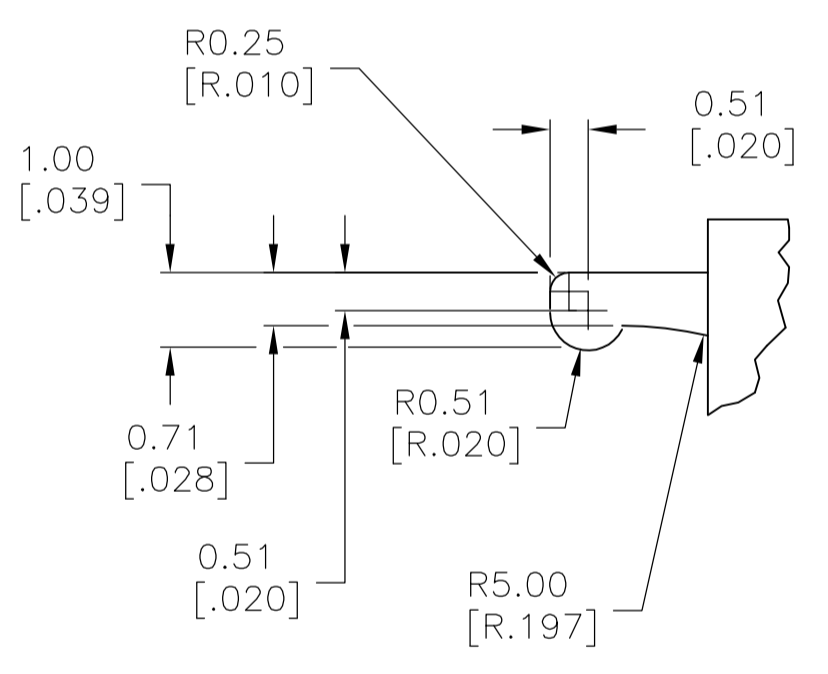
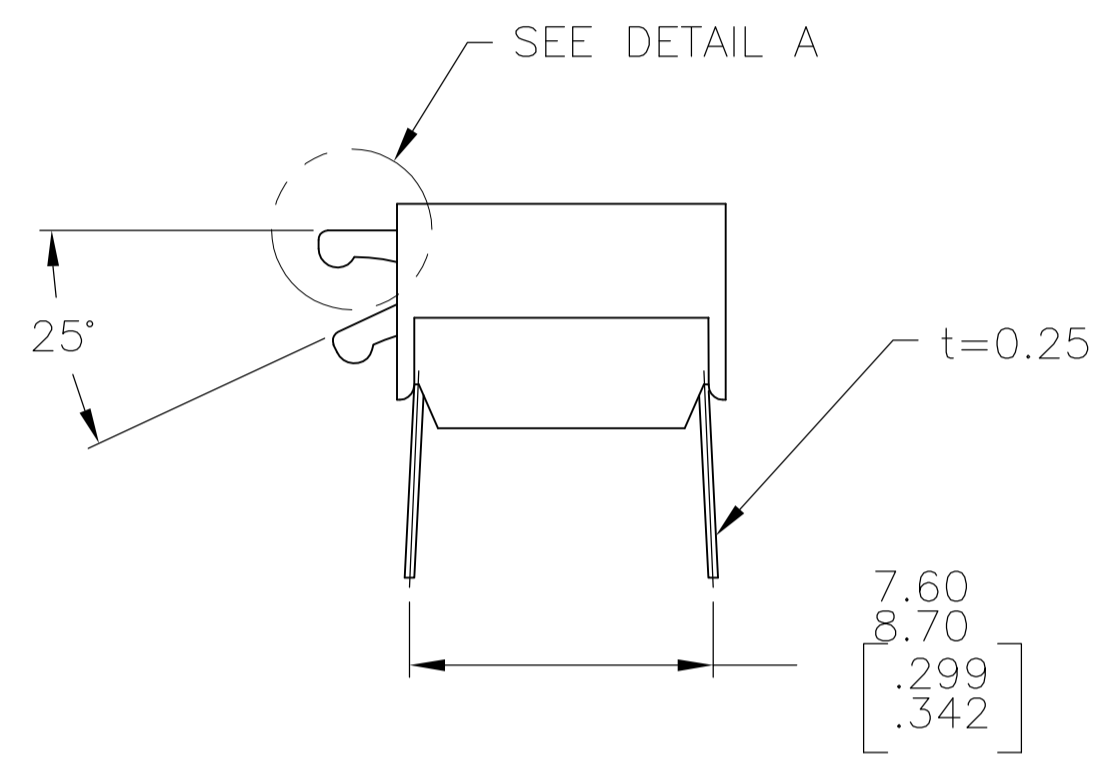
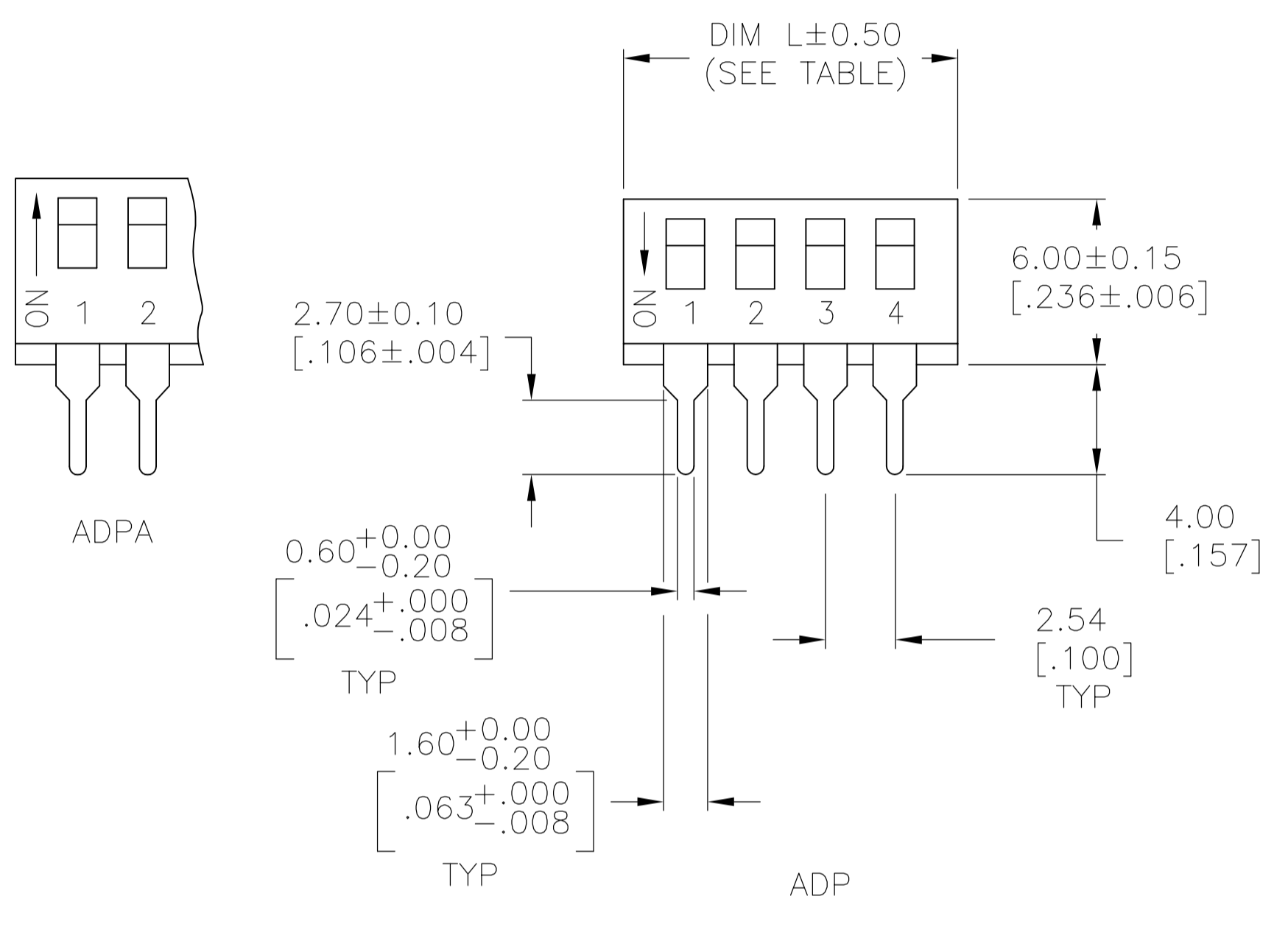


REVISIONS				
P	LTR	DESCRIPTION	DATE	BY
D6		REVISED PER ECR-17-009987	22JUL2017	SK AS



RECOMMENDED HOLE LAYOUT



DETAIL A SCALE: 10:1

SPECIFICATIONS:

**MATERIAL:**  
CASE: PPS 94V-0, BLACK  
COVER: PPS 94V-0, BLACK  
ACTUATOR: NYLON PA6T 94V-0, WHITE  
MOVING CONTACT: COPPER ALLOY, GOLD OVER NICKEL PLATE.  
FIXED CONTACT/TERMINAL: COPPER ALLOY, GOLD OVER NICKEL PLATE.

**ELECTRICAL:**  
CONTACT RATING: MAX RATING (SWITCHING) 100 MILLIAMPS @ 24V DC, MIN (SWITCHING) 0.10 MICROAMPS @1 MILLIVOLT, MAX (NON-SWITCHING) 1 AMP @ 5V DC INITIAL  
CONTACT RESISTANCE: 50 MILLIOHMS MAX.  
INSULATION RESISTANCE: 100 MEGOHMS MIN. @ 100 VDC.  
DIELECTRIC STRENGTH: 500 VAC. LIFE EXPECTANCY: 1000 CYCLES MIN.

**MECHANICAL:**  
ACTUATION FORCE: 800g MAX.

**ENVIRONMENTAL:**  
OPERATING TEMPERATURE: -22°F TO +185°F (-30°C TO +85°C).  
STORAGE TEMPERATURE: -49°F TO +212°F (-45°C TO +100°C).  
SOLDER HEAT RESISTANCE TO 265±3°C FOR 8±2 SECONDS.  
SOLDERABILITY PER JIS C 0050 & JIS C 0053

- CONTACT PRESSURE: 280,000 PSI.
  - CLEANING: AQUEOUS SOLUTION OR SOLVENT.
  - PACKAGING OPTIONS- CLEAR TUBES OR TAPE AND REEL PER EIA-481 SWITCH SUPPLIED IN THE "OFF" POSITION UNLESS "ON" IS SPECIFIED IN THE ALCO PART NUMBER (SEE PART NUMBER TABLE FOR ALL OPTIONS)
  - TOP & FRONT SURFACES TO BE CLEARLY MARKED AS SHOWN.
  - SWITCHES TO BE BLACK WITH WHITE ACTUATORS AND MARKINGS.
  - ALL MATERIAL AND FINISHES SHALL COMPLY WITH EU DIRECTIVE 2002/95/EC OF 27JAN2003 (ROHS)
- △ OBSOLETE PARTS: OBSOLETE CIS STREAMLINING PER D.RENAUD/D.SINISI

SEE SHEET 2 FOR SURFACE MOUNT OPTIONS AND DIMENSIONS.

STATUS	DESCRIPTION	QTY	LEAD	DATE	REV	P/N
OBSOLETE	TAPE & REEL	2	7.06 [.278]			ADPA02STRO4
OBSOLETE	TUBE	10	27.38 [1.078]			ADPA10SA04
OBSOLETE	TUBE	10	27.38 [1.078]			ADPA10S04
OBSOLETE	TUBE	10	27.38 [1.078]			ADPA1004
OBSOLETE	TUBE	9	24.84 [.978]			ADPA09SA04
OBSOLETE	TUBE	9	24.84 [.978]			ADPA09S04
OBSOLETE	TUBE	9	24.84 [.978]			ADPA0904
OBSOLETE	TUBE	8	22.30 [.878]			ADPA08SA04
OBSOLETE	TUBE	8	22.30 [.878]			ADPA08S04
OBSOLETE	TUBE	8	22.30 [.878]			ADPA0804
OBSOLETE	TUBE	7	19.76 [.778]			ADPA07SA04
OBSOLETE	TUBE	7	19.76 [.778]			ADPA07S04
OBSOLETE	TUBE	7	19.76 [.778]			ADPA0704
OBSOLETE	TUBE	6	17.22 [.678]			ADPA06SA04
OBSOLETE	TUBE	6	17.22 [.678]			ADPA06S04
OBSOLETE	TUBE	6	17.22 [.678]			ADPA0604
OBSOLETE	TUBE	5	14.68 [.578]			ADPA05SA04
OBSOLETE	TUBE	5	14.68 [.578]			ADPA05S04
OBSOLETE	TUBE	5	14.68 [.578]			ADPA0504
OBSOLETE	TUBE	4	12.14 [.478]			ADPA04SA04
OBSOLETE	TUBE	4	12.14 [.478]			ADPA04S04
OBSOLETE	TUBE	4	12.14 [.478]			ADPA0404
OBSOLETE	TUBE	2	7.06 [.278]			ADPA02SA04
OBSOLETE	TUBE	2	7.06 [.278]			ADPA0204
OBSOLETE	TAPE & REEL SWITCH ON	10	27.38 [1.078]			ADP10STRON04
OBSOLETE	TAPE & REEL	10	27.38 [1.078]			ADP10STR04
OBSOLETE	TUBE	10	27.38 [1.078]			ADP10SA04
OBSOLETE	TUBE	10	27.38 [1.078]			ADP10S04
OBSOLETE	TUBE	10	27.38 [1.078]			ADP1004
OBSOLETE	TAPE & REEL SWITCH ON	9	24.84 [.978]			ADP09STRON04
OBSOLETE	TAPE & REEL	9	24.84 [.978]			ADP09STR04
OBSOLETE	TUBE	9	24.84 [.978]			ADP09SA04
OBSOLETE	TUBE	9	24.84 [.978]			ADP09S04
OBSOLETE	TUBE	9	24.84 [.978]			ADP0904
OBSOLETE	TAPE & REEL SWITCH ON	8	22.30 [.878]			ADP08STRON04
OBSOLETE	TAPE & REEL	8	22.30 [.878]			ADP08STR04
OBSOLETE	TUBE	8	22.30 [.878]			ADP08SA04
OBSOLETE	TUBE	8	22.30 [.878]			ADP08S04
OBSOLETE	TUBE	8	22.30 [.878]			ADP0804
OBSOLETE	TAPE & REEL SWITCH ON	7	19.76 [.778]			ADP07STRON04
OBSOLETE	TAPE & REEL	7	19.76 [.778]			ADP07STR04
OBSOLETE	TUBE	7	19.76 [.778]			ADP07SA04
OBSOLETE	TUBE	7	19.76 [.778]			ADP07S04
OBSOLETE	TUBE	7	19.76 [.778]			ADP0704
OBSOLETE	TAPE & REEL SWITCH ON	6	17.22 [.678]			ADP06STRON04
OBSOLETE	TAPE & REEL	6	17.22 [.678]			ADP06STR04
OBSOLETE	TUBE	6	17.22 [.678]			ADP06SA04
OBSOLETE	TUBE	6	17.22 [.678]			ADP06S04
OBSOLETE	TUBE	6	17.22 [.678]			ADP0604
OBSOLETE	TAPE & REEL SWITCH ON	5	14.68 [.578]			ADP05STRON04
OBSOLETE	TAPE & REEL	5	14.68 [.578]			ADP05STR04
OBSOLETE	TUBE	5	14.68 [.578]			ADP05SA04
OBSOLETE	TUBE	5	14.68 [.578]			ADP05S04
OBSOLETE	TUBE	5	14.68 [.578]			ADP0504
OBSOLETE	TAPE & REEL SWITCH ON	4	12.14 [.478]			ADP04STRON04
OBSOLETE	TAPE & REEL	4	12.14 [.478]			ADP04STR04
OBSOLETE	TUBE	4	12.14 [.478]			ADP04SA04
OBSOLETE	TUBE	4	12.14 [.478]			ADP04S04
OBSOLETE	TUBE	4	12.14 [.478]			ADP0404
OBSOLETE	TAPE & REEL SWITCH ON	2	7.00 [.276]			ADP02STRON04
OBSOLETE	TAPE & REEL	2	7.00±0.50 [.276±.020]			ADP02STR04
OBSOLETE	TUBE	2	7.00±0.50 [.276±.020]			ADP02SA04
OBSOLETE	TUBE	2	7.00±0.50 [.276±.020]			ADP02S04
OBSOLETE	TUBE	2	7.00±0.50 [.276±.020]			ADP0204

THIS DRAWING IS A CONTROLLED DOCUMENT.

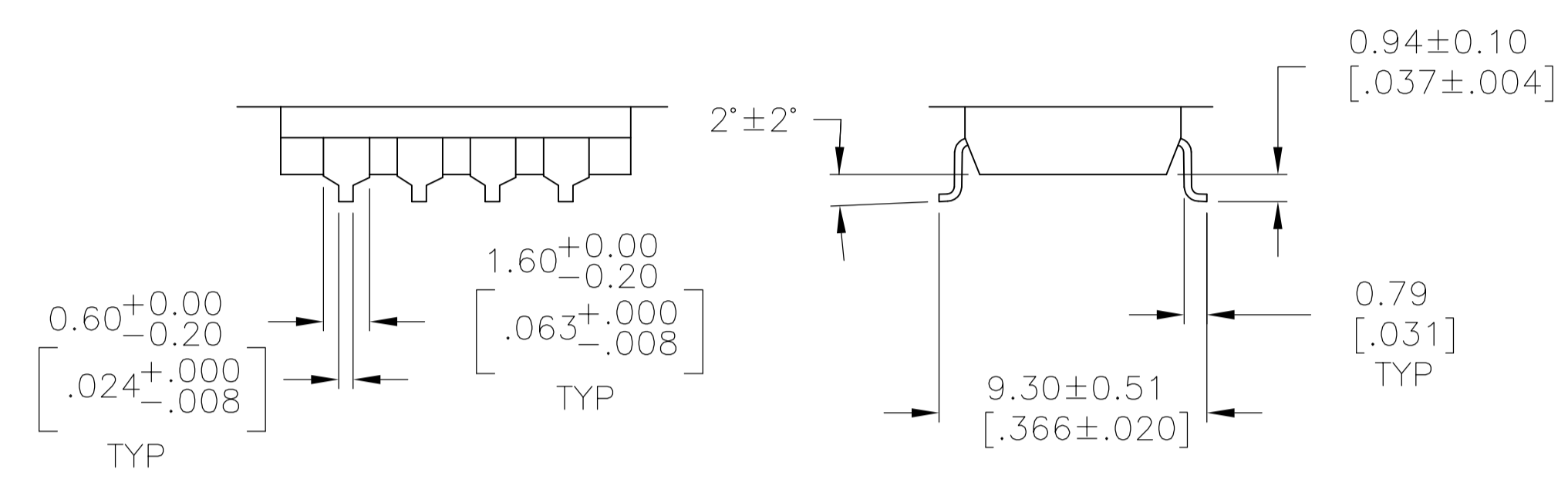
OWN: M. BINNER 14FEB05  
CHK: M. SARVER 15FEB05  
APVD: M. SARVER 15FEB05

TE Connectivity

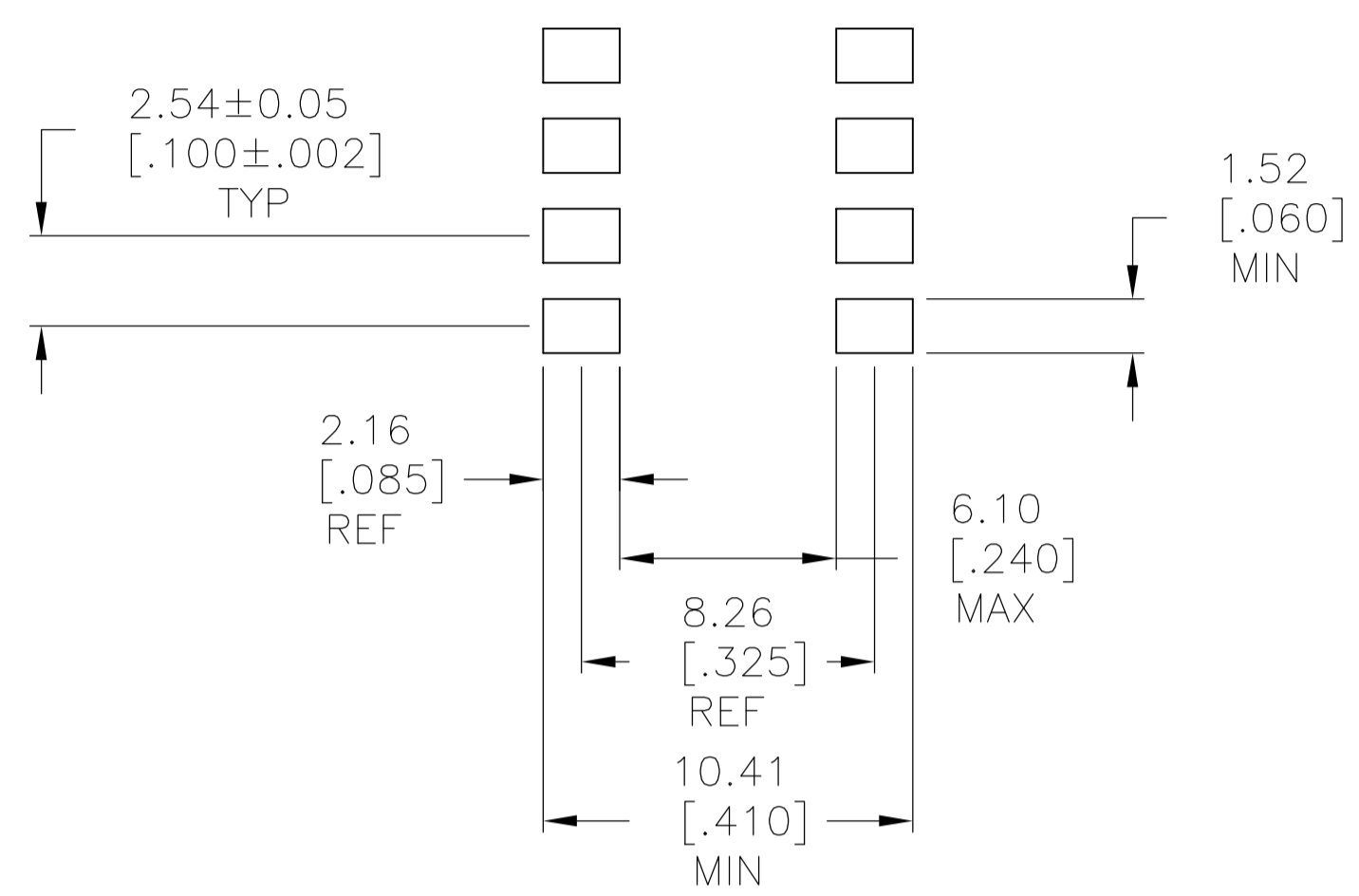
DIP SWITCH ASSEMBLY  
ADP/PA SERIES

SIZE: A1 GAGE CODE: C=1571999  
SCALE: 1:1 SHEET: 1 OF 2 REV: D6

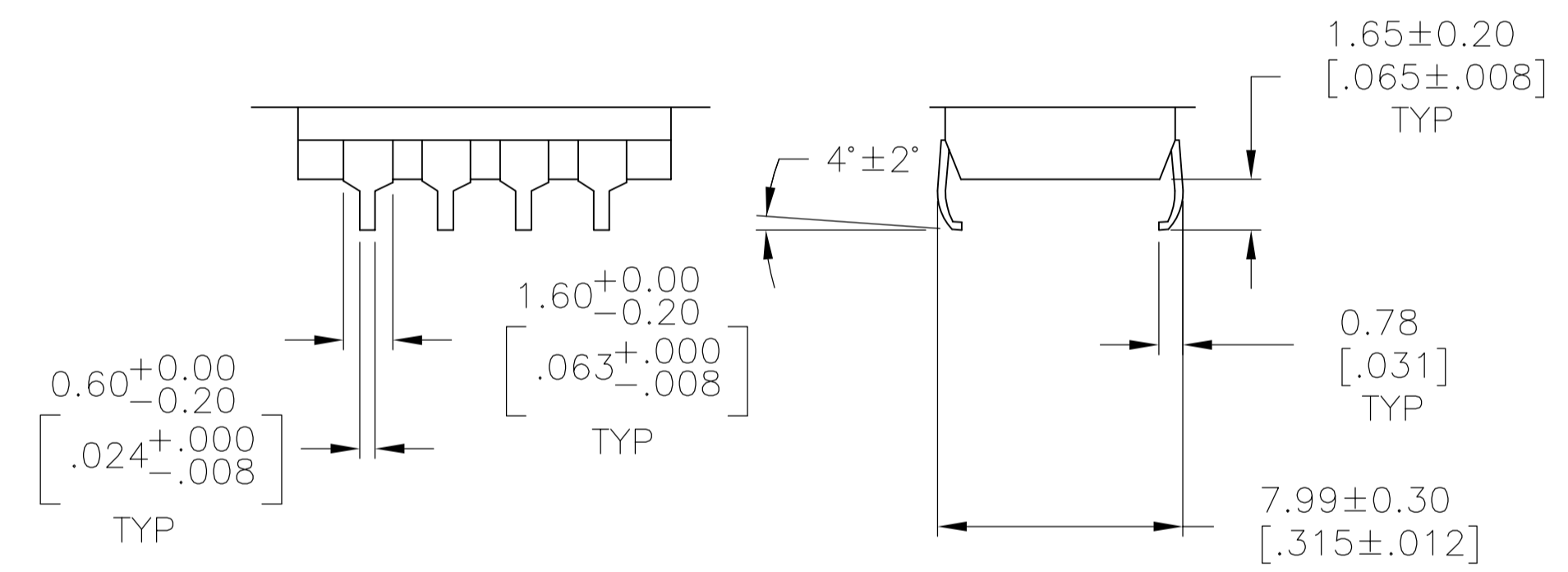
REVISIONS				
P	LTR	DESCRIPTION	DATE	APP'D
-	-	SEE SHEET 1	-	-



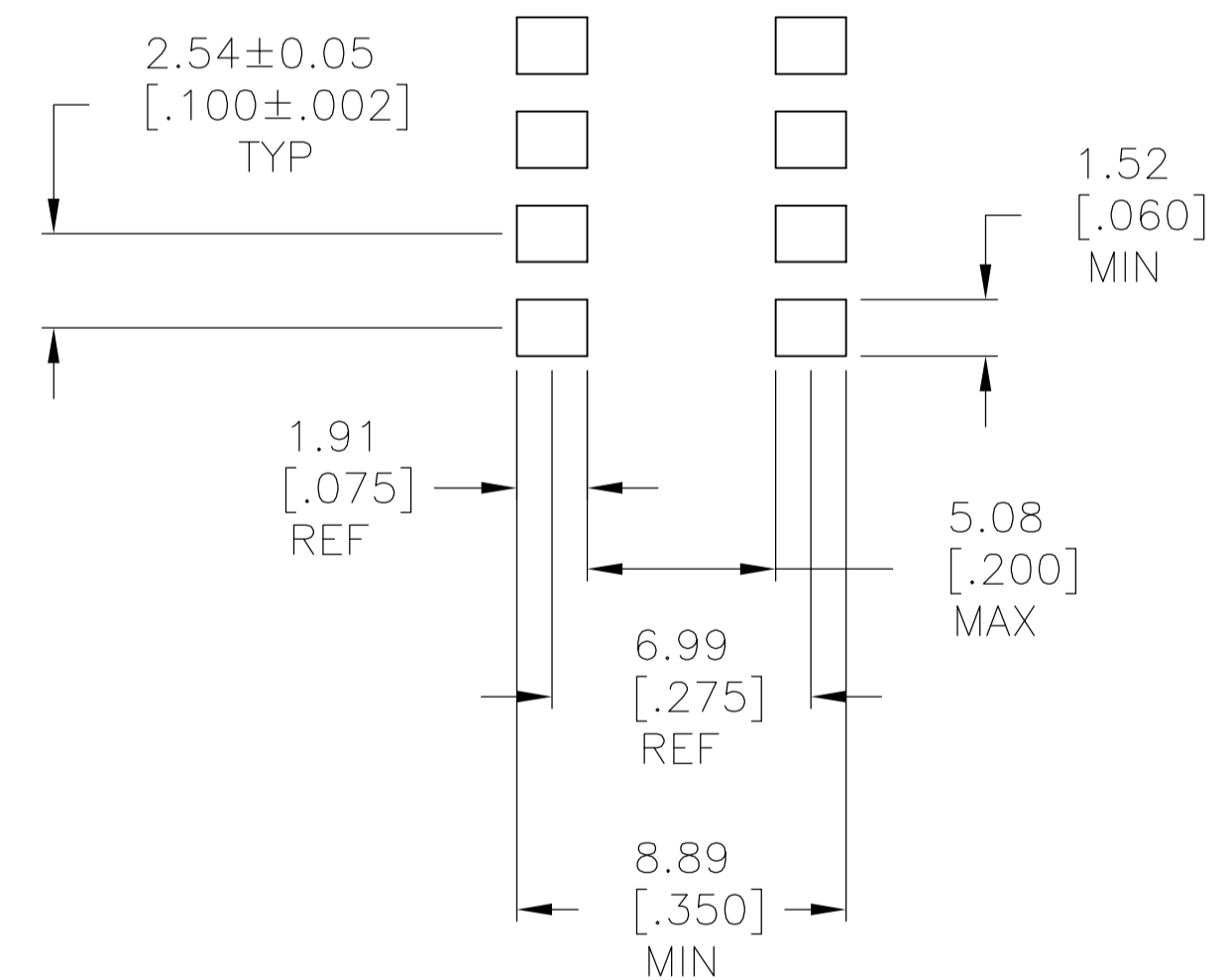
SURFACE MOUNT  
S TERMINATION



RECOMMENDED PAD LAYOUT  
SURFACE MOUNT  
"S" TERMINATION



SURFACE MOUNT  
SA TERMINATION



RECOMMENDED PAD LAYOUT  
SURFACE MOUNT  
"SA" TERMINATION

THIS DRAWING IS A CONTROLLED DOCUMENT.		OWN M. BINNER 14FEB05	TE Connectivity	
DIMENSIONS: mm [INCHES]		CHK M. SARVER 15FEB05		
TOLERANCES UNLESS OTHERWISE SPECIFIED:		APVD M. SARVER 15FEB05	NAME DIP SWITCH ASSEMBLY ADP/PA SERIES	
0 PLC ± -	1 PLC ± -	PRODUCT SPEC	SIZE CAGE CODE DRAWING NO	
2 PLC ± -	3 PLC ± .012[0.31]	APPLICATION SPEC	RESTRICTED TO	
4 PLC ± -	ANGLES ± 1°	WEIGHT	A1 00779 C=1571999	
MATERIAL	FINISH	CUSTOMER DRAWING	SCALE 1:1	SHEET 2 OF 2 REV D6

## X-ON Electronics

Largest Supplier of Electrical and Electronic Components

*Click to view similar products for [DIP Switches/SIP Switches](#) category:*

*Click to view products by [TE Connectivity](#) manufacturer:*

Other Similar products are found below :

[78M03S](#) [79B10T](#) [8136-475G4T](#) [G7G-1A2-CB-DC12](#) [A7SS-M](#) [DBP 2110](#) [DBP 2112](#) [DBS1008](#) [DHN02FTVTR](#) [DHN10T](#) [DHS108](#)  
[DPL08TN](#) [DRD16CSE04](#) [DRR4010](#) [DRR60016](#) [DRS4016](#) [BD06E](#) [1825008-1](#) [1825444-1](#) [25.350.0653.0](#) [LA2-DC12](#) [SBS 5004 TG](#)  
[SDA10H1BDA](#) [97R06ST](#) [A2C-2A5](#) [1825444-7](#) [ADE08SA04](#) [ADE12S04](#) [2161391-1](#) [2-1825058-8](#) [CCVA 2.5/ 4-G-5.08](#) [P26THRR32](#)  
[25.330.0653.1](#) [25.352.0353.0](#) [MDG305ST](#) [IKN0600000](#) [IKN0800000](#) [LA2-002-DC24](#) [DBP2008](#) [DBS1003](#) [DBS2008](#) [438872000](#)  
[DRD10CRAE04](#) [DRS1604](#) [DSR02T](#) [DSS 208 N](#) [5-1825033-1](#) [106-SDN06-EV](#) [1-1437507-6](#) [E2FMX2D1M1TGJ03M](#)  
[E3ZMCT81M1TJ03M](#)