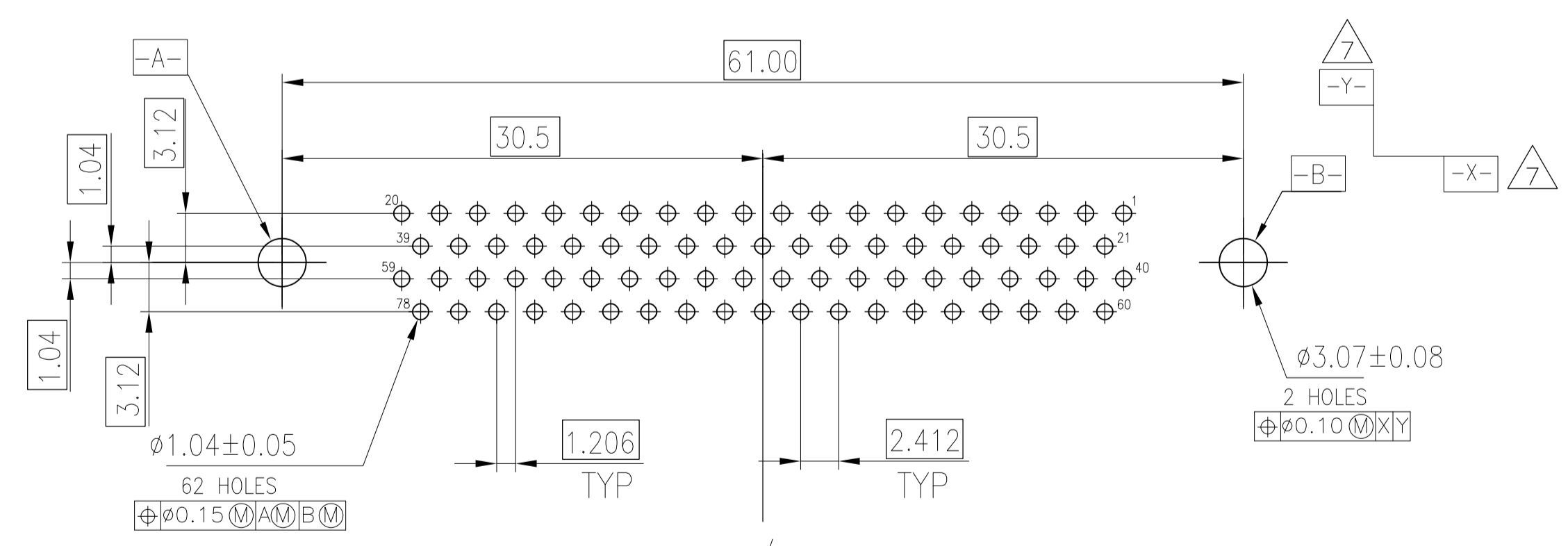
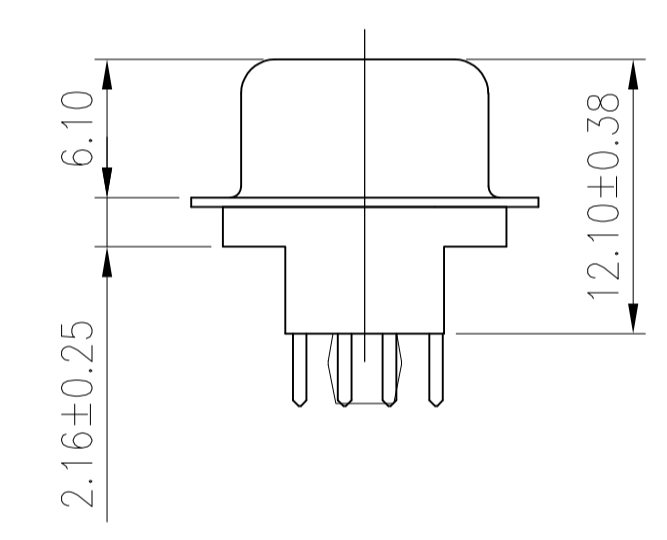
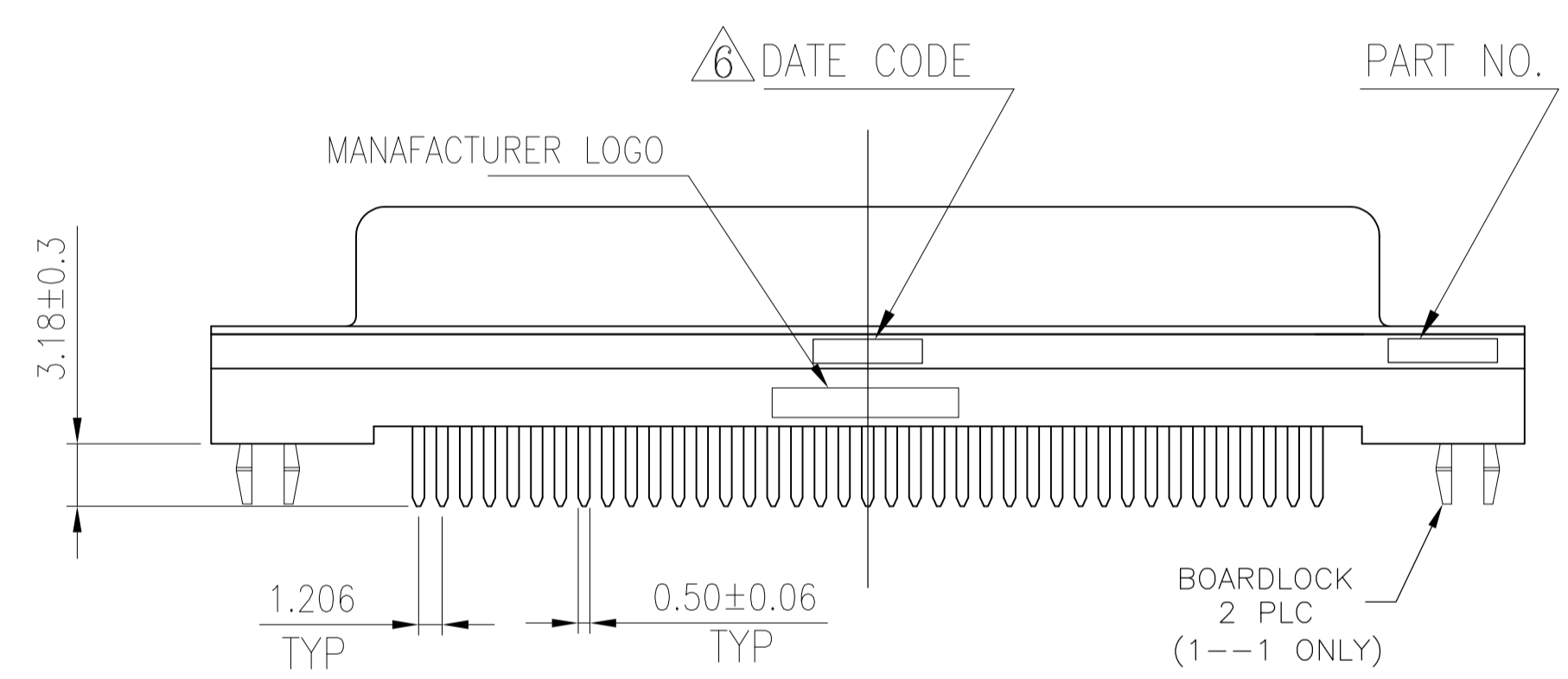


- HOUSING MATERIAL: PBT, GLASS FILLED, BLACK, UL 94V-0 RATED.
- CONTACT MATERIAL: PHOSPHOR BRONZE.
- CONTACT FINISH: GOLD PLATE IN MATING AREA (SEE TABLE), 120μ" MIN TIN PLATE ON SOLDER TAIL, BOTH OVER 50μ" MIN NICKEL UNDERPLATE.
- THREADED INSERTS AND BOARDLOCKS: BRASS, 100u" MIN TIN PLATE OVER 50u" MIN NICKEL UNDERPLATE.
- FEMALE SCREWLOCKS: BRASS, 50u" MIN NICKEL PLATE OVER 50u" MIN COPPER UNDERPLATE.

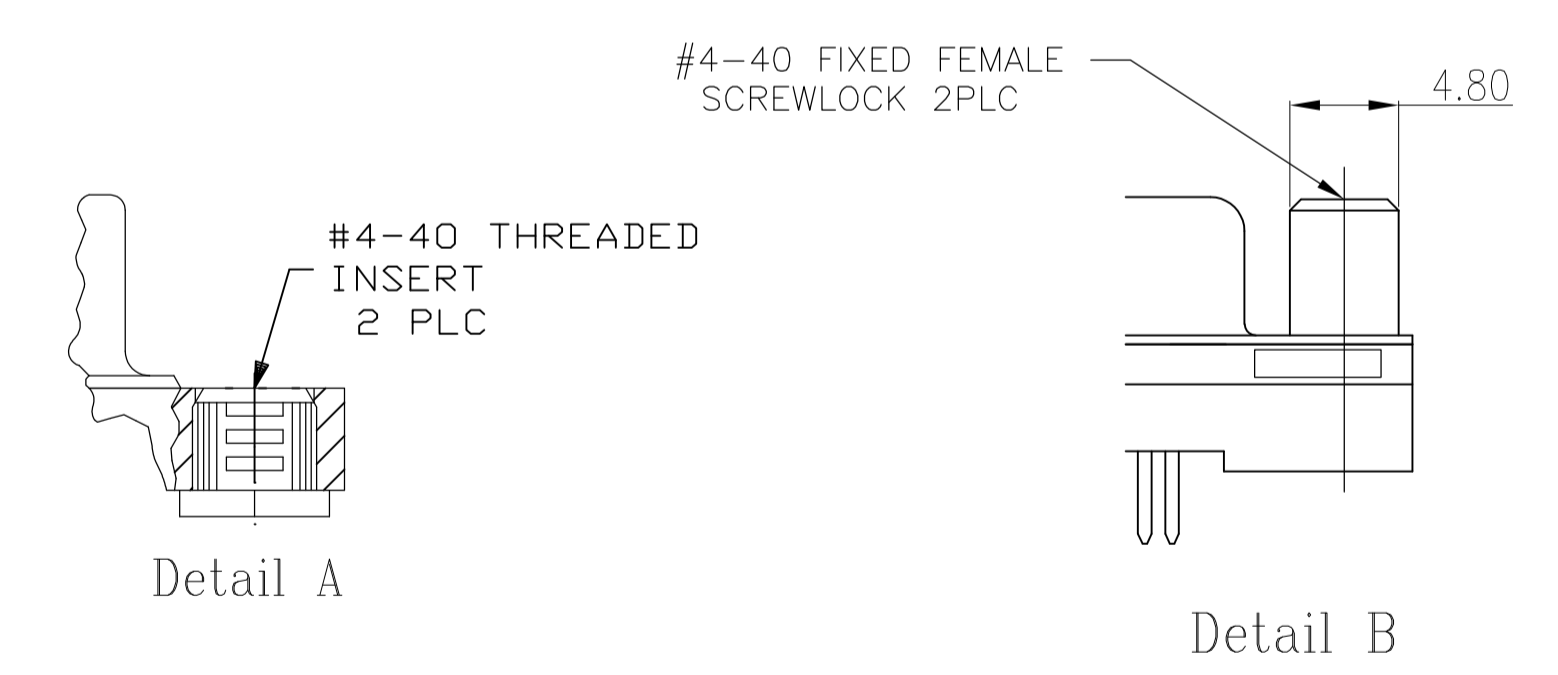
△ Four digit date code in this format.

01
45
 Year Manufacturing Week

△ DATUMS [-X-] & [-Y-] TO BE ESTABLISHED BY CUSTOMER.



RECOMMENDED PCB LAYOUT



OBSOLETE	YES	Tray	Detail B	30μ" MIN	-1-5748831-1
OBSOLETE	NO	Tray	Detail A	Gold flash	1-5748831-0
OBSOLETE	NO	Tray	Detail A	15μ" MIN	5748831-9
	NO	Tray	Detail A	30μ" MIN	5748831-1
BOARDLOCKS	Packaging	Mounting Flange Configuration	Contact Mating Area Finish	Part NO.	

THIS DRAWING IS A CONTROLLED DOCUMENT.

DIMENSIONS: mm	TOLERANCES UNLESS OTHERWISE SPECIFIED:	DIN B1 MCMMASTER 21SEP05	 TE Connectivity
0 PLC ± - 1 PLC ± 0.30 2 PLC ± 0.20 3 PLC ± 0.10 4 PLC ± - # Z ANGLES ± - # Z		CJK S. BOLASH 21SEP05 APVD M. WALMSLEY 21SEP05 NAME AMPLIMITE HD-22 PRODUCT SPEC 78 POS RECEPTACLE, VERTICAL	
MATERIAL	FINISH	WEIGHT	SIZE A1 CAGE CODE 00779 DRAWING NO. 5748831 RESTRICTED TO
CUSTOMER DRAWING		SCALE 3:1	SHEET 1 OF 1 REV B2

X-ON Electronics

Largest Supplier of Electrical and Electronic Components

Click to view similar products for [D-Sub High Density Connectors](#) category:

Click to view products by [TE Connectivity](#) manufacturer:

Other Similar products are found below :

[1484349-1](#) [163A16769X](#) [163A16809X](#) [163A17089X](#) [164A17199X](#) [164A17209X](#) [164A17479X](#) [164A18209X](#) [17BH-044S-AA110](#) [K86X-AD-26S](#) [KF66X-E15P-N](#) [241A17320X](#) [242A25680X](#) [242A25740X](#) [L717HDB44POL2R210](#) [L717HDCH62POL2RM5](#) [L717HDEH15POL2L777HDE15P](#) [L77HDC62S](#) [163A16599X](#) [163A16779X](#) [163A16839X](#) [163A17079X](#) [164A17309X](#) [164A17329X](#) [164A18219X](#) [241A16440X](#) [241A16550X](#) [241A16680X](#) [241A17390X](#) [241A20810X](#) [241A25740X](#) [CT25-44P](#) [K66X-E15S-N30](#) [K86X-BA-44S](#) [K86X-ED-15S-BR15](#) [K86X-ED-15SK](#) [L177HDE15SOL2RM23](#) [L177HRC62S](#) [L177HRC62SVFM](#) [L177HRCG62S](#) [L717HDBH44POL2RM5](#) [L717HDEG15POL2RM5](#) [L77HDA26SVF](#) [L77HDE15SD1CO](#) [L77HDEH15SOL2RM832](#) [443895-3](#) [106698-1](#) [5529599](#) [280-012K2C](#)