

4

3

2

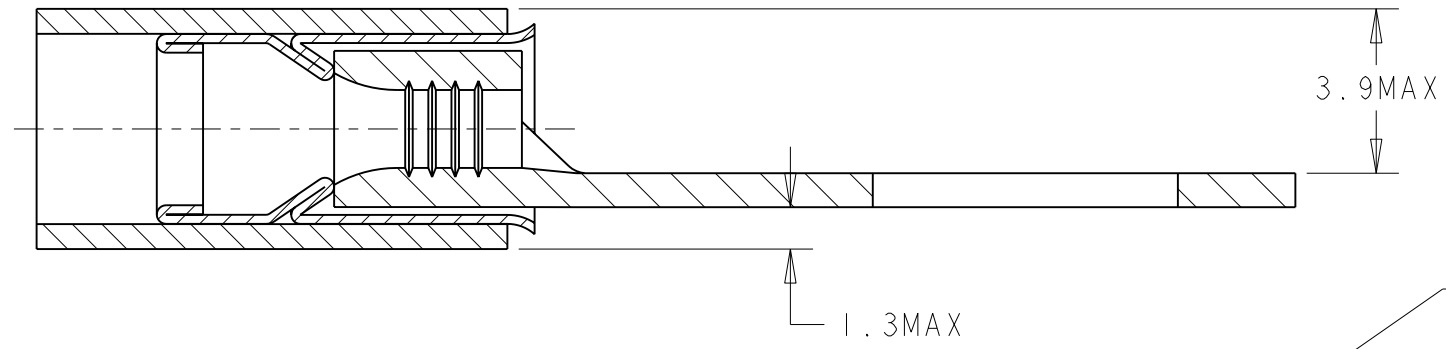
1

THIS DRAWING IS UNPUBLISHED. RELEASED FOR PUBLICATION 20
 © COPYRIGHT 20 BY TYCO ELECTRONICS CORPORATION. ALL RIGHTS RESERVED.

LOC	DIST	REVISIONS			
P	LTR	DESCRIPTION	DATE	DWN	APVD
F	00	B	09JUN2006	JJD	YP
		C	26OCT2007	JT	GR

D

COUPE C-C



C

FOR INSULATION
 $\varnothing 1.4 - 2.67$
 $\varnothing 5.15$ MAX

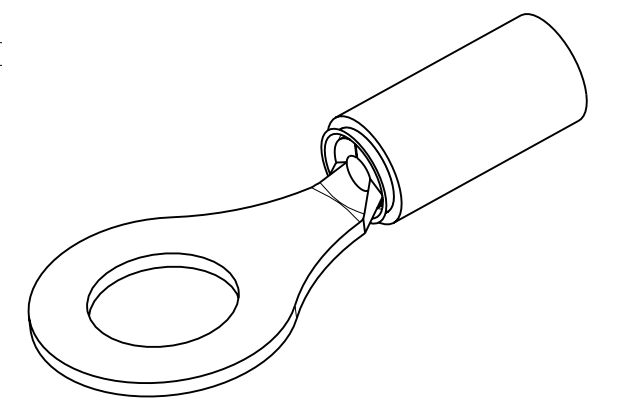
INSULATION
 SLEEVE

STAMP : AMP 18 16

SERRATIONS

BODY 0.80 ± 0.03 TONGUE
 THICKNESS

$\varnothing 6.74 \pm 0.13$
 FOR 1/4 STUD



SCALE 3:1

B

0.79 MIN

10.72 MIN

11.91 ± 0.15

22.35 MAX

28.38 MAX

WIRE TERMINAL	1577634-1	BODY : COPPER ANNEALED FINISH : NICKEL PLATED
		SLEEVE : COPPER ANNEALED FINISH : NICKEL PLATED
		INSULATION : PEEK COLOR : ORANGE
DESCRIPTION	PART NUMBER	MATERIAL & FINISH

A

THIS DRAWING IS A CONTROLLED DOCUMENT FOR TYCO ELECTRONICS CORPORATION
 IT IS SUBJECT TO CHANGE AND THE CONTROLLING ENGINEERING ORGANIZATION
 SHOULD BE CONTACTED FOR THE LATEST REVISION.

DIMENSIONS: mm	TOLERANCES UNLESS OTHERWISE SPECIFIED:
	0 PLC \pm
	1 PLC ± 0.3
	2 PLC \pm
	3 PLC \pm
	4 PLC \pm
	ANGLES ± 5
MATERIAL SEE TABLE	FINISH SEE TABLE

DWN JJ. DESPRETZ 22FEB2006	 Tyco Electronics France SAS 95300 Pontoise, France
CHK G. ROBERT 22FEB2006	
APVD Y. PETRONIN 22FEB2006	
PRODUCT SPEC 108-15356	
APPLICATION SPEC 114-15102	NAME TERMINAL, PEEK PIDG STRATO, 18-16 AWG
WEIGHT 1,34 gr	SIZE A3
CUSTOMER DRAWING	CAGE CODE 00779
	DRAWING NO 1577634
	RESTRICTED TO -
	SCALE 6:1
	SHEET 1
	OF 1
	REV C

X-ON Electronics

Largest Supplier of Electrical and Electronic Components

Click to view similar products for [Terminals](#) category:

Click to view products by [TE Connectivity](#) manufacturer:

Other Similar products are found below :

[HT-13-10](#) [71M-250-32-NB](#) [01-2065-1-0216](#) [00581P0075](#) [M10-10RX](#) [M10BCK](#) [60205-1](#) [604200-1](#) [60598-1-CUT-TAPE](#) [60617-1-C](#) [60873-1](#) [M14-516R/SK](#) [M14-6RSX](#) [M18-8FBX](#) [M18-8R/LX](#) [M18BCK](#) [61314-6-C](#) [61-S](#) [61-SN-A](#) [62-NBM-A](#) [63-S](#) [640179-1](#) [640917-2-CUT-TAPE](#) [6501550002](#) [66107-2-C](#) [696683-1](#) [696834-1](#) [696861-1](#) [696931-1](#) [696999-1](#) [M8-516RK](#) [M86700006](#) [MA250DMFMX-A](#) [701-2007](#) [701-2307](#) [701-7761-03](#) [70F-110-32-PB](#) [718-N-A](#) [71M-187-20-NBL](#) [71M-250-32-NBL](#) [72F-187-20-NBL](#) [72M-250-32-NBL](#) [7310](#) [73F-250-32](#) [73F-250-32-NL](#) [F14-10C](#) [F-1M](#) [751-250](#) [76650-5002](#) [76828-149](#)