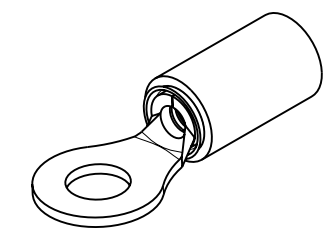
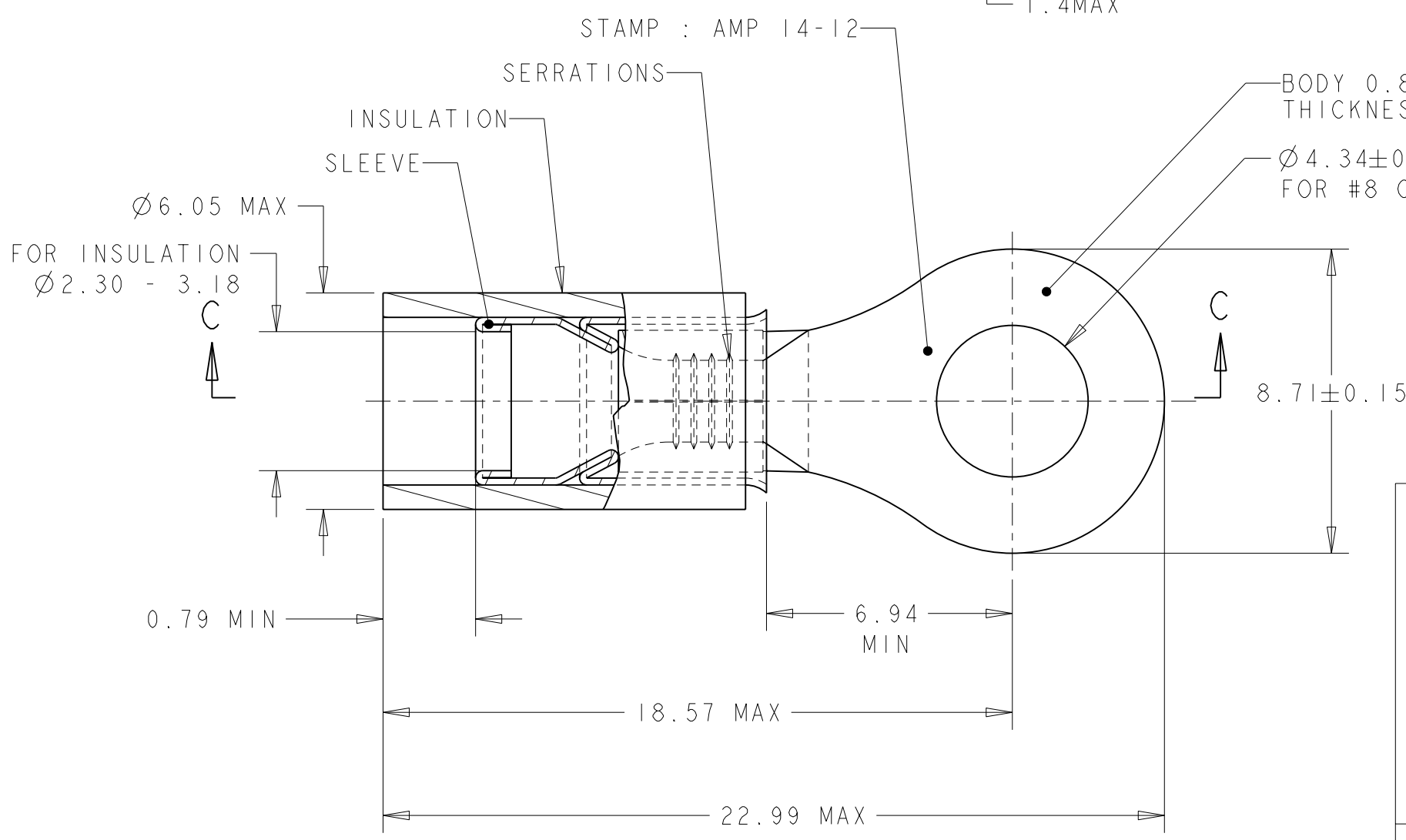
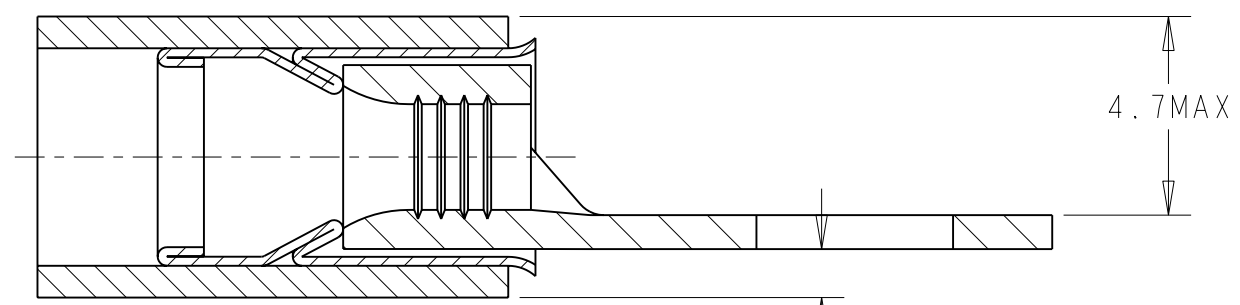


THIS DRAWING IS UNPUBLISHED. RELEASED FOR PUBLICATION 20
 © COPYRIGHT 20 BY TYCO ELECTRONICS CORPORATION. ALL RIGHTS RESERVED.

| LOC | DIST | REVISIONS | | | |
|-----|------|-------------|---------------|-----------|-------|
| P | LTR | DESCRIPTION | DATE | DWN | APVD |
| F | 00 | B | ECR 07-025006 | 29OCT2007 | JT GR |

COUPE C-C



| | | |
|---------------|-------------|--|
| WIRE TERMINAL | 1577639-1 | BODY : COPPER ANNEALED FINISH : NICKEL PLATED |
| | | SLEEVE : COPPER ANNEALED FINISH : NICKEL PLATED |
| | | INSULATION : PEEK COLOR : BEIGE |
| DESCRIPTION | PART NUMBER | MATERIAL & FINISH |

| | | | | |
|---|-----------|--------|-------------|--|
| <small>THIS DRAWING IS A CONTROLLED DOCUMENT FOR TYCO ELECTRONICS CORPORATION IT IS SUBJECT TO CHANGE AND THE CONTROLLING ENGINEERING ORGANIZATION SHOULD BE CONTACTED FOR THE LATEST REVISION.</small> | | DWN | 22FEB2006 | Tyco Electronics France SAS 95300 Pontoise, France |
| DIMENSIONS: mm | | CHK | 22FEB2006 | |
| TOLERANCES UNLESS OTHERWISE SPECIFIED: | | APVD | 22FEB2006 | |
| 0 PLC ±- 1 PLC ±0.3 2 PLC ±- 3 PLC ±- 4 PLC ±- ANGLES ±5 | | NAME | Y. PETRONIN | |
| MATERIAL | SEE TABLE | FINISH | SEE TABLE | PRODUCT SPEC 108-15356 APPLICATION SPEC 114-15102 WEIGHT 1,21 gr |
| CUSTOMER DRAWING | | | | NAME TERMINAL, PEEK PIDG STRATO, 14-12 AWG SIZE A3 CAGE CODE 00779 DRAWING NO C-1577639 RESTRICTED TO - |
| SCALE 6:1 | | | | SHEET 1 OF 1 REV B |

X-ON Electronics

Largest Supplier of Electrical and Electronic Components

Click to view similar products for [Terminals](#) category:

Click to view products by [TE Connectivity](#) manufacturer:

Other Similar products are found below :

[00-054007-01074-6](#) [00-054007-70206-1](#) [00-054007-70210-8](#) [00-054007-70217-7](#) [00-054007-70226-9](#) [00-054007-70228-3](#) [00-054007-70248-1](#) [00-054007-70256-6](#) [00-054007-70301-3](#) [00-054007-70316-7](#) [0-0320562-0](#) [00-054007-49560-4](#) [00-054007-70209-2](#) [00-054007-70225-2](#) [00-054007-70227-6](#) [00-054007-70231-3](#) [00-054007-70241-2](#) [00-054007-70242-9](#) [00-054007-70244-3](#) [00-054007-70246-7](#) [00-054007-70263-4](#) [00-054007-70288-7](#) [00-054007-70290-0](#) [00-054007-70300-6](#) [00-054007-70304-4](#) [01-2065-1-0216](#) [01-2900-1-04412](#) [00581P0075](#) [600TS-10](#) [60205-1](#) [604200-1](#) [605601-1](#) [60598-1-CUT-TAPE](#) [61314-6-C](#) [61810-3](#) [61-S](#) [61-SN](#) [626-0194](#) [62-NBM-A](#) [62-SN](#) [62-SP](#) [63-S](#) [640179-1](#) [M55155/059I03](#) [M55155/079C01](#) [M55155/099H02](#) [M55155/109H01](#) [M55155/109H02](#) [M55155/12XH05](#) [M55155/16XH02](#)