

THIS DRAWING IS UNPUBLISHED. RELEASED FOR PUBLICATION 2008  
 © COPYRIGHT 2008 BY TYCO ELECTRONICS CORPORATION. ALL RIGHTS RESERVED.

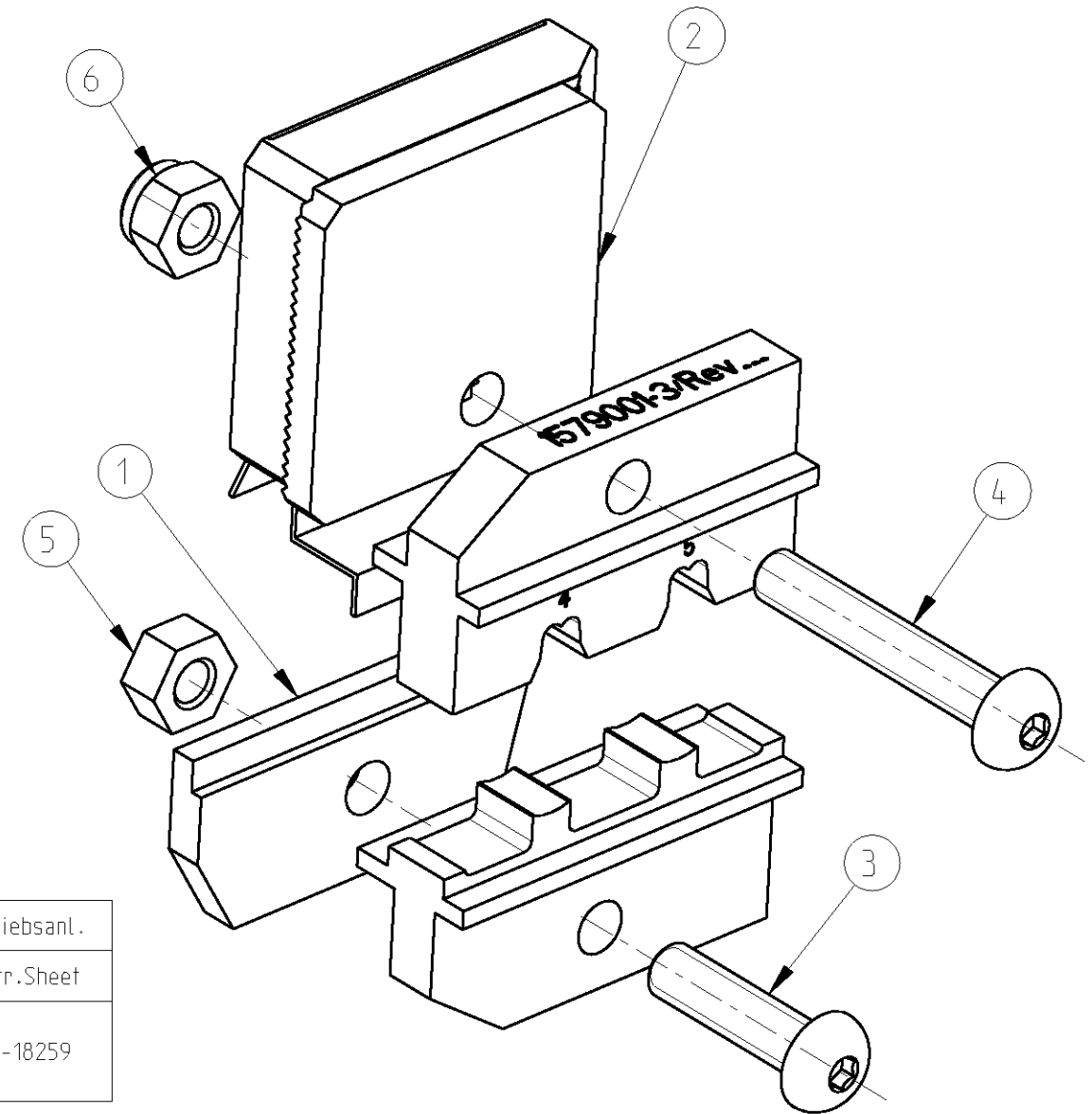
LOC	DIST	REVISIONS					
		P	LTR	DESCRIPTION	DATE	DWN	APVD
A1	-	-	-		-	-	-

# ERGOCRIMP DIE SET FOR UMNL TERMINALS WIRE SIZES 4,0 AND 5,0 mm<sup>2</sup>

Matrize in Kombination mit Ergocrimp Basishandzange TE P/N 539635-1 verwenden  
 Use die set in combination with Ergocrimp basis hand tool TE P/N 539635-1

Matrize im Karton mit Bedienungsanleitung 411-18259 verpackt  
 Die set packed in a cardboard with instruction sheet 411-18259

1579001-3	1	2-0744010-1	Instruction Sheet	Bedienungsanleitung	7
	1	0-0519024-2	Nut M4 DIN 985	Mutter M4 DIN 985	6
	1	0-0519021-8	Nut M4 DIN 934	Mutter M4 DIN 934	5
	1	1-0519151-3	Screw M4x25	Schraube M4x25	4
	1	1-0519151-1	Screw M4x16	Schraube M4x16	3
	1	1-1579005-5	Locator Assembly	Drahtanschlag	2
	1	1-1579005-4	Contact Guide	Kontaktstuetzung	1
	QTY Stck	TE P/N	Description	Benennung	Pos.



Kontakt	DGB (mm <sup>2</sup> )	Drahtcrimp / Wire Crimp		Isolationscrimp / Insulation Crimp		Isol.Ømm	Betriebsanl.
Contact	Wire Range	Hoehe/Height mm	Breite/Width mm	Hoehe/Height mm	Breite/Width mm	Ins.Range	Instr.Sheet
640309/640310	4.0	2,09 ±0.05	3,56 F	-----	-----	5,1 max.	411-18259
770234/770246/770247	5.0	2,31 ±0.05		-----	-----		

<small>THIS DRAWING IS A CONTROLLED DOCUMENT FOR TYCO ELECTRONICS CORPORATION                  IT IS SUBJECT TO CHANGE AND THE CONTROLLING ENGINEERING ORGANIZATION                  SHOULD BE CONTACTED FOR THE LATEST REVISION.</small>		DWN Ch.Witt	28JUL2008	<b>tyco</b> Electronics		tyco Electronics AMP GmbH D - 64625 Bensheim			
DIMENSIONS: mm		TOLERANCES UNLESS OTHERWISE SPECIFIED:		NAME ERGOCRIMP DIE SET FOR UMNL TERMINALS Ergocrimp Matrize fuer UMNL-Kontakte					
		0 PLC ± 1 PLC ± 2 PLC ± 3 PLC ± 4 PLC ± ANGLES ±1°		PRODUCT SPEC - APPLICATION SPEC -					
MATERIAL -		FINISH -		WEIGHT 200 g		SIZE A3	CAGE CODE 00779	DRAWING NO C=1579001-3	RESTRICTED TO -
CUSTOMER DRAWING				SCALE 2:1	SHEET 1 OF 1	REV A			

## X-ON Electronics

Largest Supplier of Electrical and Electronic Components

*Click to view similar products for [Punches & Dies](#) category:*

*Click to view products by [TE Connectivity](#) manufacturer:*

Other Similar products are found below :

[58510-1](#) [63454-1601](#) [63457-0056](#) [63457-3401](#) [730-5/8](#) [730BB-1-3/8](#) [PV-670508-001](#) [1328](#) [1338](#) [13782656](#) [13782673](#) [13782686](#) [AR-19](#)  
[AR-24](#) [1528-TL](#) [1583609-1](#) [1720](#) [1762951-1](#) [2063500-2](#) [19031-0168](#) [AR-20](#) [AR-23](#) [313336-3](#) [11-19-3122](#) [539663-1](#) [63446-2241](#) [TL-18](#)  
[0634451912](#) [1762674-1](#) [63454-0123](#) [68240-1](#) [68247-1](#) [734252](#) [313183-1](#) [PA2029](#) [119174-001](#) [23846-1](#) [11-40-5342](#) [68010-2](#) [690370015](#)  
[730BB-1-1/8](#) [730BB-1-1/16](#) [19032-0048](#) [63465-0023](#) [11-40-4438](#) [63457-0041](#) [2906252-01](#) [19032-0202](#) [11-11-0054](#) [11-11-0052](#)