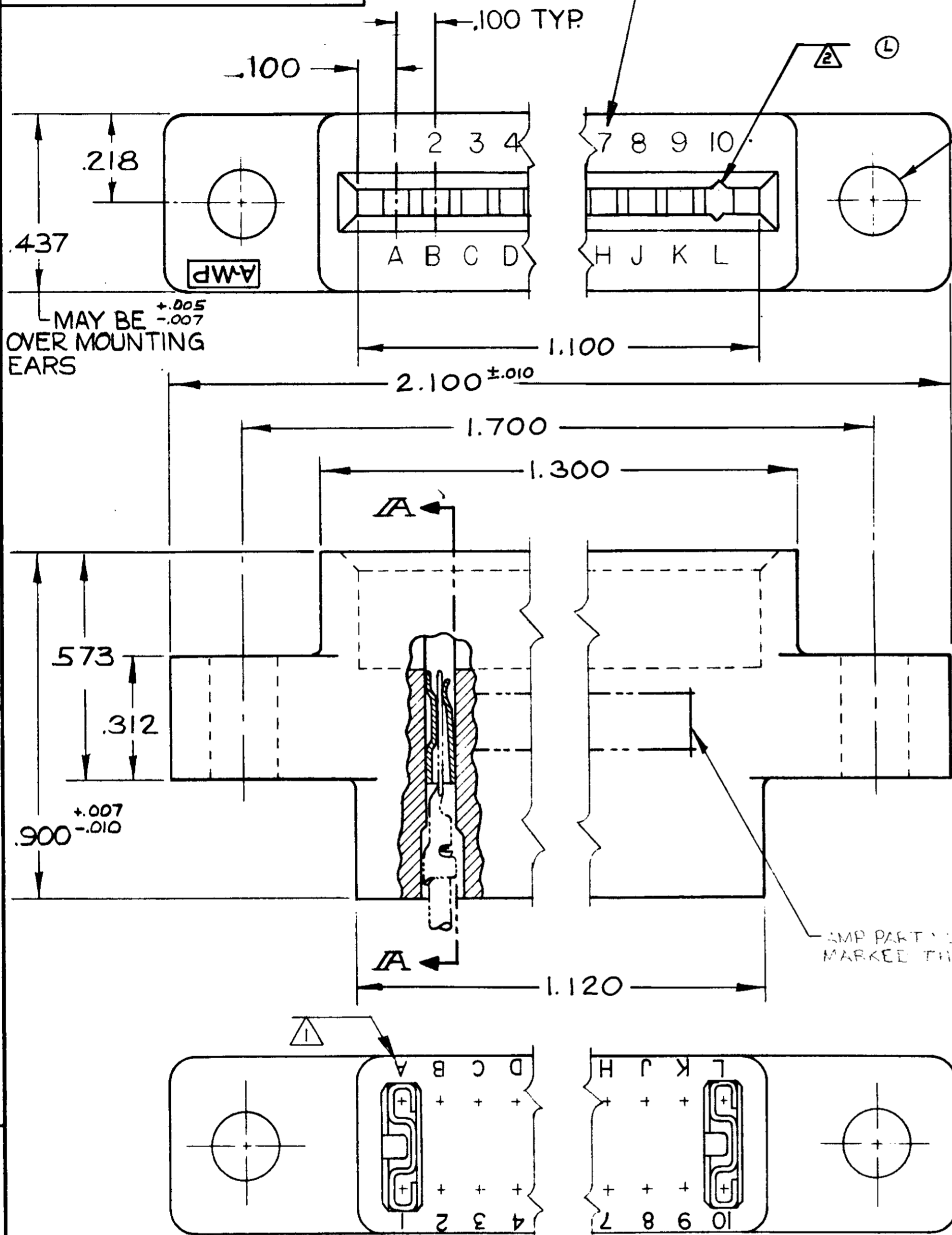


© 1963 BY AMP INCORPORATED. ALL RIGHTS RESERVED. AMP PRODUCTS COVERED BY PATENTS AND/OR PATENTS PENDING. APPROVED PER GOVT CONTRACT NO.

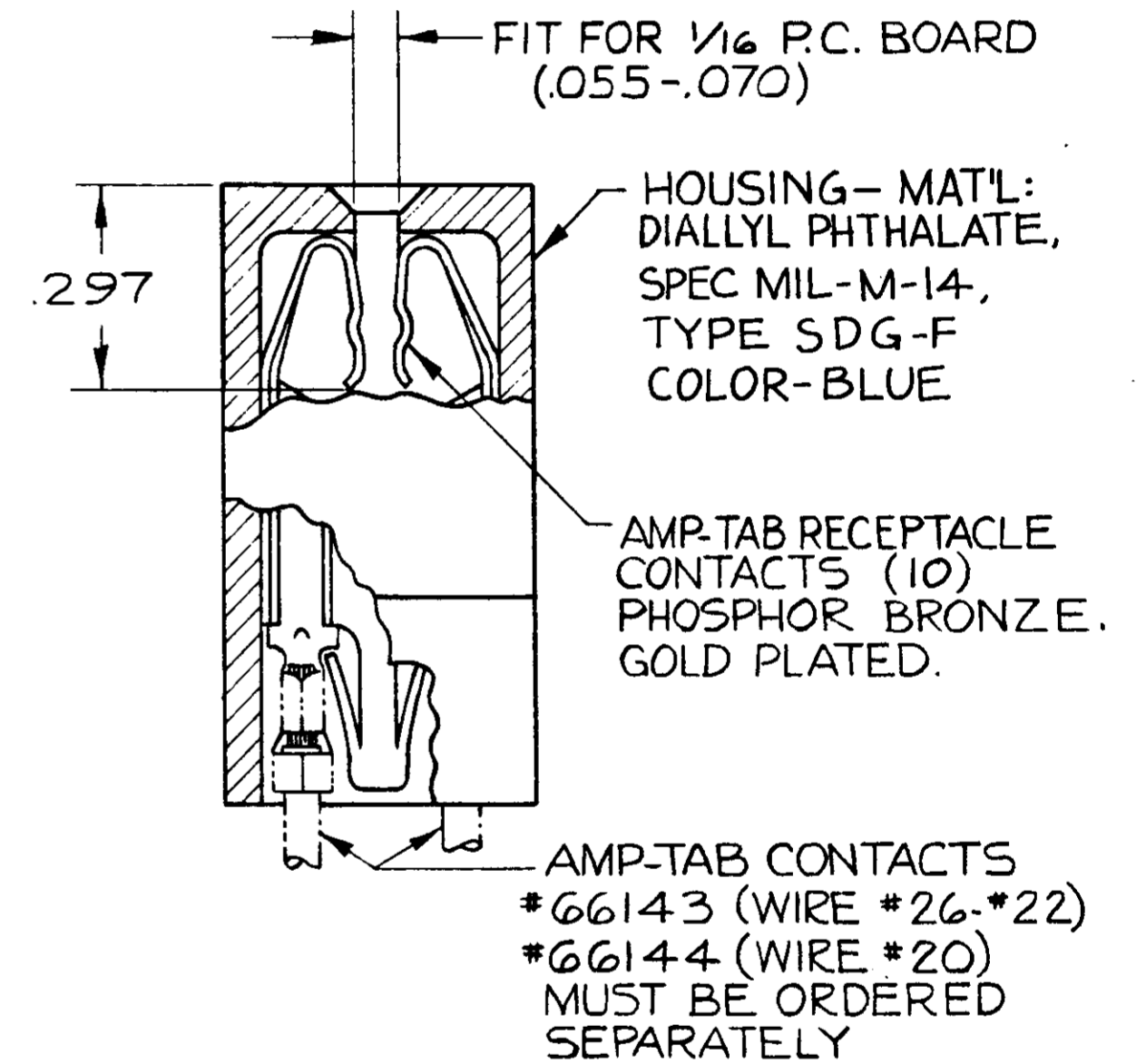
CAVITY IDENTIFICATION ON P/N (1)-582551-1 ONLY.

REVISIONS				
ZONE	LTR	DESCRIPTION	DATE	APPROVED
✓	P	REVISED PER 0600-3683-95 TA	10-95	/WARNER



obs. 582551-2 1. SAME AS -1 EXCEPT. 2. "J" DIA. HOLES = .128

(1)-582551-1 1. SAME AS -1 EXCEPT TO HAVE CAVITY IDENTIFICATION ON TOP SURFACE OF HOUSING.



SECTION A-A

NOTE:
 ① UPPER CASE LETTERS, OMIT LETTERS G, I, O & Q. CIRCUIT CAVITY IDENTIFICATION MARKING PER MIL-C-21097.
 ② GROOVES FOR "ON CONTACT KEYING" AMP'S OPTION DEPENDING ON METHOD OF MANUFACTURE. FOR "ON CONTACT" KEYING USE KEYING PLUG P/N 583487-1 (MUST BE ORDERED SEPARATELY).

UNLESS OTHERWISE SPECIFIED DIMENSIONS ARE IN INCHES TOLERANCES ON		CONTRACT NO.		AMP INCORPORATED HARRISBURG, PENNSYLVANIA	
FRACTIONS ±	DECIMALS ± .005	ANGLES ±	DR <i>J. acid</i>	DATE 6-7-67	AMP TRADEMARK
SEE CALLOUT			CHK <i>S. H. ...</i>	DATE 11/16/67	NAME
HEAT TREAT			DSGN ENGR	DATE	10 POSITION AMP-TAB CONNECTOR .100 CENTERS DUAL
FINISH SEE CALLOUT			APPD	DATE	SIZE
			DSGN APPD	DATE	CODE IDENT NO 00779
			OTHER APPD	DATE	NUMBER 582551
			SCALE 4-1		WT
			CALL		ACTUAL
			SHEET		

NUMBER CUS. 582551

X-ON Electronics

Largest Supplier of Electrical and Electronic Components

Click to view similar products for [Headers & Wire Housings](#) category:

Click to view products by [TE Connectivity](#) manufacturer:

Other Similar products are found below :

[95000-104TRLF](#) [10135584-644402LF](#) [DF62W-EP2022PCA](#) [95000-106TRLF](#) [DF62W-2022SCA](#) [DF62W-EP2022PC](#) [2203348](#) [DF62W-2022SC](#) [1084018](#) [1029039](#) [1084017](#) [802-10-012-10-002000](#) [1112640](#) [1112639](#) [000-34000](#) [0008550134](#) [0009482033](#) [0009507031](#) [57102-F02-18ULF](#) [57102-S06-03LF](#) [57202-S52-04LF](#) [PCN6-15S-2.5E](#) [0039019024](#) [58102-G61-06LF](#) [582553-1](#) [0009485154](#) [0009508121](#) [009176003701906](#) [0022285053](#) [0050291907](#) [018731A](#) [LY20-4P-DT1-P1E-BR](#) [02.125.8002.8](#) [60101931](#) [60598-1 \(Cut Strip\)](#) [M1625-3R/100](#) [61062-3](#) [61082-181009](#) [CSU011177004](#) [636-1427](#) [638009-1](#) [641938-9](#) [641991-4](#) [644168-1](#) [644827-2](#) [647662-1](#) [65039-019ELF](#) [65692-001LF](#) [65781-018](#) [65781-047](#)