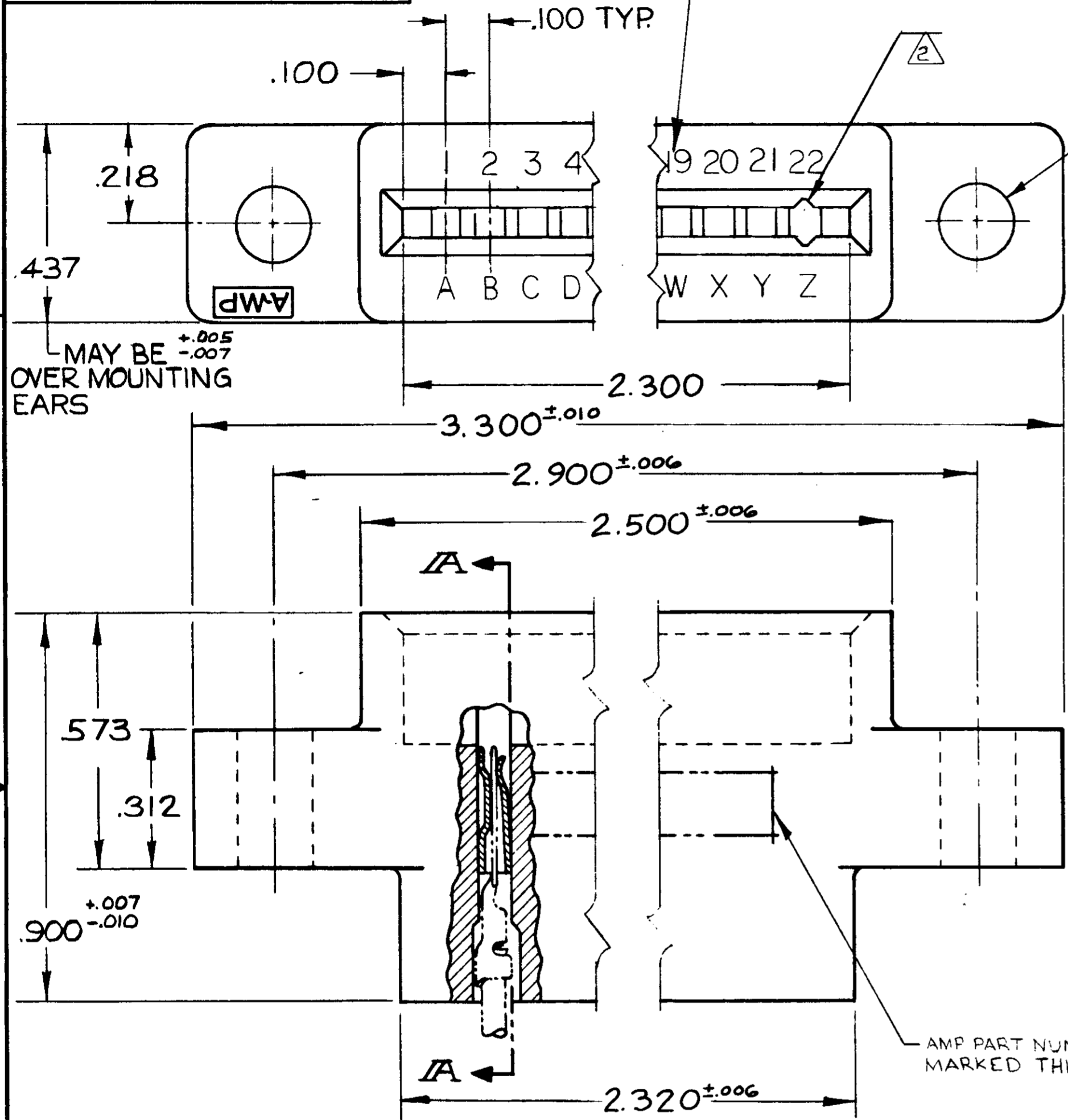


© 1963 BY AMP INCORPORATED. ALL RIGHTS RESERVED. AMP PRODUCTS COVERED BY PATENTS AND/OR PATENTS PENDING. APPROVED PER GOVT CONTRACT NO.

REVISIONS				
ZONE	LTR	DESCRIPTION	DATE	APPROVED
	R	REVISED PER 0600-3683-95 TA	10-75	J. WARNER
	S	ECO-08-020973	PY 11-08	JW

CAVITY IDENTIFICATION ON P/N'S (1)-582557-1 AND (1)-582557-2 ONLY.

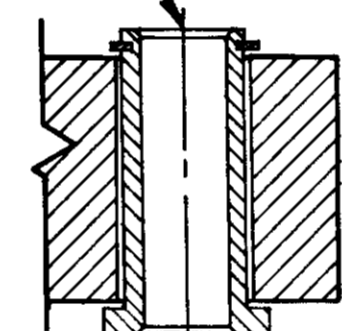


582557-1 1. AS SHOWN. "J" DIA. HOLES = .156  
 OBS. ~~582557-2~~ 1. SAME AS -1 EXCEPT.  
 2. "J" DIA. HOLES = .128

OBS. ~~582557-4~~ 1. SAME AS -1 EXCEPT:  
 2. FLOATING BUSHINGS.

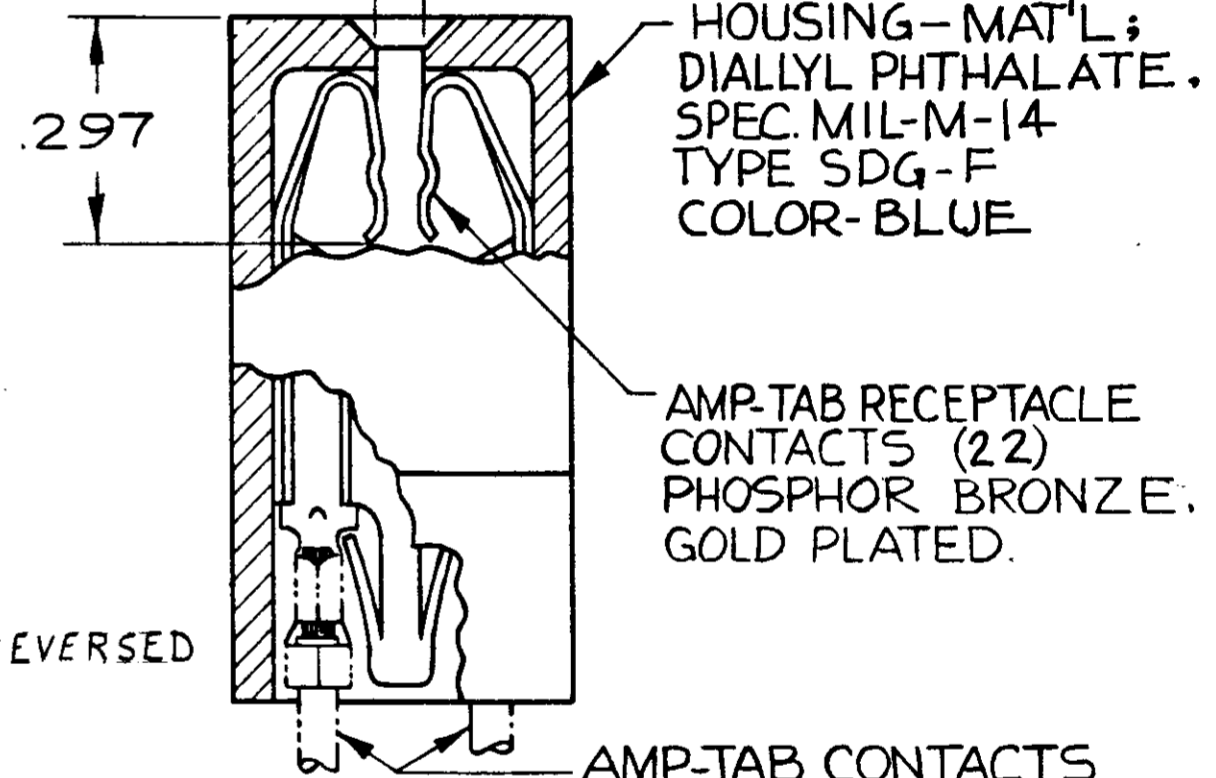
OBS. ~~582557-5~~ 1. SAME AS -4 EXCEPT:  
 - BUSHINGS REVERSED.  
 (1)-582557-1 1. SAME AS -1 EXCEPT TO HAVE CAVITY IDENT. ON TOP SURFACE OF HOUSING.  
 (1)-582557-2 1. SAME AS -2 EXCEPT TO HAVE CAVITY IDENT. ON TOP SURFACE OF HOUSING.

CLEARANCE FOR #4 SCREW

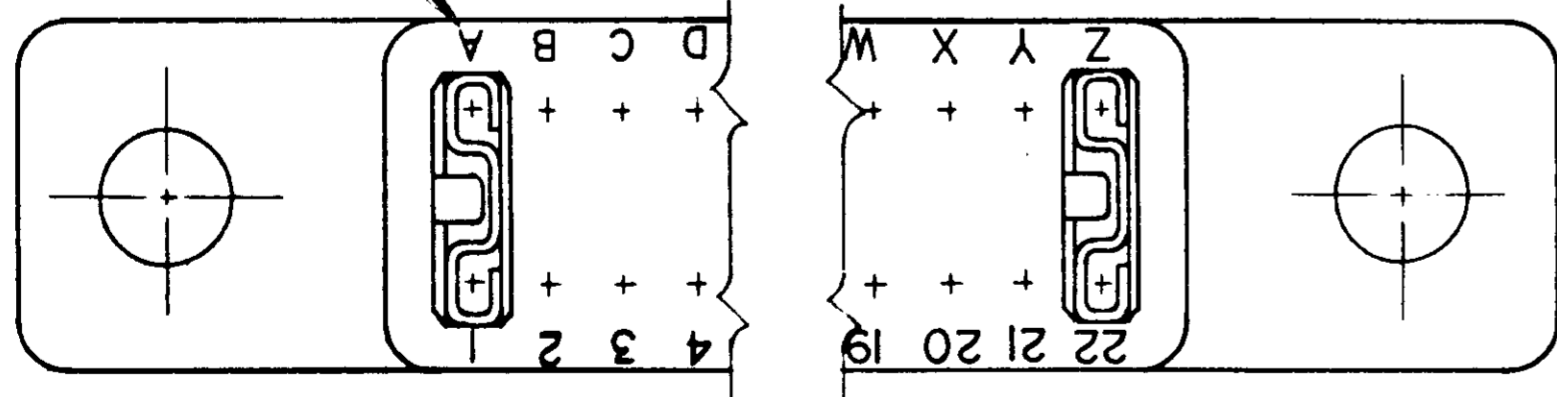


-4  
 -5 BUSHING REVERSED AS SHOWN

FIT FOR 1/16 P.C. BOARD (.055-.070)



SECTION A-A



NOTE:  
 1. UPPER CASE LETTERS. OMIT LETTERS G, I, O, & Q  
 CIRCUIT CAVITY IDENTIFICATION MARKING PER MIL-C-21097.  
 2. GROOVES FOR "ON CONTACT KEYING" AMP'S OPTION DEPENDING ON METHOD OF MANUFACTURE. FOR "ON CONTACT" KEYING USE KEYING PLUG D/N 583487-1 (MUST BE ORDERED SEPARATELY.)

3. LASER MARKING ACCEPTABLE FOR ALL MARKING

UNLESS OTHERWISE SPECIFIED DIMENSIONS ARE IN INCHES TOLERANCES ON		CONTRACT NO.		AMP INCORPORATED HARRISBURG, PENNSYLVANIA	
FRACTIONS ±	DECIMALS ± .005	ANGLES ±	DR <i>J. Asch</i>	DATE 6-7-67	 NAME <b>22 POSITION AMP-TAB CONNECTOR .100 CENTERS DUAL</b>
SEE CALLOUT			CHK <i>S.S. Heide</i>	DATE 3/9/67	
HEAT TREAT —			APPD <i>Shawman</i>	DATE 1/21/67	
FINISH SEE CALLOUT			DSGN APPD	DATE	
MATERIAL		OTHER APPD		SIZE C	CODE IDENT NO 00779
NUMBER 582557		REV S		SCALE 4-1	

## X-ON Electronics

Largest Supplier of Electrical and Electronic Components

*Click to view similar products for [Headers & Wire Housings](#) category:*

*Click to view products by [TE Connectivity](#) manufacturer:*

Other Similar products are found below :

[95000-104TRLF](#) [10135584-644402LF](#) [DF62W-EP2022PCA](#) [95000-106TRLF](#) [DF62W-2022SCA](#) [DF62W-EP2022PC](#) [2203348](#) [DF62W-2022SC](#) [1084018](#) [1029039](#) [1084017](#) [802-10-012-10-002000](#) [1112640](#) [1112639](#) [891-007-9SS-BST1T](#) [000-34000](#) [0008550134](#) [0009482033](#) [0009507031](#) [57102-F02-18ULF](#) [57102-S06-03LF](#) [57202-S52-04LF](#) [PCN6-15S-2.5E](#) [0039019024](#) [58102-G61-06LF](#) [582553-1](#) [0009485154](#) [0009508121](#) [0022285053](#) [0050291907](#) [018731A](#) [LY20-4P-DT1-P1E-BR](#) [02.125.8002.8](#) [60101931](#) [60598-1 \(Cut Strip\)](#) [M1625-3R/100](#) [61062-3](#) [61082-181009](#) [CSU011177004](#) [636-1427](#) [638009-1](#) [641938-9](#) [641991-4](#) [644168-1](#) [644827-2](#) [647662-1](#) [65039-019ELF](#) [65692-001LF](#) [65781-018](#) [65781-047](#)