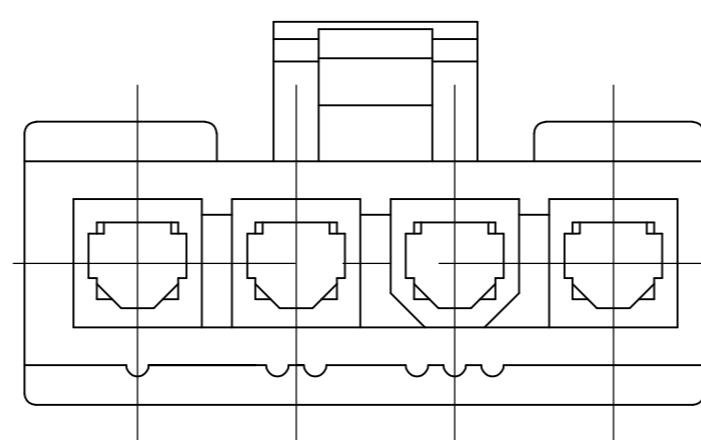
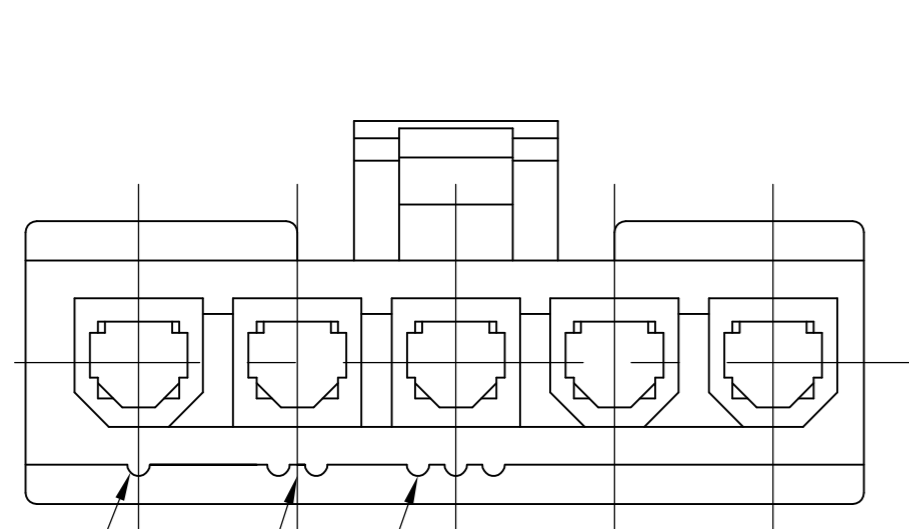
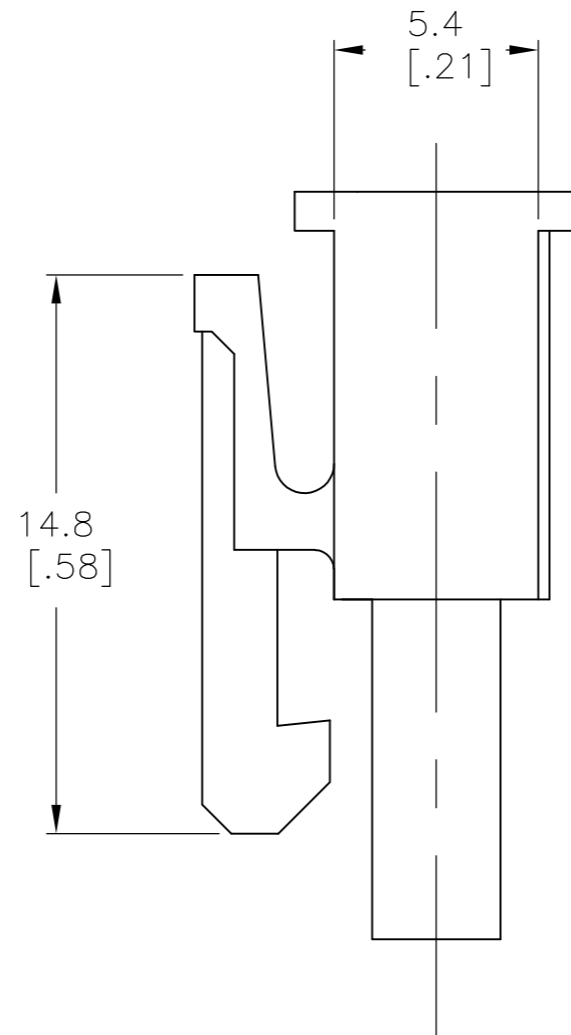
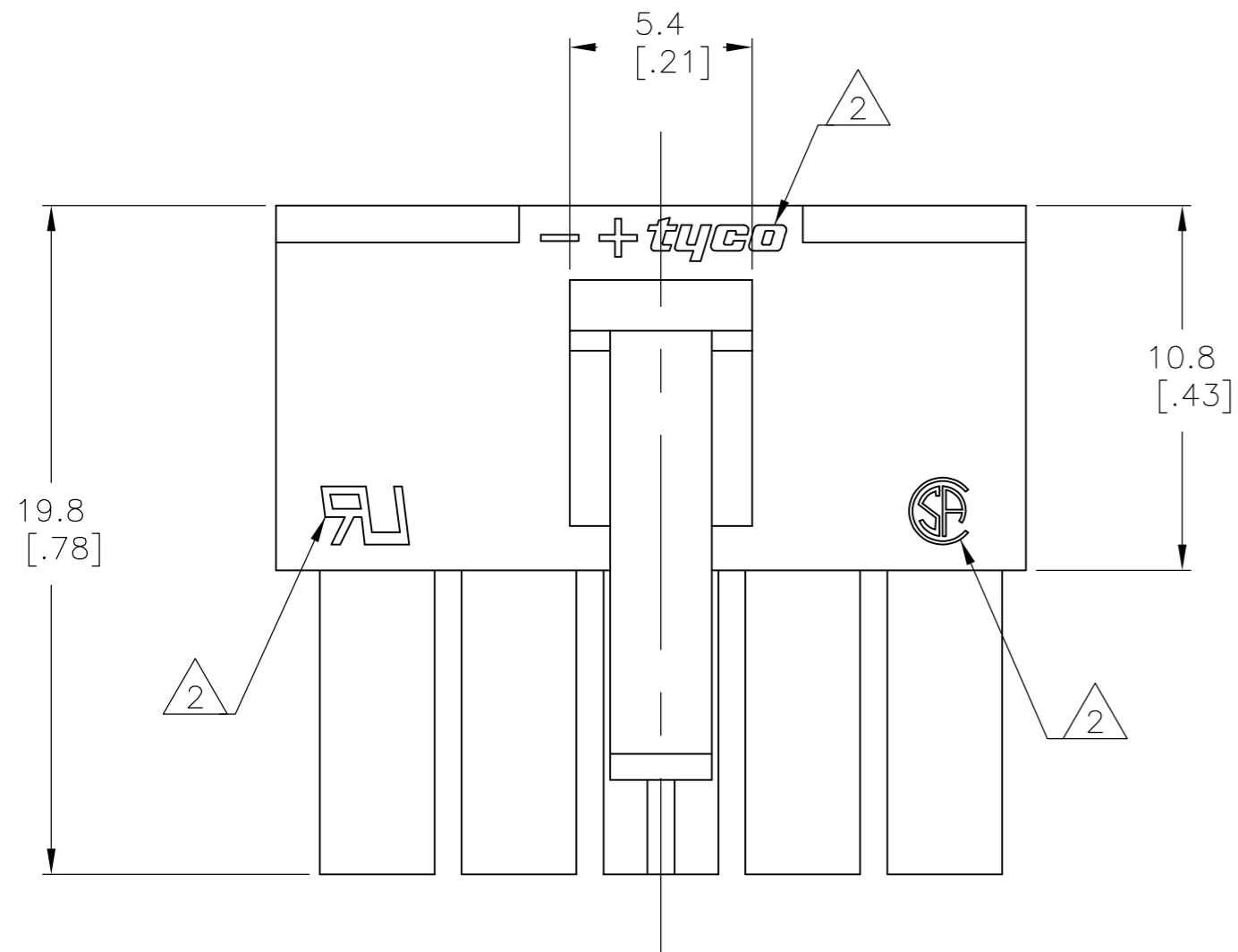
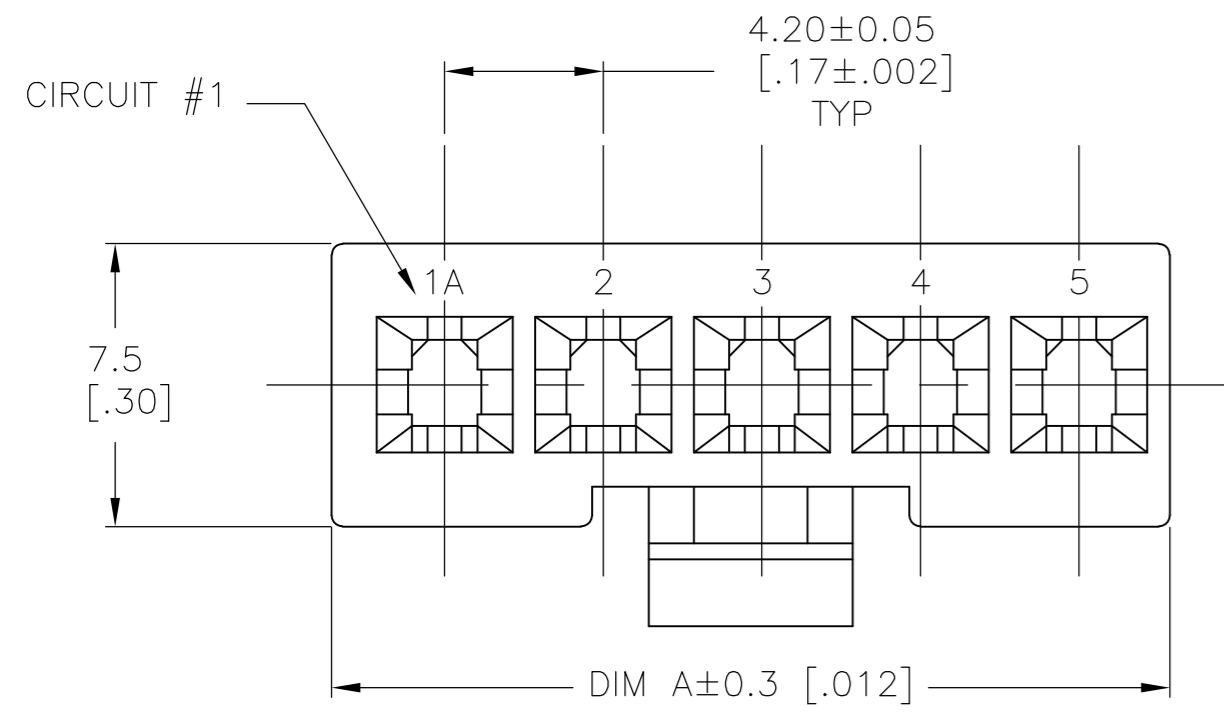


THIS DRAWING IS UNPUBLISHED. RELEASED FOR PUBLICATION  
 © COPYRIGHT BY TYCO ELECTRONICS CORPORATION. ALL RIGHTS RESERVED.

LOC	DIST	REVISIONS					
CM	00	P	LTR	DESCRIPTION	DATE	DWN	APVD
		D		REVISED PER ECO-08-014350	10JUN08	HMR	CC



4 POSITION MATING FACE  
(FOR POLARIZATION IDENTIFICATION)

**METRIC**

- 1 MATERIAL : NYLON 66 UL94V-2
- 2 TE LOGO, UL LOGO, AND CSA LOGO - SIZE, LOCATION, AND ORIENTATION OPTIONAL.

22.2 [.87]	5	1586026-5
18.0 [.71]	4	1586026-4
DIM A	POS	PART NUMBER

THIS DRAWING IS A CONTROLLED DOCUMENT.		DWN	08SEP03	Tyco Electronics Corporation	
DIMENSIONS: mm [INCHES]		S. HOOVER	08SEP03	Harrisburg, PA 17105-3608	
TOLERANCES UNLESS OTHERWISE SPECIFIED:		CHK	08SEP03	NAME	
0 PLC	± -	D. COLEY	08SEP03	RECEPTACLE, SINGLE ROW, VAL-U-LOK(TM)	
1 PLC	± 0.2 [.01]	APVD	08SEP03	SIZE	CAGE CODE
2 PLC	± -	PRODUCT SPEC	-	A2	00779
3 PLC	± -	APPLICATION SPEC	-	DRAWING NO	RESTRICTED TO
4 PLC	± -	WEIGHT	-	C=1586026	-
ANGLES	± -	CUSTOMER DRAWING	-	SCALE	SHEET
FINISH	-	SCALE	5:1	1 of 1	REV
MATERIAL	1	SCALE	5:1	1 of 1	D

## X-ON Electronics

Largest Supplier of Electrical and Electronic Components

*Click to view similar products for [Headers & Wire Housings](#) category:*

*Click to view products by [TE Connectivity](#) manufacturer:*

Other Similar products are found below :

[892-18-020-10-001101](#) [58102-G61-06LF](#) [582553-1](#) [0009485154](#) [009176003701906](#) [0050291907](#) [LY20-4P-DT1-P1E-BR](#) [02.125.8002.8](#)  
[609-3404](#) [61062-3](#) [61082-181009](#) [622-3653LF](#) [63453-116](#) [636-1030](#) [636-1427](#) [636-3427](#) [636-4007](#) [641938-9](#) [641991-4](#) [644827-2](#) [65817-](#)  
[010LF](#) [65817-015LF](#) [65863-015LF](#) [66207-023LF](#) [67095-007LF](#) [67601157](#) [68645-018](#) [68648-049](#) [70.362.1628.0](#) [70-4210](#) [70-4226B](#) [70-](#)  
[4853B](#) [707-5020](#) [707-5028](#) [71.350.2428.0](#) [71918-208LF](#) [71961-016LF](#) [733-134](#) [733-162](#) [754199-000](#) [760-3052](#) [787-8014-00](#) [79531-3000](#)  
[FCN-360C032-B](#) [FCN-367T-T012/H](#) [FCN-723D010/2](#) [80.063.4001.1](#) [800-90-001-10-001000](#) [800-90-010-10-002000](#) [801-43-002-10-013000](#)