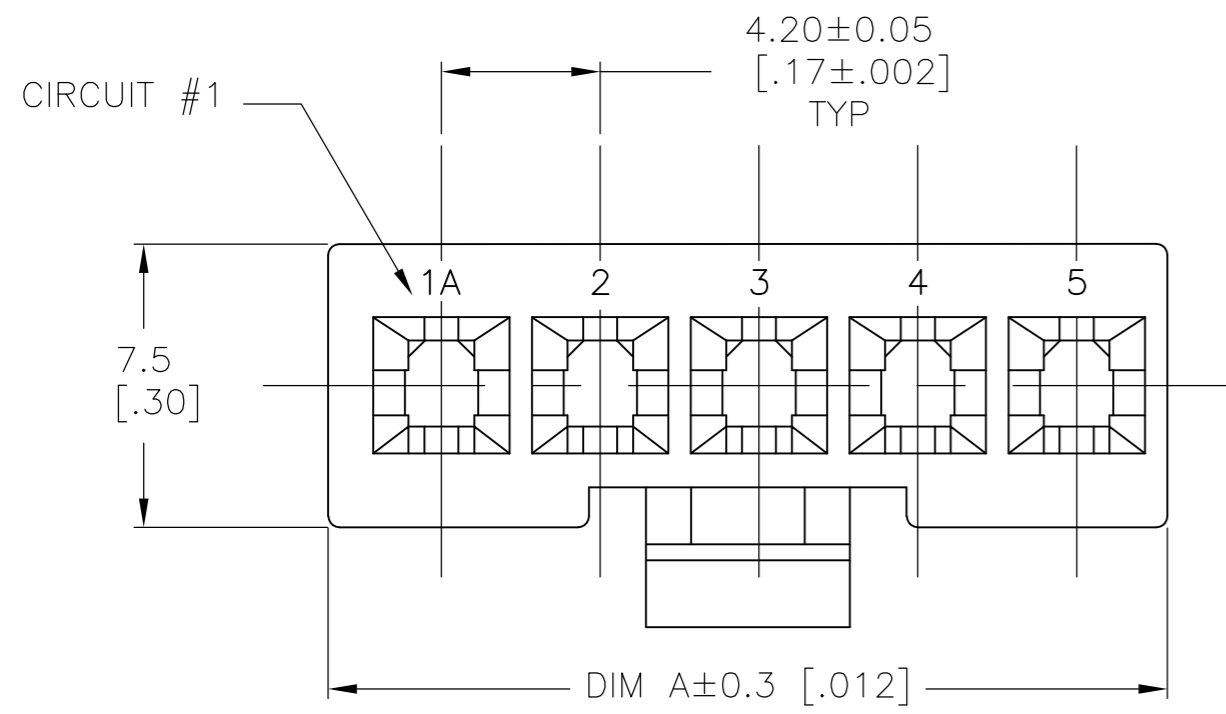
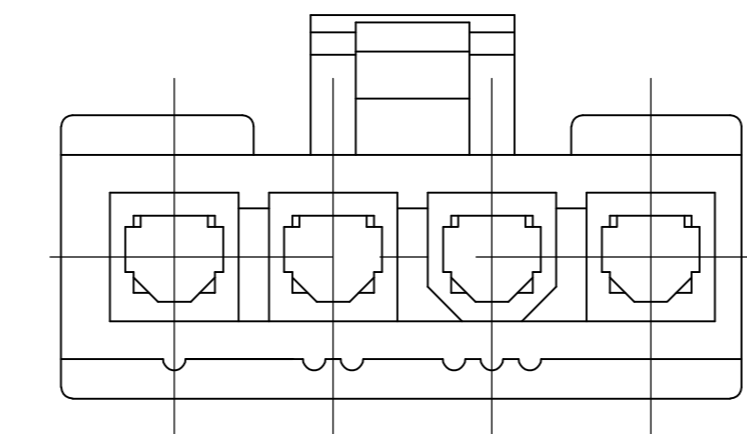
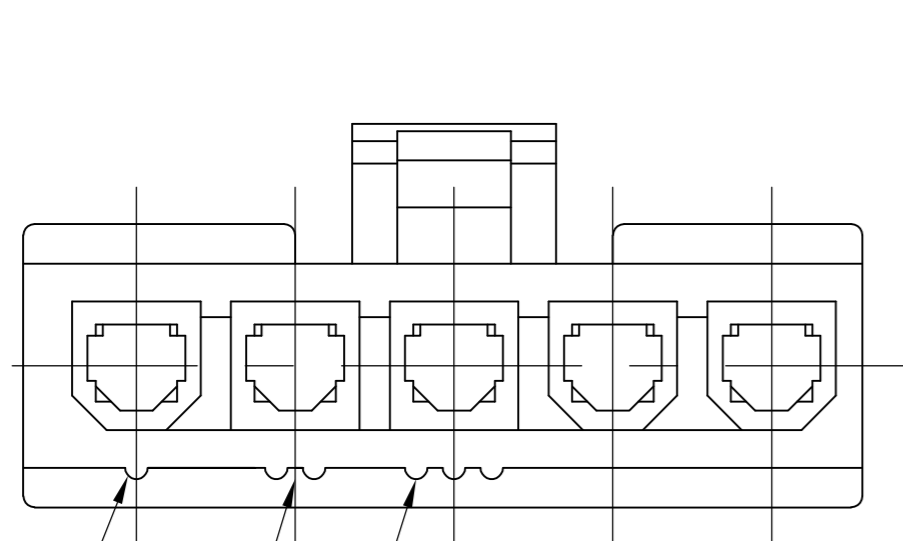
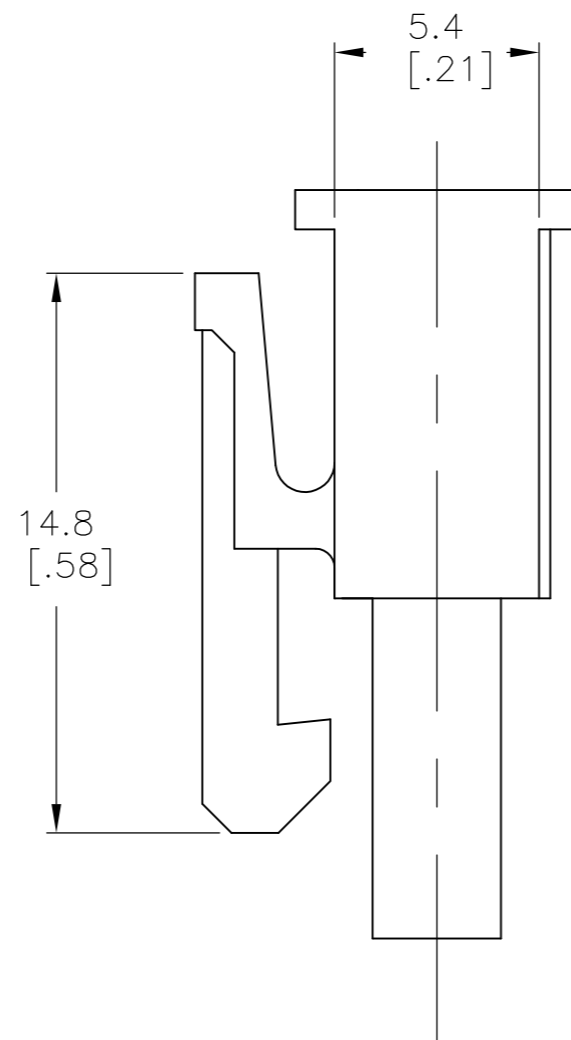
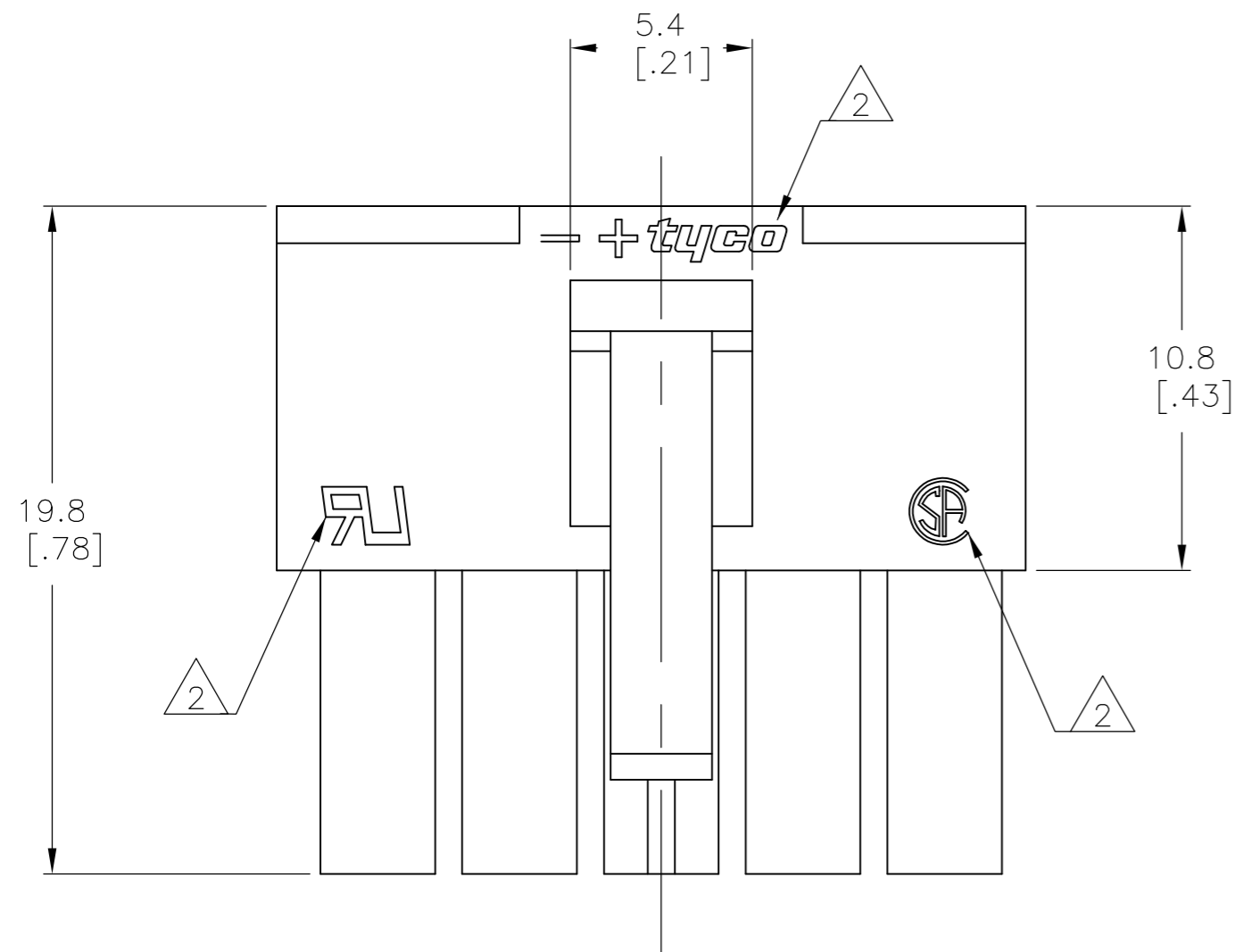


THIS DRAWING IS UNPUBLISHED. RELEASED FOR PUBLICATION
 © COPYRIGHT BY TYCO ELECTRONICS CORPORATION. ALL INTERNATIONAL RIGHTS RESERVED.

LOC		DIST		REVISIONS			
P	LTR	DESCRIPTION		DATE	DWN	APVD	
CM	00	E		REVISED PER ECO-08-031188	06JAN09	HMR	CC



- 1 MATERIAL : NYLON 66 UL94V-0
- 2 TE LOGO, UL LOGO, AND CSA LOGO-SIZE, LOCATION, AND ORIENTATION OPTIONAL.



4 POSITION MATING FACE
(FOR POLARIZATION IDENTIFICATION)

SUPERCEDED BY 2029208-4	BLACK	18.0 [.71]	4	1-1586027-9
	WHITE	22.2 [.87]	5	1586027-5
	WHITE	18.0 [.71]	4	1586027-4
	COLOR	DIM A	POS	PART NUMBER

THIS DRAWING IS A CONTROLLED DOCUMENT.		DWN	K.WHITAKER	09DEC03	Tyco Electronics Corporation Harrisburg, PA 17105-3608
DIMENSIONS:		CHK	D. COLEY	09DEC03	
mm [INCHES]		APVD	D. COLEY	09DEC03	
TOLERANCES UNLESS OTHERWISE SPECIFIED:		PRODUCT SPEC			
0 PLC	± -	APPLICATION SPEC			NAME
1 PLC	± 0.2 [.01]	WEIGHT			RECEPTACLE, SINGLE ROW, VAL-U-LOK(TM)
2 PLC	± -	CUSTOMER DRAWING			SIZE
3 PLC	± -	SCALE	5:1		CAGE CODE
4 PLC	± -	SHEET	1 of 1		DRAWING NO
ANGLES	± -	REV	E		RESTRICTED TO
FINISH	-				SCALE
MATERIAL	1				SHEET
					1 of 1
					REV
					E

METRIC

X-ON Electronics

Largest Supplier of Electrical and Electronic Components

Click to view similar products for [Headers & Wire Housings](#) category:

Click to view products by [TE Connectivity](#) manufacturer:

Other Similar products are found below :

[892-18-020-10-001101](#) [58102-G61-06LF](#) [582553-1](#) [0009485154](#) [009176003701906](#) [0050291907](#) [LY20-4P-DT1-P1E-BR](#) [02.125.8002.8](#)
[609-3404](#) [61062-3](#) [61082-181009](#) [622-3653LF](#) [63453-116](#) [636-1030](#) [636-1427](#) [636-3427](#) [636-4007](#) [641938-9](#) [641991-4](#) [644827-2](#) [65817-010LF](#) [65817-015LF](#) [65863-015LF](#) [66207-023LF](#) [67095-007LF](#) [67601157](#) [68645-018](#) [68648-049](#) [70.362.1628.0](#) [70-4210](#) [70-4226B](#) [70-4853B](#) [707-5020](#) [707-5028](#) [71.350.2428.0](#) [71918-208LF](#) [71961-016LF](#) [733-134](#) [733-162](#) [754199-000](#) [760-3052](#) [787-8014-00](#) [79531-3000](#)
[FCN-360C032-B](#) [FCN-367T-T012/H](#) [FCN-723D010/2](#) [80.063.4001.1](#) [800-90-001-10-001000](#) [800-90-010-10-002000](#) [801-43-002-10-013000](#)