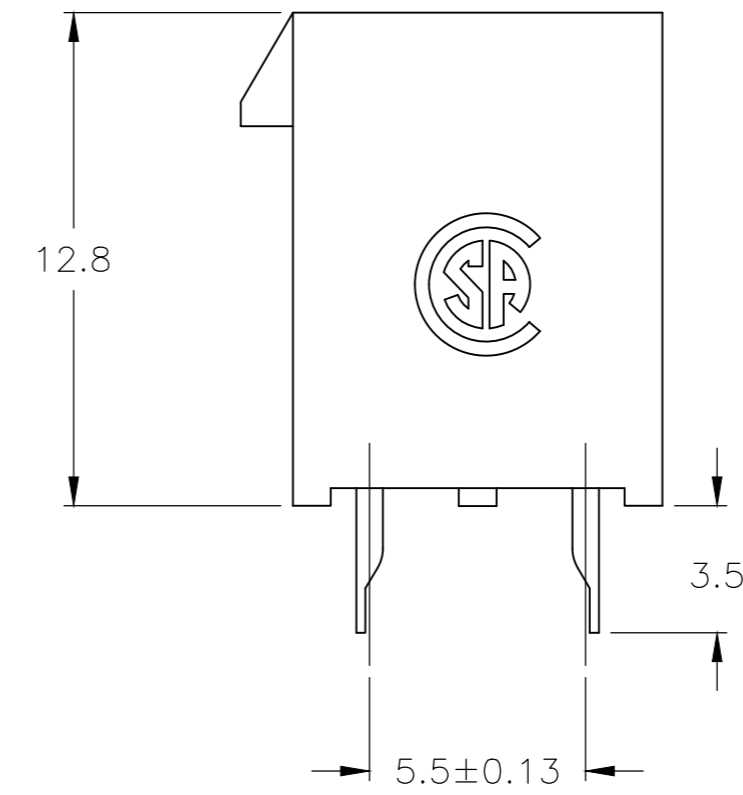
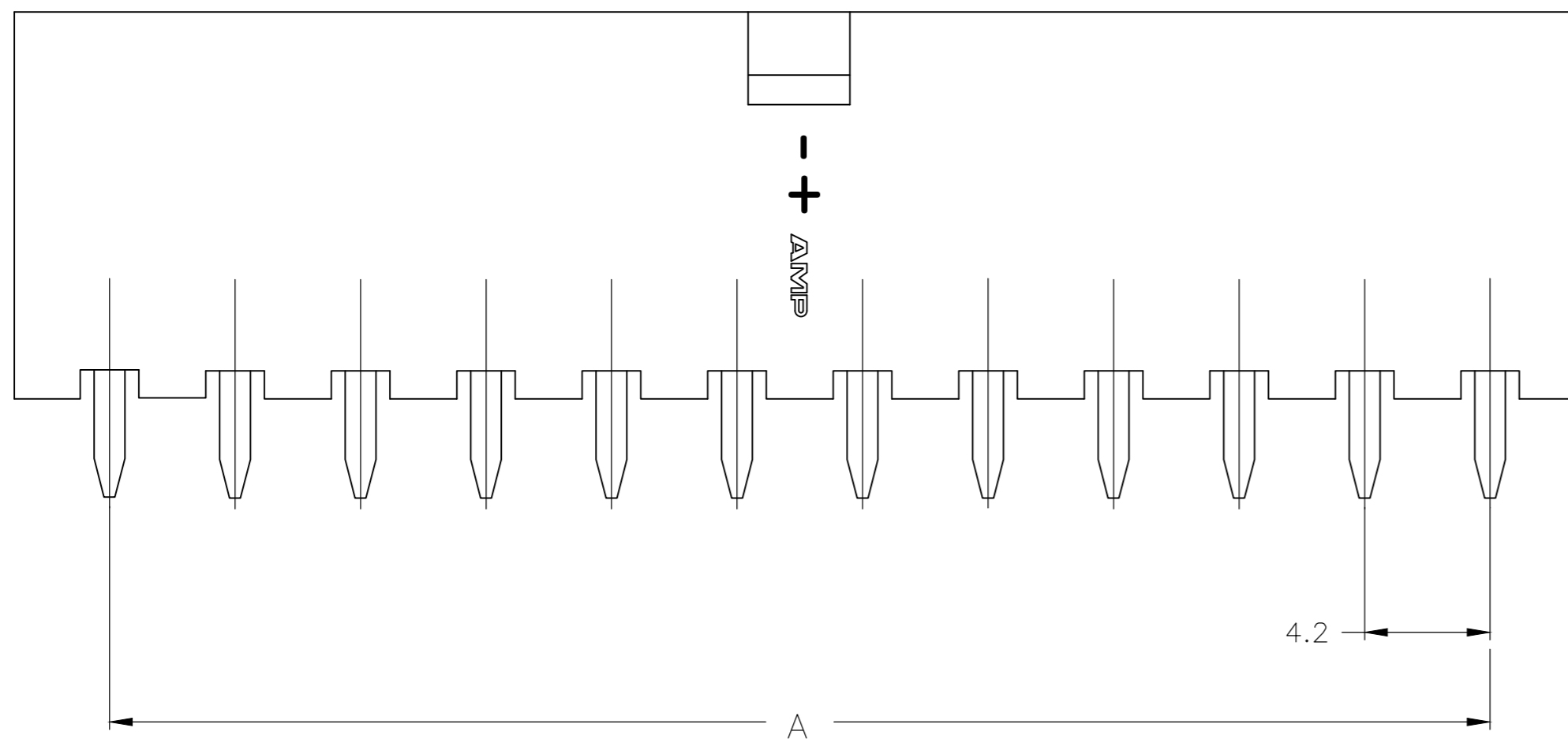
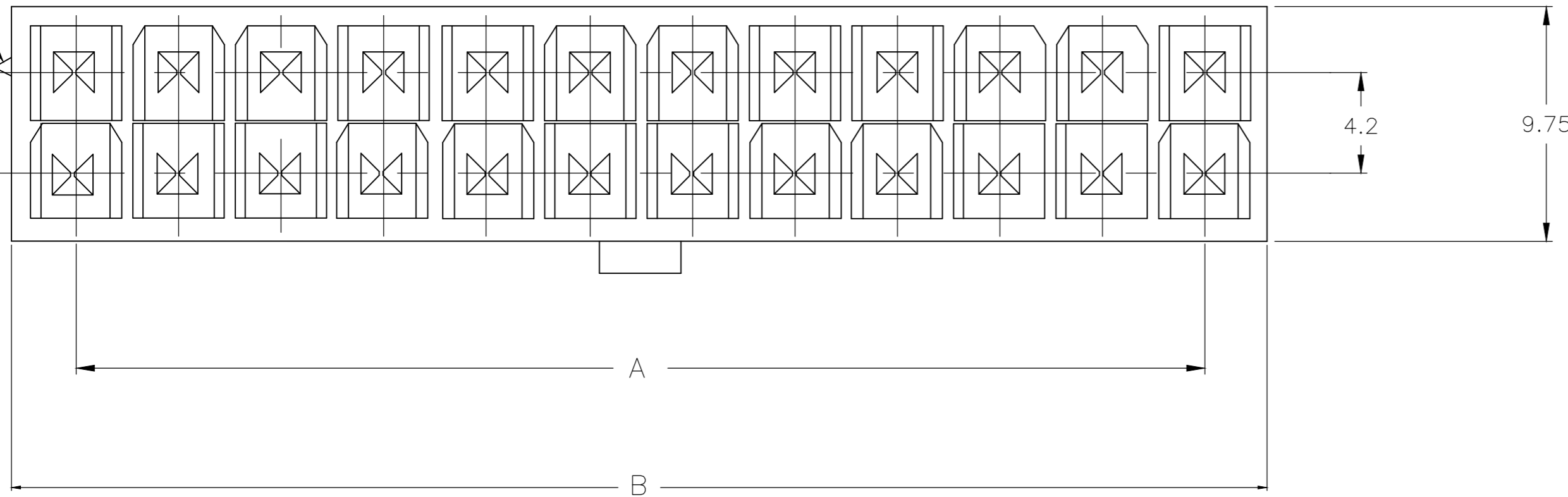


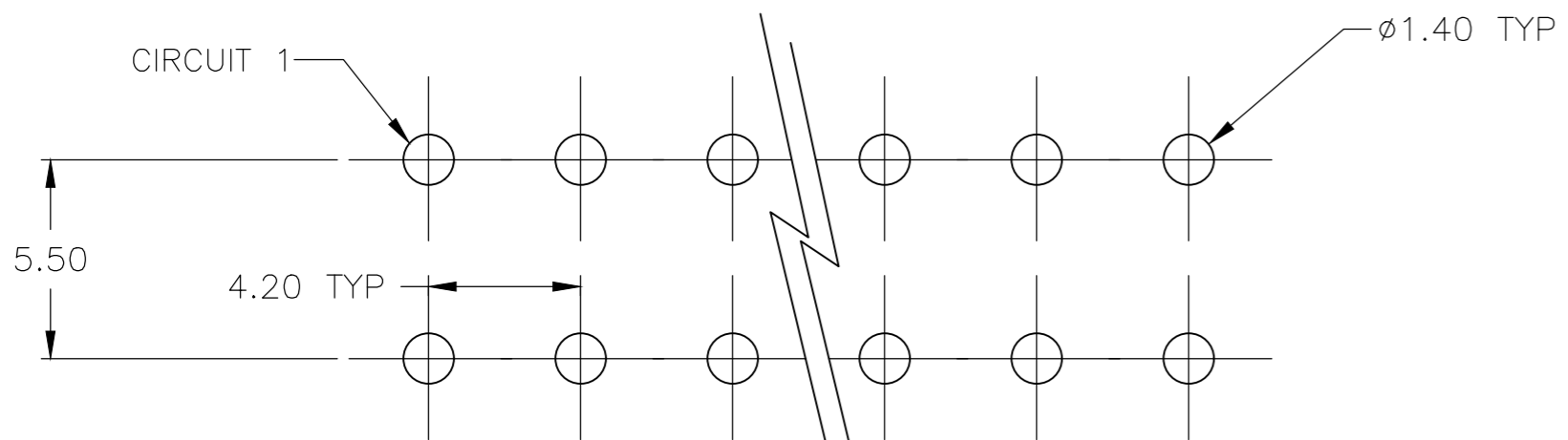
| REVISIONS | | | | | |
|-----------|-----|---------------------------|-----------|-----|------|
| P | LTR | DESCRIPTION | DATE | DWN | APVD |
| C6 | | REVISED PER ECR-19-013240 | 06MAY2020 | WH | DZ |

POSITION 1 IDENTIFICATION FEATURE

- 1 MATERIAL: HOUSING-NYLON, UL94V-0 (COLOR-NATURAL, COLOR OF PARTS MAY VARY) CONTACTS-0.25 [.010] THICK BRASS ALLOY.
- 2 CONTACT FINISH: 0.002032 [.000080] MIN BRIGHT TIN OVER 0.000762 [.000030] MIN NICKEL OVER ENTIRE CONTACT.
- 3 MATES WITH VAL-U-LOK(TM) RECEPTACLE HOUSINGS.



| | | | |
|-----|-----------|--------|-------------|
| 24 | 46.2±0.25 | 51.6 | 2-1586038-4 |
| 22 | 42.0±0.25 | 47.4 | 2-1586038-2 |
| 20 | 37.8±0.25 | 43.2 | 2-1586038-0 |
| 18 | 33.6±0.25 | 39.0 | 1-1586038-8 |
| 16 | 29.4±0.25 | 34.8 | 1-1586038-6 |
| 14 | 25.2±0.25 | 30.6 | 1-1586038-4 |
| 12 | 21.0±0.25 | 26.4 | 1-1586038-2 |
| 10 | 16.8±0.13 | 22.2 | 1-1586038-0 |
| 8 | 12.6±0.13 | 18.0 | 1586038-8 |
| 6 | 8.4±0.13 | 13.8 | 1586038-6 |
| 4 | 4.2±0.13 | 9.6 | 1586038-4 |
| 2 | | 5.4 | 1586038-2 |
| POS | A | B±0.25 | PART NUMBER |



PCB LAYOUT: COMPONENT SIDE
RECOMMENDED BOARD THICKNESS 1.60

2-1586038-4 SHOWN

| | | | | |
|--|--|----------------------------|--------------------------------|-----------------|
| THIS DRAWING IS A CONTROLLED DOCUMENT. | | DWN S. HOOVER 18-SEP-2002 | TE Connectivity | |
| DIMENSIONS: mm [INCHES] | | CHK D. COLEY 18-SEP-2002 | | |
| TOLERANCES UNLESS OTHERWISE SPECIFIED: | | APVD D. COLEY 18-SEP-2002 | NAME | |
| 0 PLC ± | | PRODUCT SPEC 108-2112 | WITH DRAIN HOLES VAL-U-LOK(TM) | |
| 1 PLC ± 0.5 | | APPLICATION SPEC 114-13172 | SIZE A2 | CAGE CODE 00779 |
| 2 PLC ± 0.25 | | MATERIAL 1 | DRAWING NO C=1586038 | RESTRICTED TO |
| 3 PLC ± | | FINISH 2 | SCALE N/A | SHEET 1 of 1 |
| 4 PLC ± | | | REV C6 | |
| ANGLES ± | | | | |

X-ON Electronics

Largest Supplier of Electrical and Electronic Components

Click to view similar products for [Headers & Wire Housings](#) category:

Click to view products by [TE Connectivity](#) manufacturer:

Other Similar products are found below :

[892-18-020-10-001101](#) [58102-G61-06LF](#) [582553-1](#) [0009485154](#) [009176003701906](#) [0050291907](#) [LY20-4P-DT1-P1E-BR](#) [02.125.8002.8](#)
[609-3404](#) [61062-3](#) [61082-181009](#) [622-3653LF](#) [63453-116](#) [636-1030](#) [636-1427](#) [636-3427](#) [636-4007](#) [641938-9](#) [641991-4](#) [644827-2](#) [65817-](#)
[010LF](#) [65817-015LF](#) [65863-015LF](#) [66207-023LF](#) [67095-007LF](#) [67601157](#) [68645-018](#) [68648-049](#) [70.362.1628.0](#) [70-4210](#) [70-4226B](#) [70-](#)
[4853B](#) [707-5020](#) [707-5028](#) [71.350.2428.0](#) [71918-208LF](#) [71961-016LF](#) [733-134](#) [733-162](#) [754199-000](#) [760-3052](#) [787-8014-00](#) [79531-3000](#)
[FCN-360C032-B](#) [FCN-367T-T012/H](#) [FCN-723D010/2](#) [80.063.4001.1](#) [800-90-001-10-001000](#) [800-90-010-10-002000](#) [801-43-002-10-013000](#)