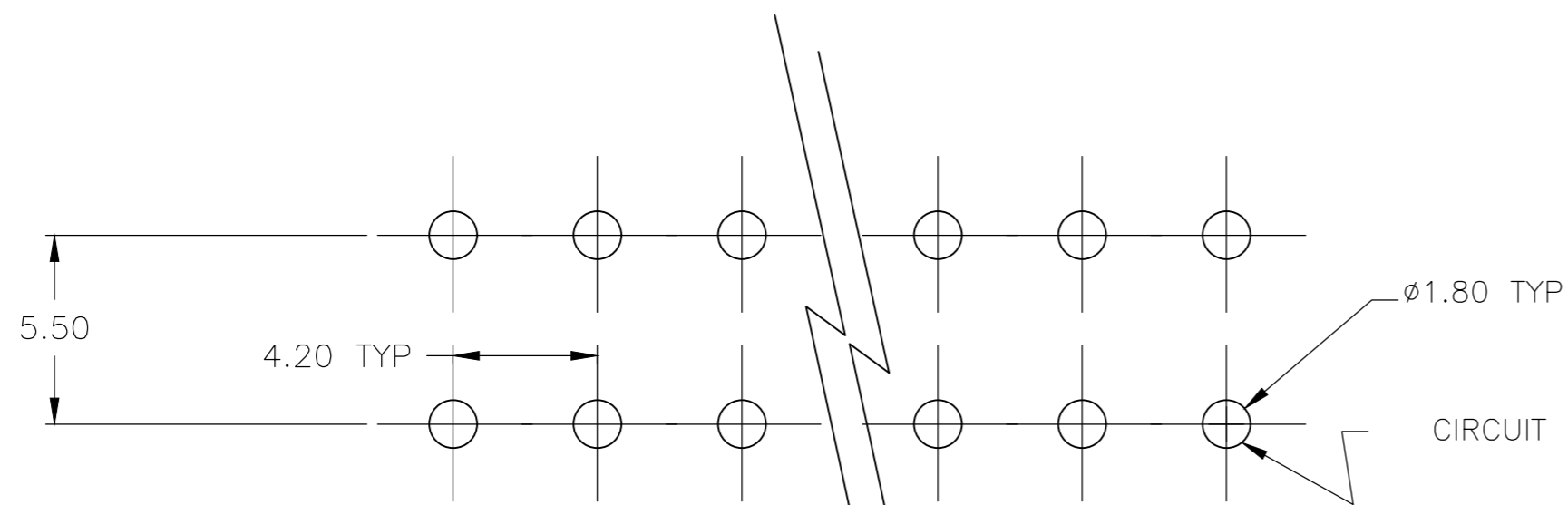
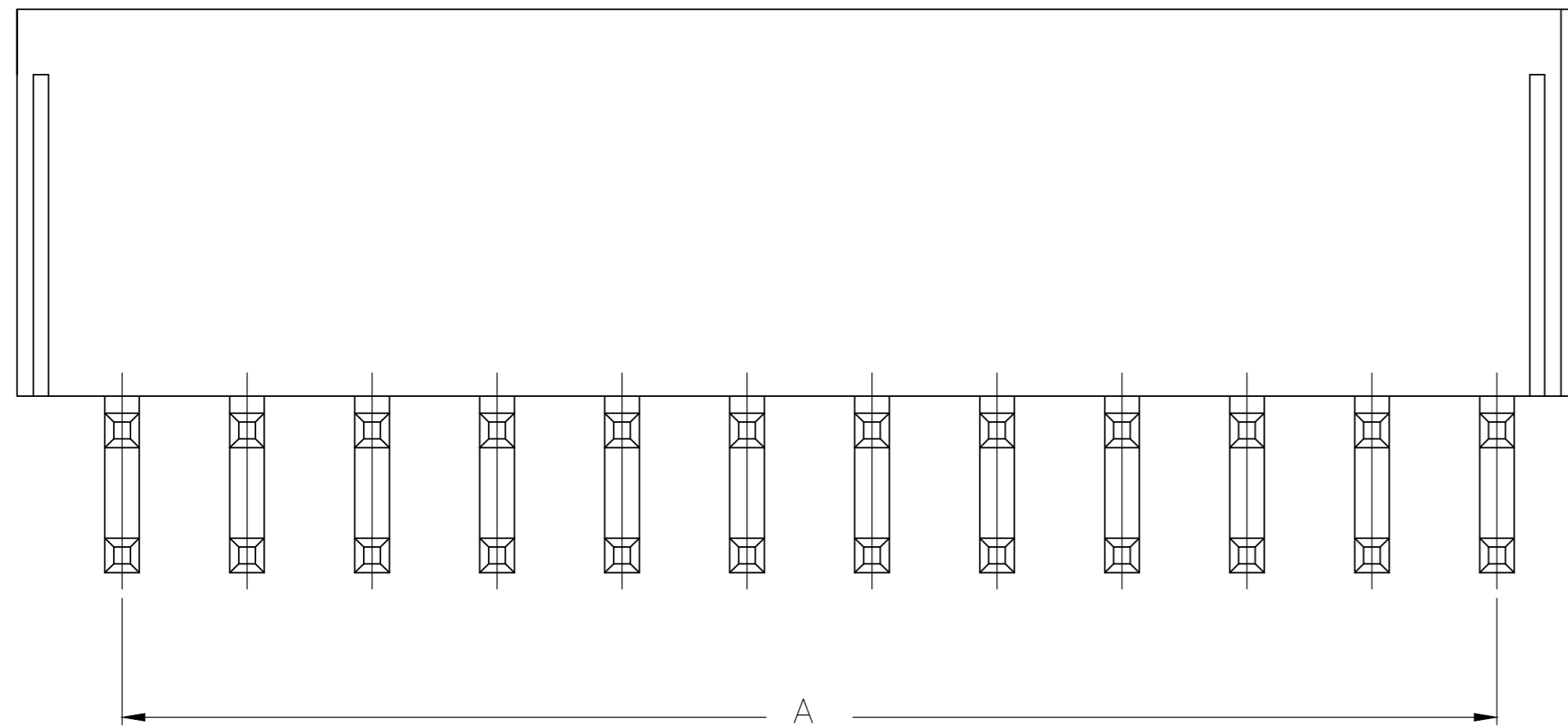
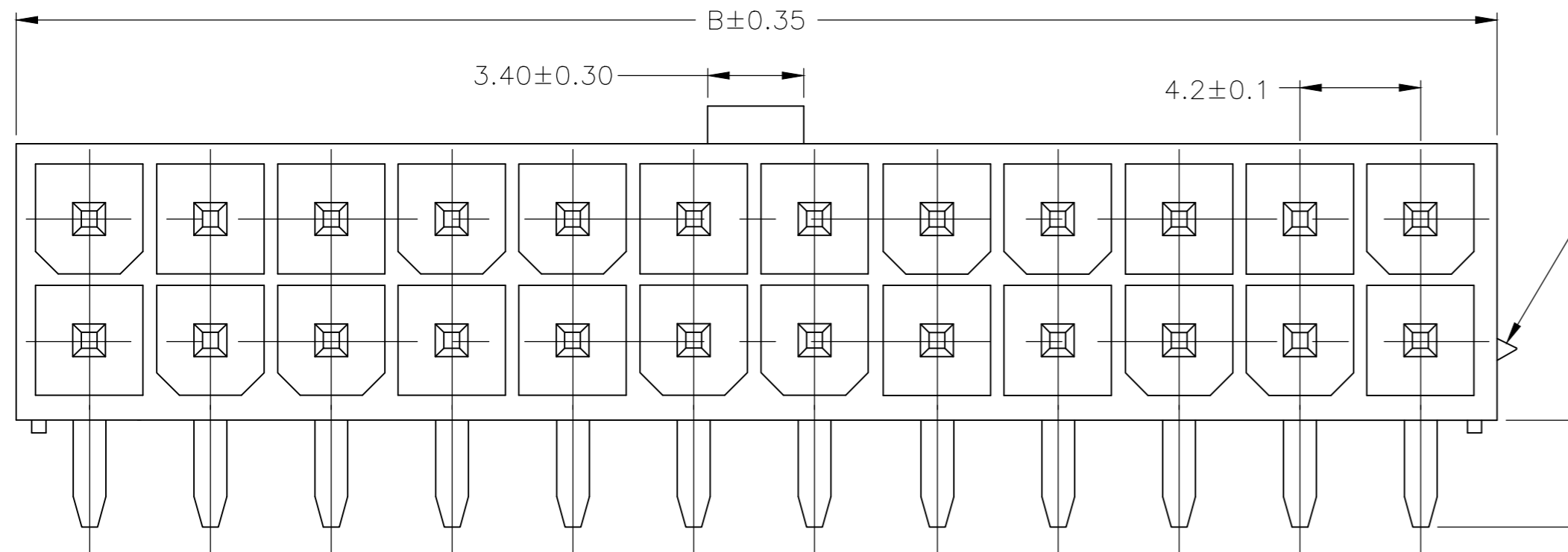
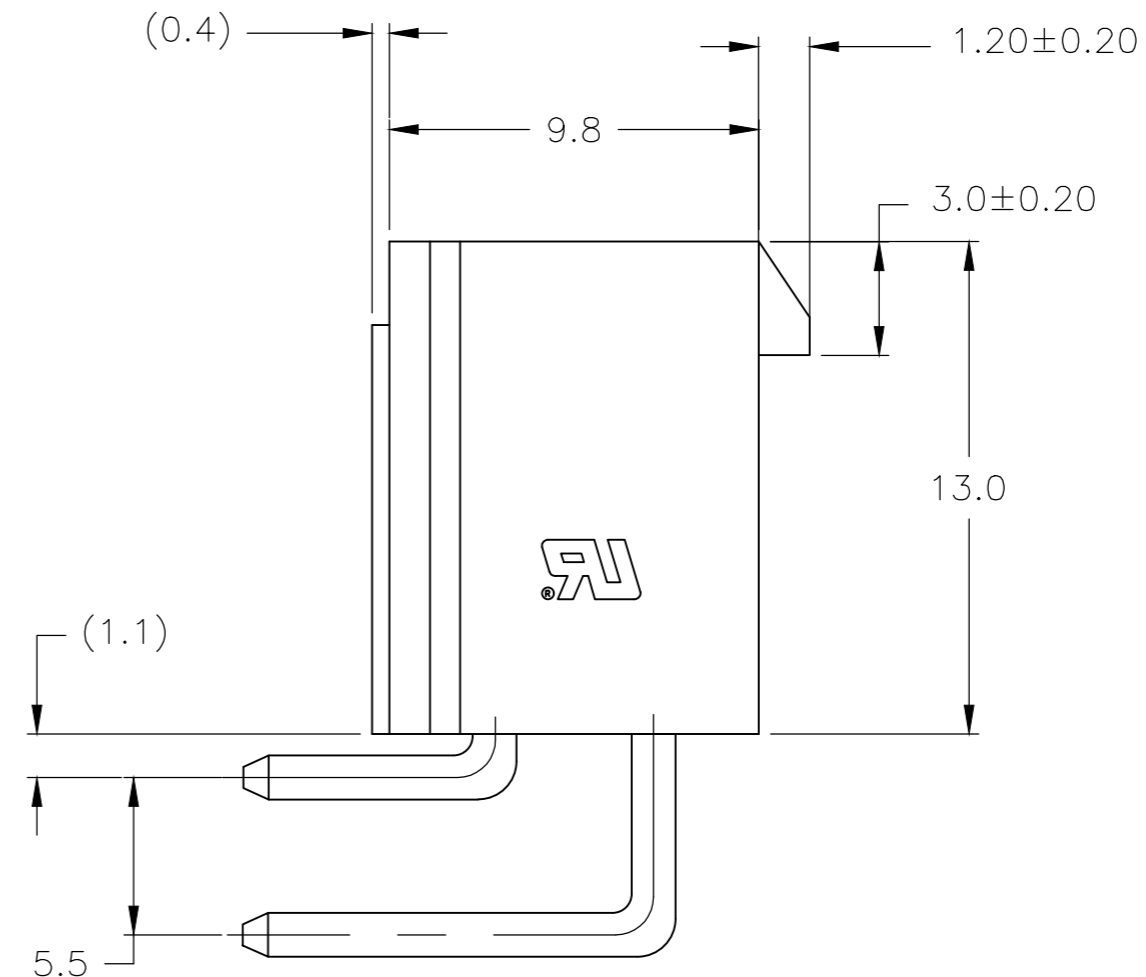


REVISIONS					
P	LTR	DESCRIPTION	DATE	DWN	APVD
B7		REVISED PER ECR-19-013240	06MAY2020	WH	DZ



PCB LAYOUT: COMPONENT SIDE
RECOMMENDED BOARD THICKNESS 1.60

- 1 MATERIAL: HOUSING-NYLON, UL94V-0 (COLOR SEE TABLE, COLOR OF PARTS MAY VARY) CONTACTS-0.25 [.010] THICK BRASS ALLOY.
- 2 CONTACT FINISH: 0.002032 [.000080] MIN BRIGHT TIN OVER 0.000762 [.000030] MIN NICKEL OVER ENTIRE CONTACT.
- 3 MATES WITH VAL-U-LOK(TM) RECEPTACLE HOUSINGS.
- 4 PRELIMINARY-NOT FOR PRODUCTION.



4	COLOR	POS	A	B±0.35	PART NUMBER
	BLACK	6	8.4±0.1	13.8	3-1586042-6
	NATURAL	2		5.4	1586042-2
	NATURAL	4	4.2±0.1	9.6	1586042-4
	NATURAL	6	8.4±0.1	13.8	1586042-6
	NATURAL	8	12.6±0.1	18.0	1586042-8
	NATURAL	10	16.8±0.1	22.2	1-1586042-0
	NATURAL	12	21.0±0.2	26.4	1-1586042-2
	NATURAL	14	25.2±0.2	30.6	1-1586042-4
	NATURAL	16	29.4±0.2	34.8	1-1586042-6
	NATURAL	18	33.6±0.2	39.0	1-1586042-8
	NATURAL	20	37.8±0.2	43.2	2-1586042-0
	NATURAL	22	42.0±0.2	47.4	2-1586042-2
	NATURAL	24	46.2±0.2	51.6	2-1586042-4
	COLOR	POS	A	B±0.35	PART NUMBER

2-1586042-4 SHOWN

THIS DRAWING IS A CONTROLLED DOCUMENT.		DWN S. HOOVER 18-SEP-2002		
DIMENSIONS: mm		CHK D. COLEY 18-SEP-2002		
TOLERANCES UNLESS OTHERWISE SPECIFIED:		APVD D. COLEY 18-SEP-2002	NAME	
0 PLC ± -		PRODUCT SPEC	RIGHT ANGLE HEADER, WITHOUT PEGS VAL-U-LOK(TM)	
1 PLC ± 0.5		APPLICATION SPEC	SIZE	CAGE CODE
2 PLC ± 0.5		108-2112	A2	00779
3 PLC ± -		114-13172	DRAWING NO	RESTRICTED TO
4 PLC ± -		WEIGHT	C=1586042	-
ANGLES ±		MATERIAL	SCALE	SHEET
FINISH		1	N/A	1 of 1
FINISH		2	REV	B7
CUSTOMER DRAWING				

X-ON Electronics

Largest Supplier of Electrical and Electronic Components

Click to view similar products for [Headers & Wire Housings](#) category:

Click to view products by [TE Connectivity](#) manufacturer:

Other Similar products are found below :

[892-18-020-10-001101](#) [58102-G61-06LF](#) [582553-1](#) [0009485154](#) [009176003701906](#) [0050291907](#) [LY20-4P-DT1-P1E-BR](#) [02.125.8002.8](#)
[609-3404](#) [61062-3](#) [61082-181009](#) [622-3653LF](#) [63453-116](#) [636-1030](#) [636-1427](#) [636-3427](#) [636-4007](#) [641938-9](#) [641991-4](#) [644827-2](#) [65817-010LF](#) [65817-015LF](#) [65863-015LF](#) [66207-023LF](#) [67095-007LF](#) [67601157](#) [68645-018](#) [68648-049](#) [70.362.1628.0](#) [70-4210](#) [70-4226B](#) [70-4853B](#) [707-5020](#) [707-5028](#) [71.350.2428.0](#) [71918-208LF](#) [71961-016LF](#) [733-134](#) [733-162](#) [754199-000](#) [760-3052](#) [787-8014-00](#) [79531-3000](#)
[FCN-360C032-B](#) [FCN-367T-T012/H](#) [FCN-723D010/2](#) [80.063.4001.1](#) [800-90-001-10-001000](#) [800-90-010-10-002000](#) [801-43-002-10-013000](#)