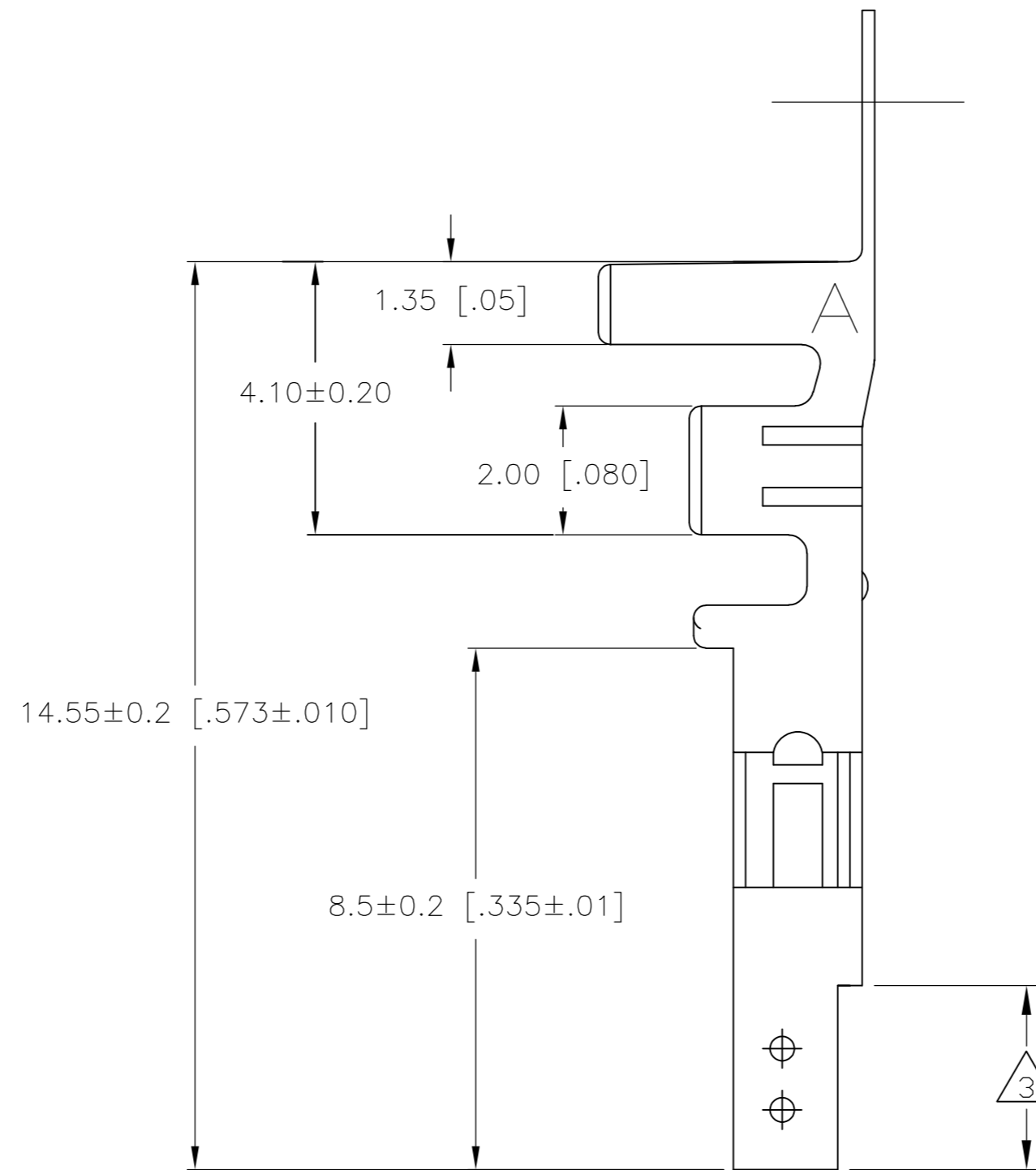
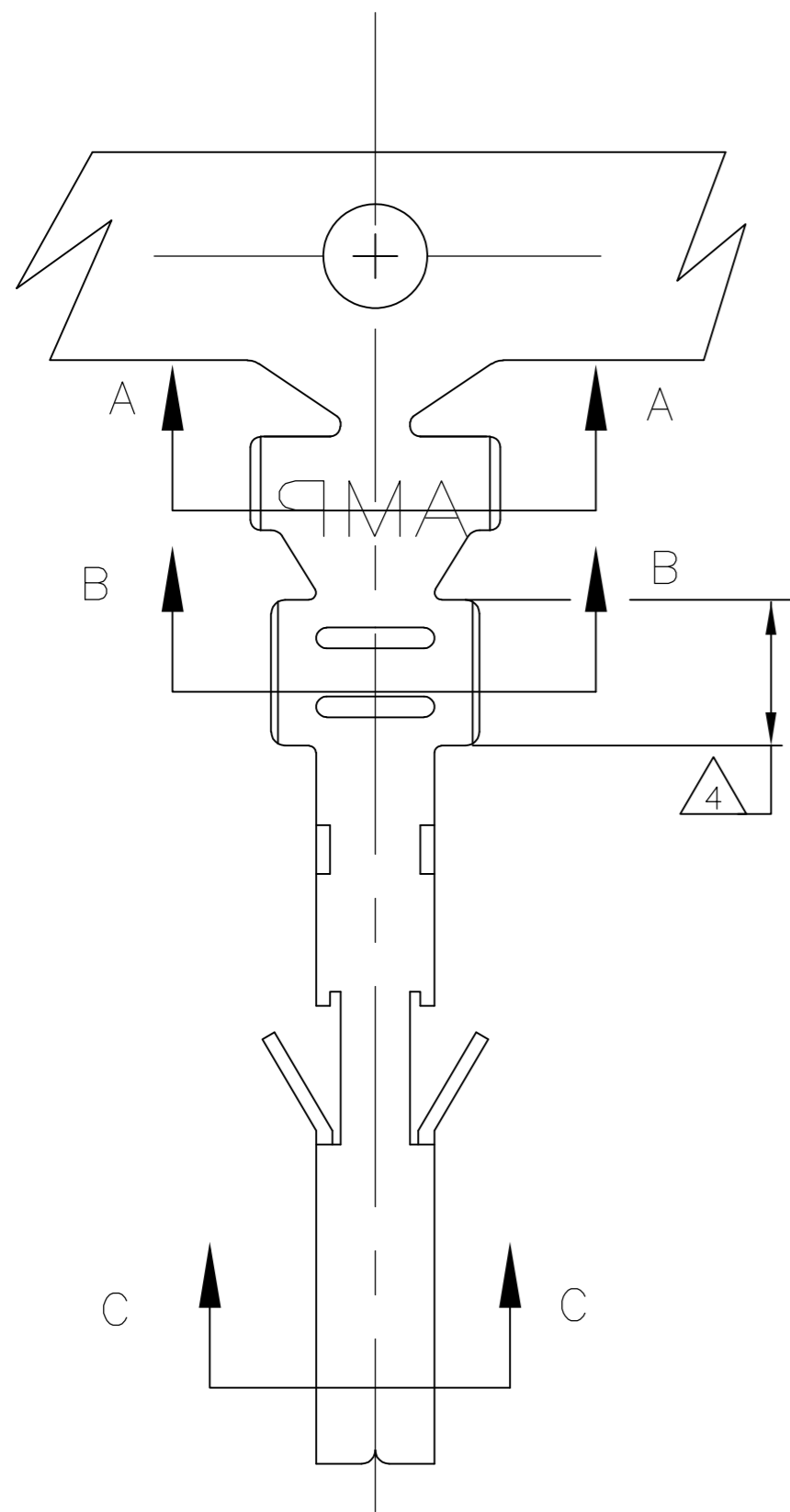
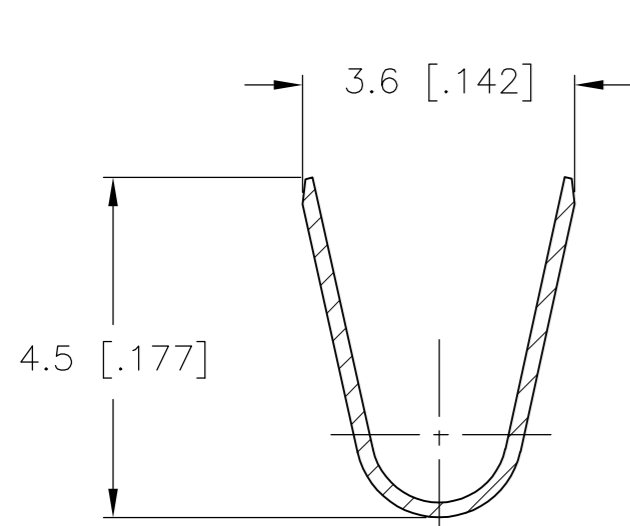


THIS DRAWING IS UNPUBLISHED. RELEASED FOR PUBLICATION
 © COPYRIGHT - By - ALL RIGHTS RESERVED.

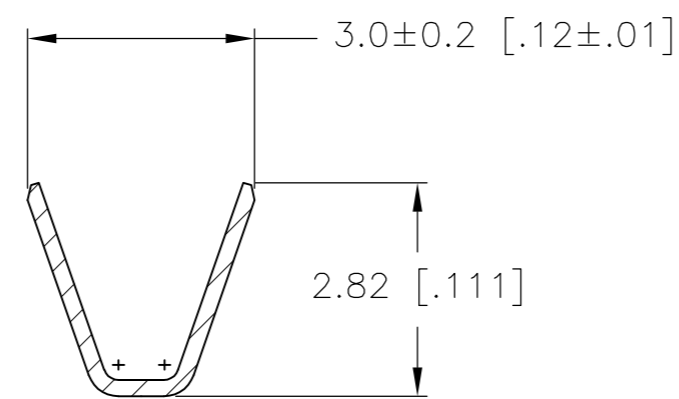
REVISIONS					
P	LTR	DESCRIPTION	DATE	DWN	APVD
C4		REVISEC PER ECR-17-006301	26JUN2017	WH	DZ



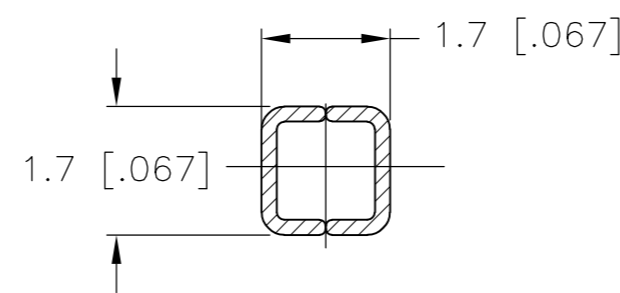
- 1 WIRE RANGE: 1.31mm² (16 AWG).
- 2 INSULATION RANGE 3.10 [.122] MAXIMUM DIAMETER
- 3 FINISH: 0.76um MINIMUM GOLD OVER 1.27um MINIMUM NICKEL REQUIRED ON INNER SURFACE, PERMITTED ON OUTER SURFACE.
- 4 FINISH: 2.54um MINIMUM TIN ON ALL SURFACES IN THIS AREA.
- 5 FINISH: 2.54um MINIMUM PRE-TIN ALL OVER.



SECTION A-A



SECTION B-B



SECTION C-C

GOLD 3 4	PHOS. BRZ.	1586055-4
PRE-TIN 5	PHOS. BRZ.	1586055-3
GOLD 3 4	BRASS	1586055-2
PRE-TIN 5	BRASS	1586055-1
FINISH	MATERIAL	PART NO.

THIS DRAWING IS A CONTROLLED DOCUMENT.		DWN S. HOOVER 15-NOV-2004	TE TE Connectivity	
DIMENSIONS: mm [INCHES]		CHK D. COLEY 15-NOV-2004		
TOLERANCES UNLESS OTHERWISE SPECIFIED:		APVD D. COLEY 15-NOV-2004	NAME	
0 PLC ±	1 PLC ± 0.15 [.006]	PRODUCT SPEC	TERMINAL, SOCKET VAL-U-LOK(TM)	
2 PLC ± 0.10 [.004]	3 PLC ± 0.05 [.002]	APPLICATION SPEC	SIZE A2	CAGE CODE 00779
4 PLC ±	ANGLES ±	WEIGHT 0.000000	DRAWING NO C=1586055	RESTRICTED TO -
MATERIAL	FINISH	CUSTOMER DRAWING	SCALE 10:1	SHEET 1 of 1
			REV C4	

X-ON Electronics

Largest Supplier of Electrical and Electronic Components

Click to view similar products for [Headers & Wire Housings](#) category:

Click to view products by [TE Connectivity](#) manufacturer:

Other Similar products are found below :

[892-18-020-10-001101](#) [58102-G61-06LF](#) [582553-1](#) [0009485154](#) [009176003701906](#) [0050291907](#) [LY20-4P-DT1-P1E-BR](#) [02.125.8002.8](#)
[609-3404](#) [61062-3](#) [61082-181009](#) [622-3653LF](#) [63453-116](#) [636-1030](#) [636-1427](#) [636-3427](#) [636-4007](#) [641938-9](#) [641991-4](#) [644827-2](#) [65817-010LF](#) [65817-015LF](#) [65863-015LF](#) [66207-023LF](#) [67095-007LF](#) [67601157](#) [68645-018](#) [68648-049](#) [70.362.1628.0](#) [70-4210](#) [70-4226B](#) [70-4853B](#) [707-5020](#) [707-5028](#) [71.350.2428.0](#) [71918-208LF](#) [71961-016LF](#) [733-134](#) [733-162](#) [754199-000](#) [760-3052](#) [787-8014-00](#) [79531-3000](#)
[FCN-360C032-B](#) [FCN-367T-T012/H](#) [FCN-723D010/2](#) [80.063.4001.1](#) [800-90-001-10-001000](#) [800-90-010-10-002000](#) [801-43-002-10-013000](#)