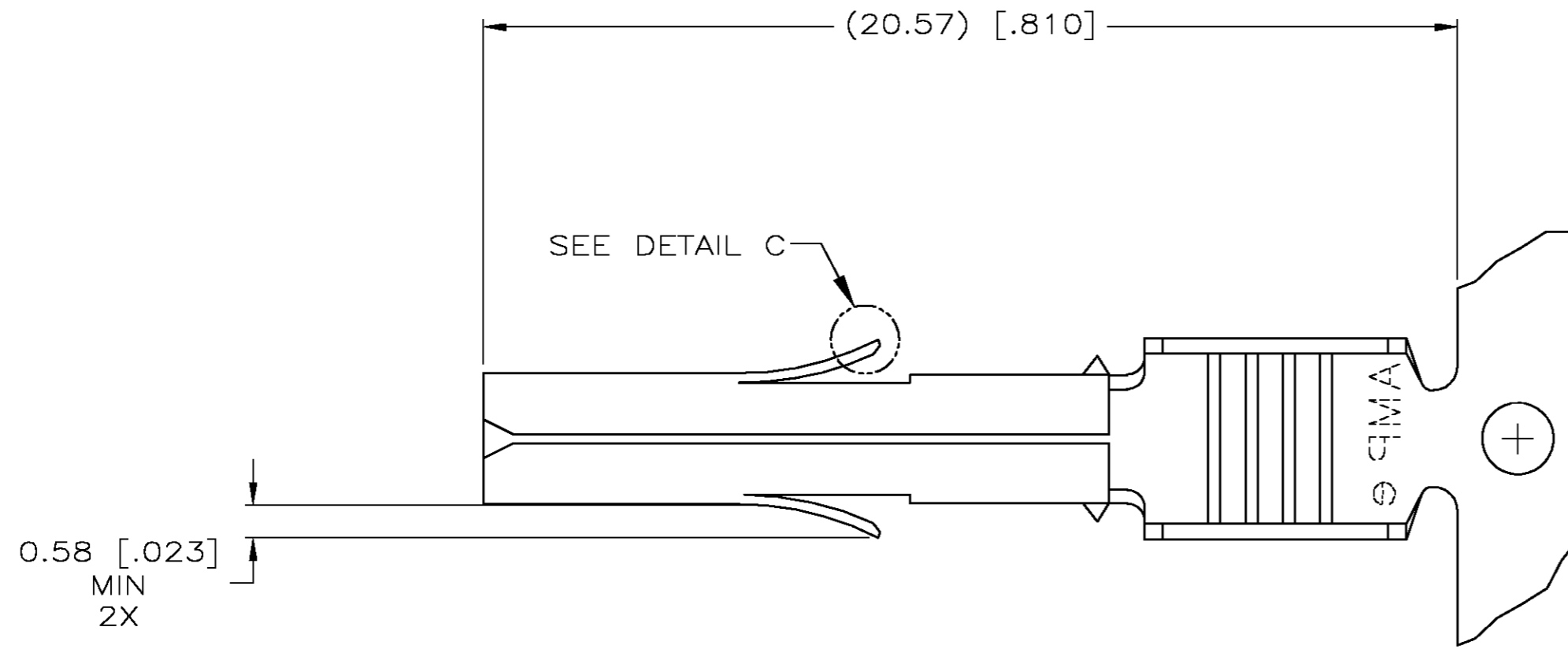
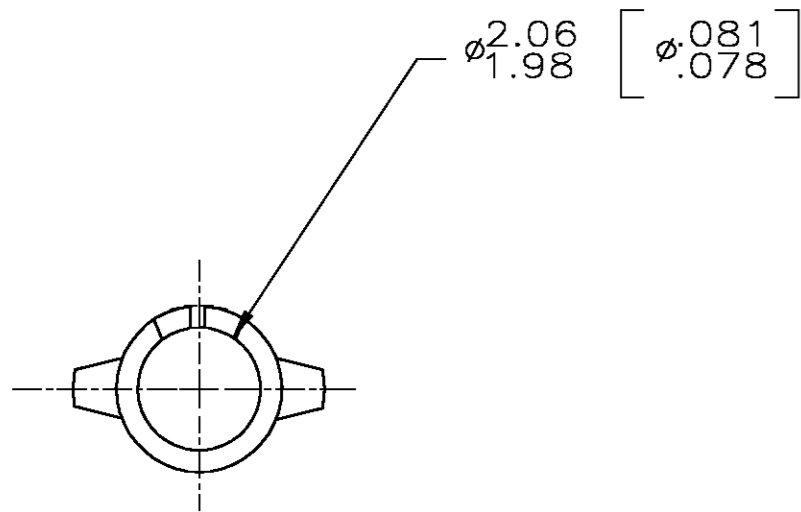
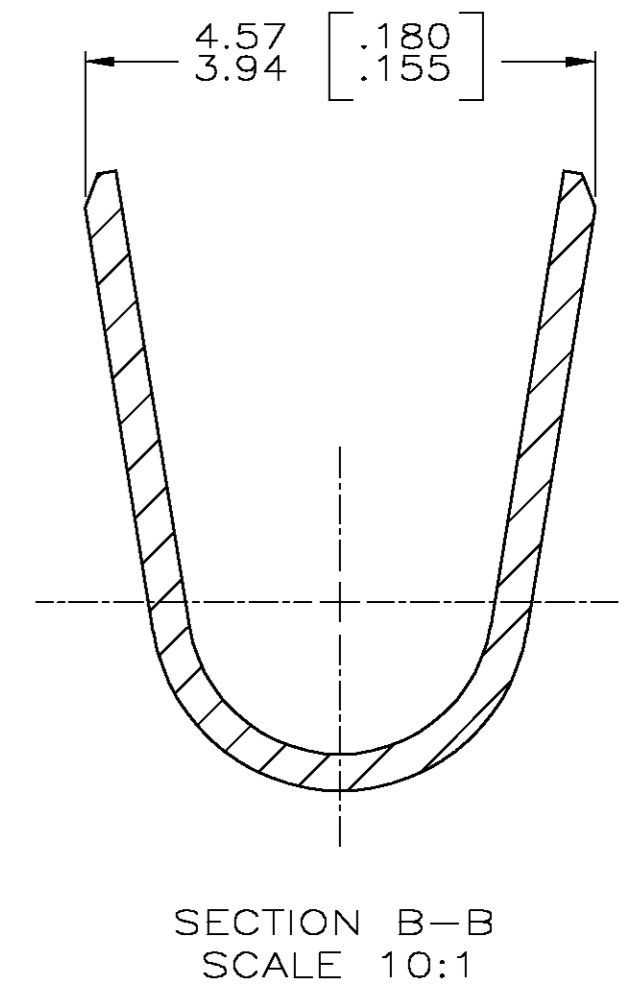
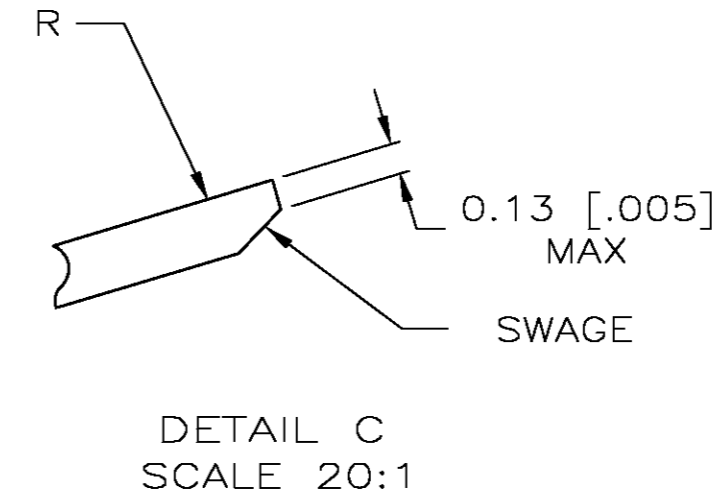
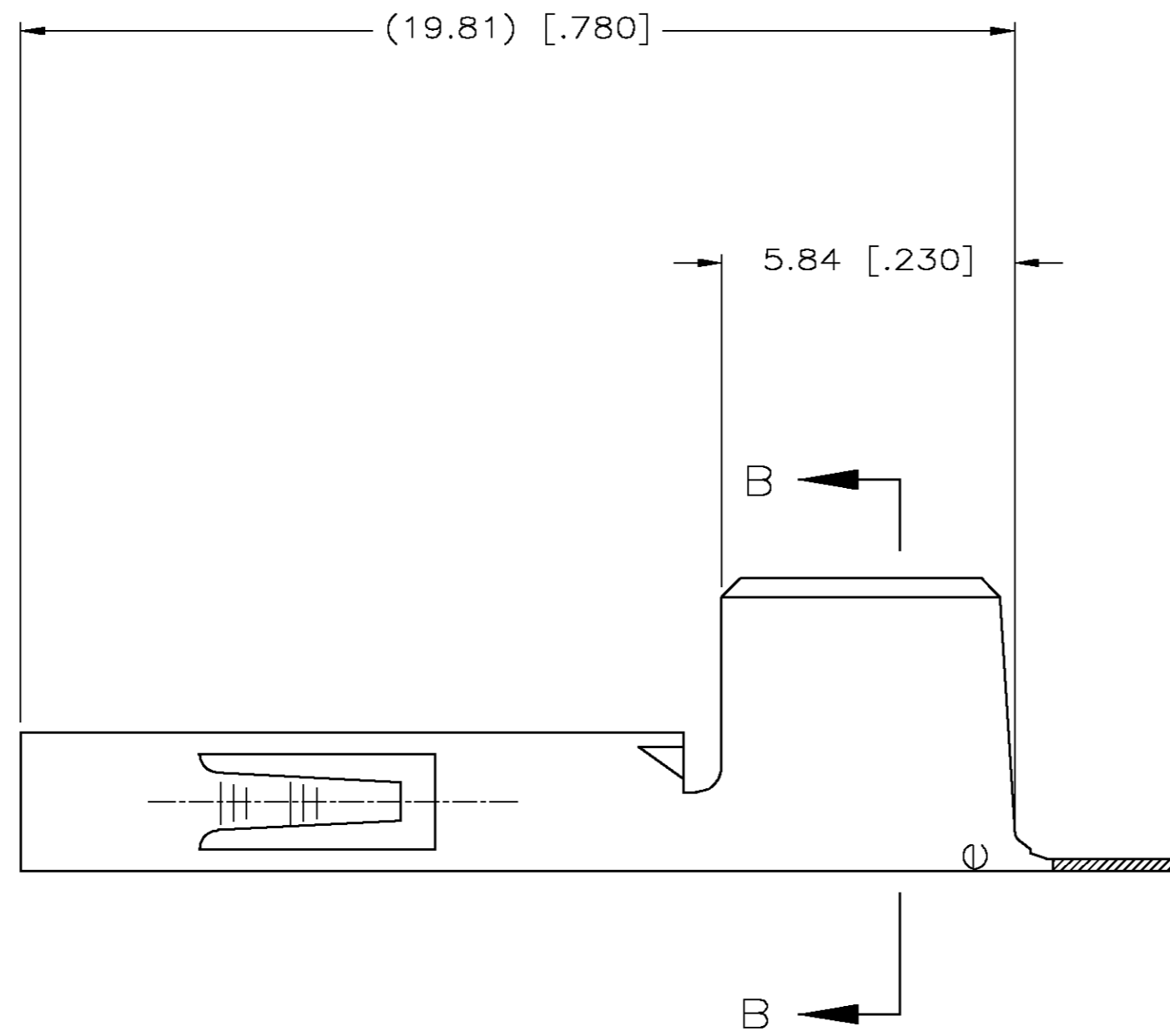


THIS DRAWING IS UNPUBLISHED. RELEASED FOR PUBLICATION
 © COPYRIGHT BY TYCO ELECTRONICS CORPORATION. ALL RIGHTS RESERVED.

LOC	DIST	REVISIONS			
P	LTR	DESCRIPTION	DATE	DWN	APVD
CM	00	B	REVISED PER EC 0G3B-0729-03	19-FEB-04	SH SR



1. DIMENSIONS IN BRACKETS ARE IN INCHES.
2. WIRE RANGE 12-10 AWG.
3. INSULATION RANGE 5.08 [.200] DIAMETER MAX, LIMITED BY THE CONNECTOR HOUSING CAVITY.



1586065-1
PART NUMBER

METRIC

THIS DRAWING IS A CONTROLLED DOCUMENT.		DWN S. HOOVER 19-FEB-2004	Tyco Electronics Corporation Harrisburg, Pa 17105-3608	
DIMENSIONS: mm [INCHES]		CHK S. RIDGILL 19-FEB-2004	NAME	
TOLERANCES UNLESS OTHERWISE SPECIFIED:		APVD S. RIDGILL 19-FEB-2004	SOCKET, ENHANCED CURRENT UNIVERSAL MATE-N-LOK™	
0 PLC ±		PRODUCT SPEC	APPLICATION SPEC	
1 PLC ±		WEIGHT	SIZE A2	CAGE CODE 00779
2 PLC ±		FINISH PRE-TIN	DRAWING NO C=1586065	
3 PLC ± 0.13 [.005]			RESTRICTED TO	
4 PLC ±		CUSTOMER DRAWING		SCALE 8:1
ANGLES ±		SHEET 1 OF 1		REV B
MATERIAL 0.30 [.012] COPPER ALLOY				

X-ON Electronics

Largest Supplier of Electrical and Electronic Components

Click to view similar products for [Pin & Socket Connectors](#) category:

Click to view products by [TE Connectivity](#) manufacturer:

Other Similar products are found below :

[6450822-1](#) [770392-1](#) [794042-1](#) [796885-1](#) [8-794535-1](#) [PLR3455ACS-222](#) [R929991004](#) [R929993003](#) [1403611-1](#) [1-480349-5](#) [152302-5](#)
[153211-2](#) [1586092-1](#) [1586129-1](#) [1586681-4](#) [1586700-1](#) [1586368-1](#) [1586380-1](#) [1586616-1](#) [1586680-5](#) [16-06-0038](#) [164164-5](#) [1-6609930-1](#)
[172296-1](#) [19-09-2035](#) [200503-1](#) [200788-2](#) [2029090-4](#) [2029095-4](#) [925061-7](#) [293734-4](#) [293737-2](#) [1-765362-4](#) [1871534-1](#) [200833-4](#)
[2008625-2](#) [2029027-2](#) [2029096-4](#) [R929991000](#) [R929991002](#) [R929993000](#) [319-10-101-00-005000](#) [319-10-102-00-001000](#) [319-10-104-00-001000](#) [319-10-105-00-001000](#) [319-10-108-00-001000](#) [319-10-112-00-006000](#) [39-01-8019](#) [319-10-101-00-001000](#) [319-10-102-00-005000](#)