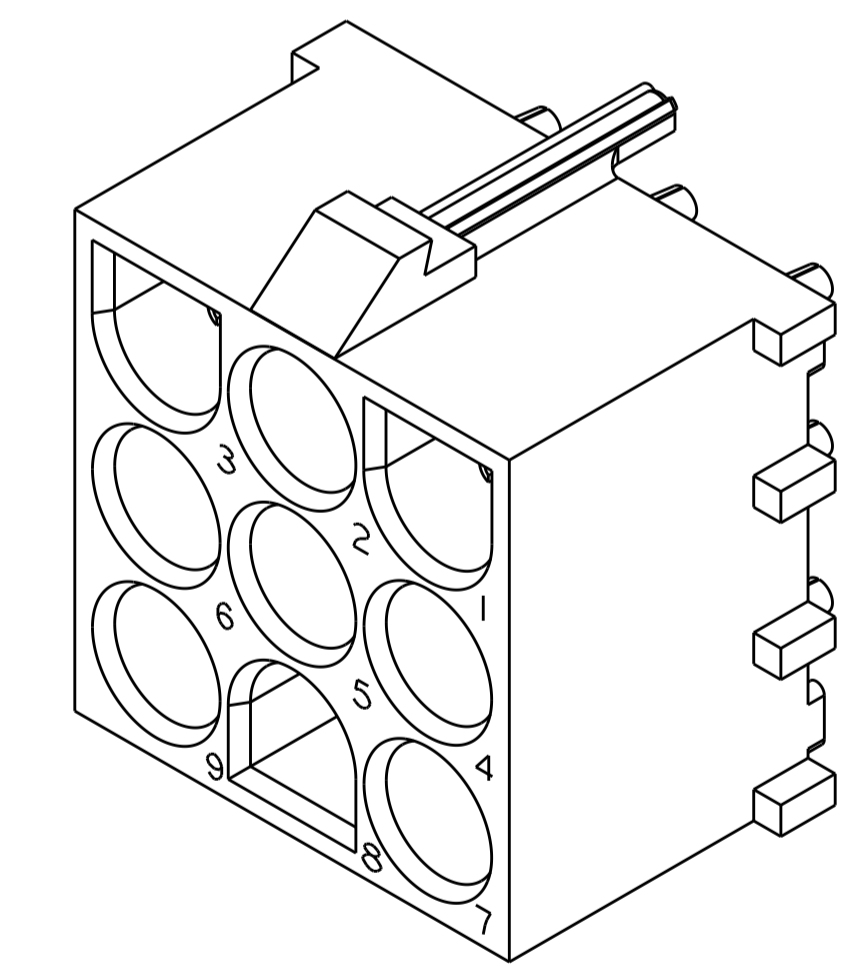
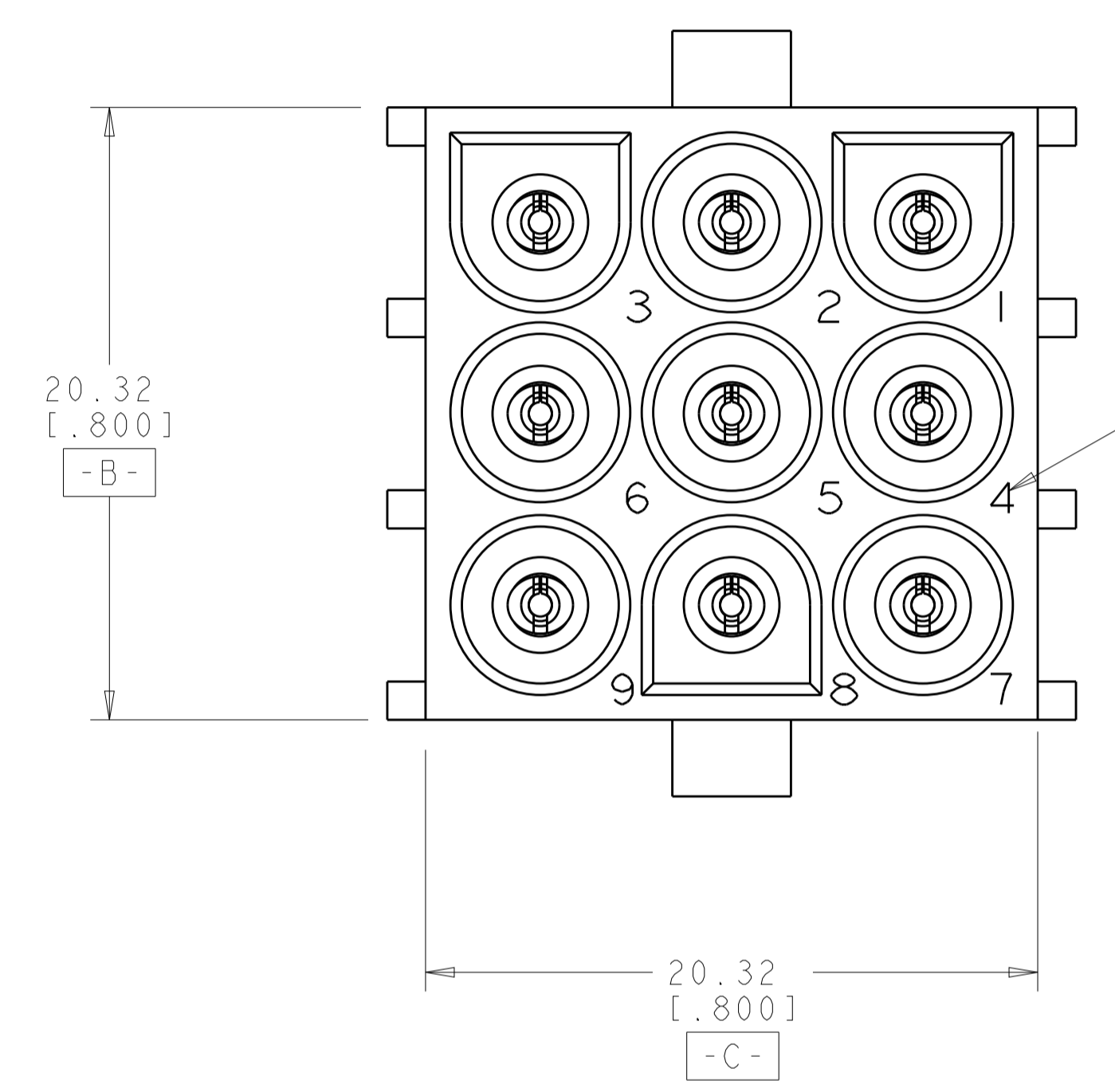
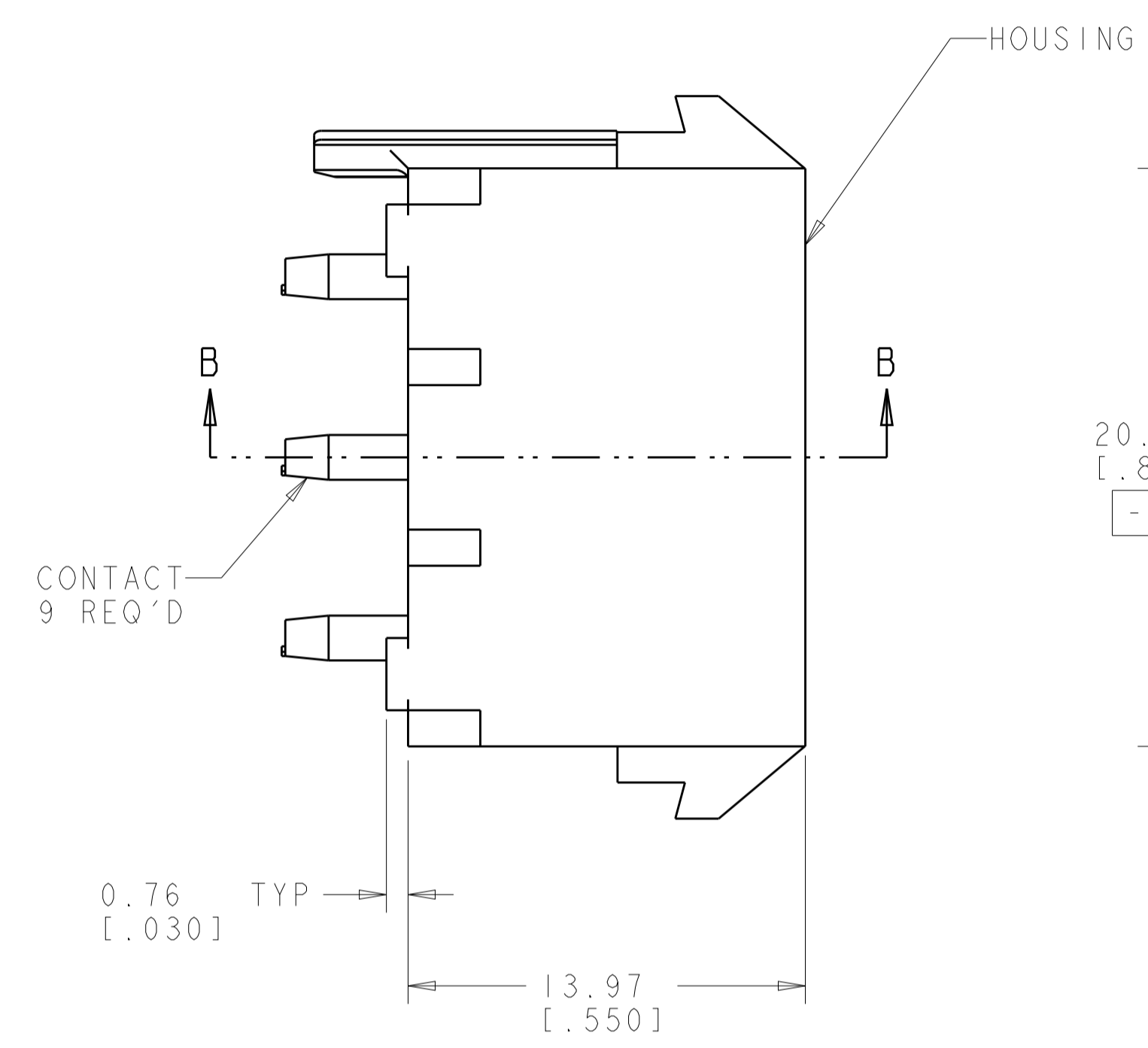
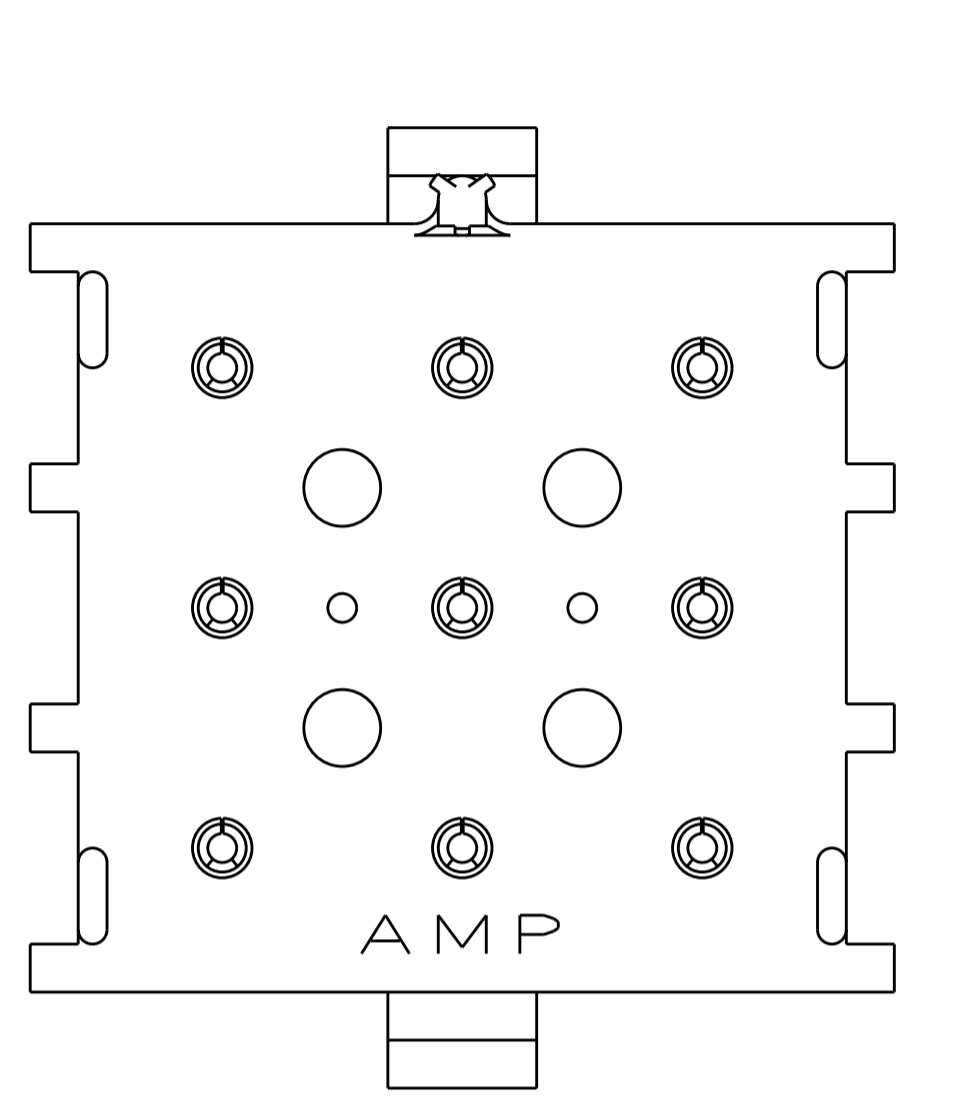
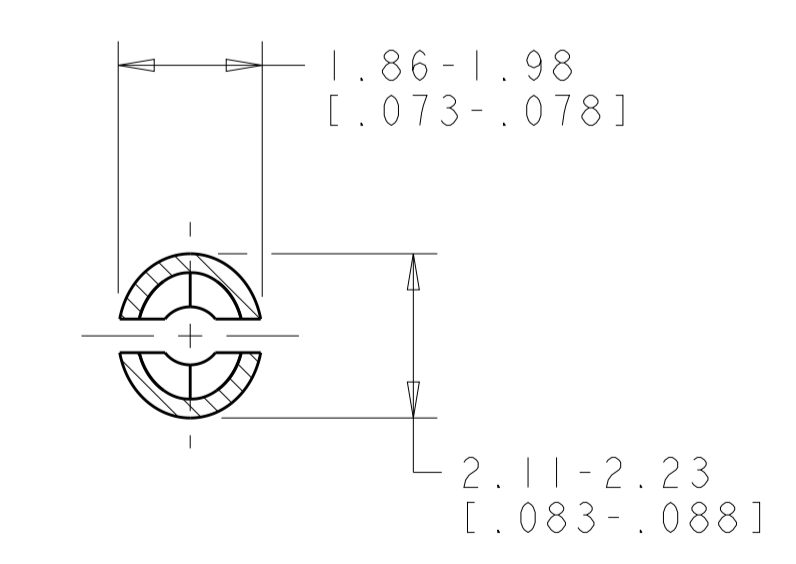
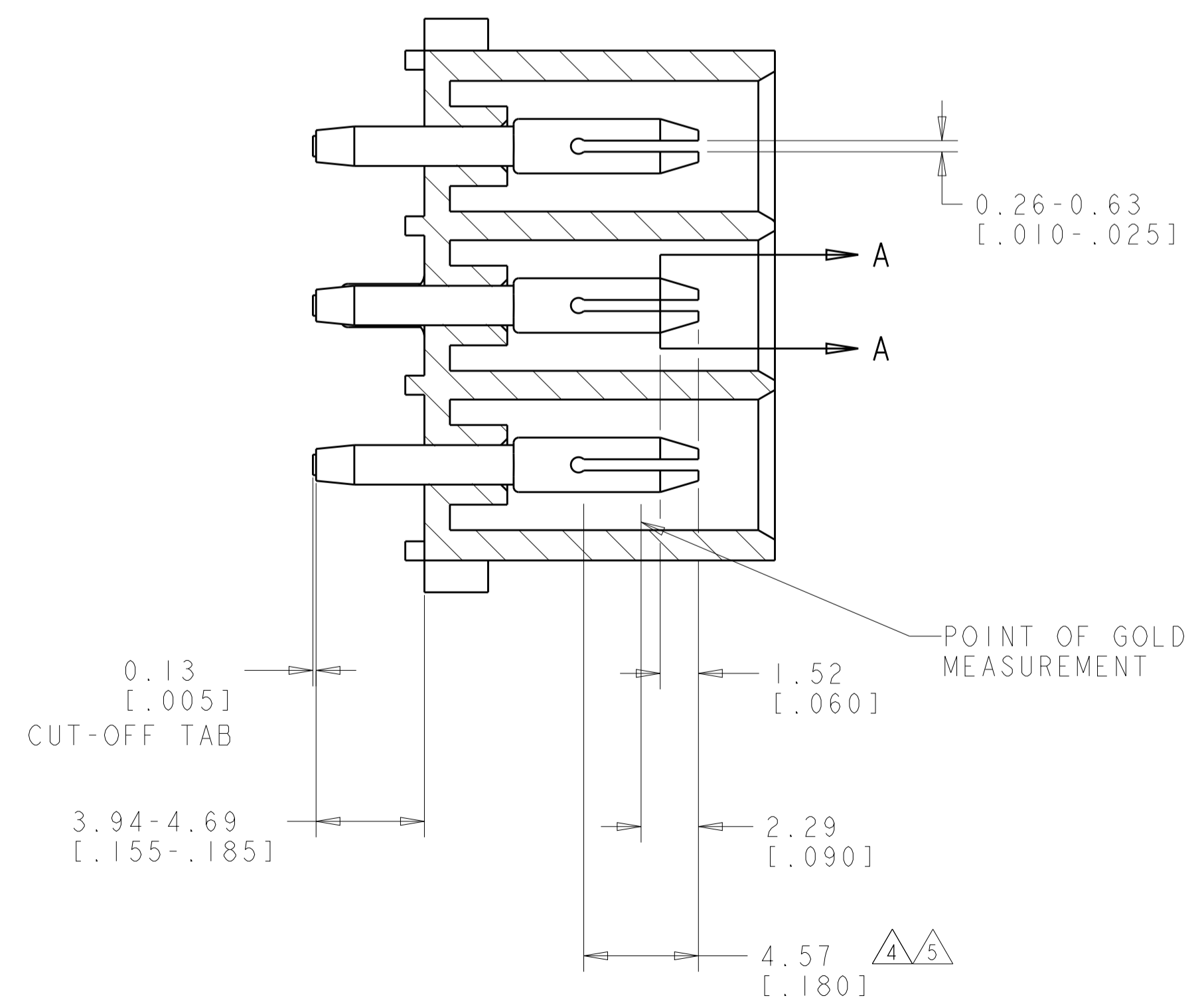
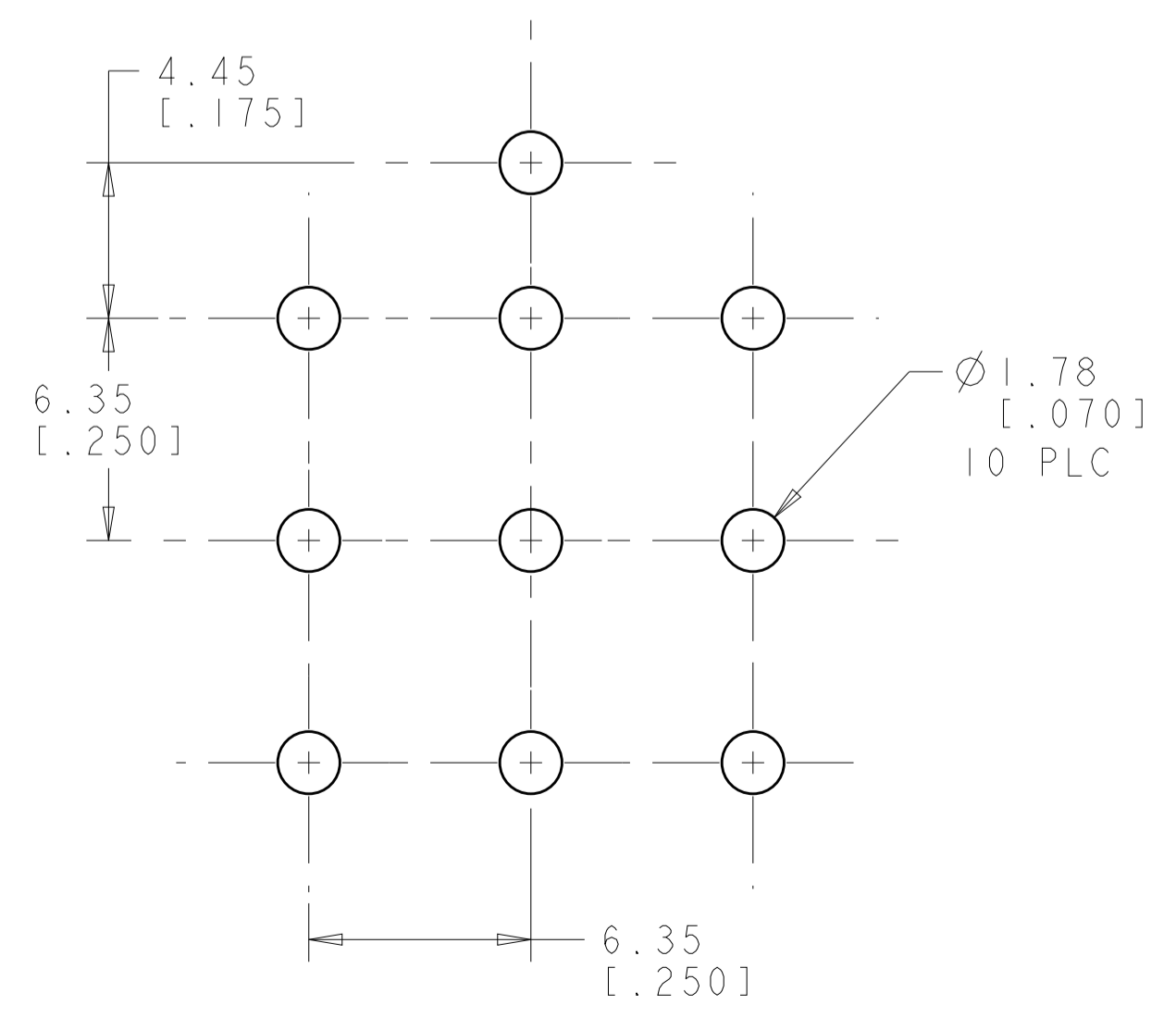


LOC	DIST	REV	DATE	BY	CHK	APP'D
CM	00	A1	24 JAN 2013	KH	TM	

- PARTS COMPLY TO AMP SOLDERABILITY SPECIFICATION 109-11-3.
- CIRCUIT IDENTIFICATION CHARACTERS ARE ADJACENT TO THE INDICATED CAVITIES, BUT LOCATION AND ORIENTATION MAY DIFFER FROM PRINT.
- DIMENSIONS IN BRACKETS ARE IN INCHES.
- CONTACT IS PLATED OVERALL WITH 0.0127 [0.00050] NICKEL, THEN 0.0076 [0.00030] GOLD OVER CONTACT LENGTH INDICATED AND MATTE TIN LEAD ON SOLDER TAIL.
- CONTACT IS PLATED OVERALL WITH 0.0127 [0.00050] NICKEL, THEN 0.0076 [0.00030] GOLD OVER CONTACT LENGTH INDICATED AND MATTE TIN ON SOLDER TAIL.
- SUPERSEDED BY 1586126-3



3 DIMENSIONAL MODEL
SCALE 4:1

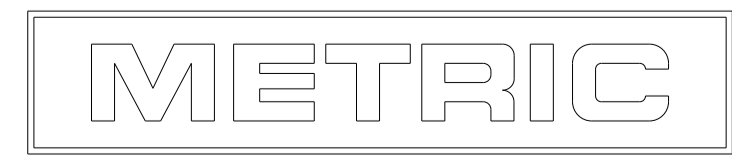


SECTION A-A
SCALE 10:1

PHOSPOR BRONZE, GOLD $\Delta 5$	NYLON, UL94V-0, WHITE	1586126-3
PHOSPOR BRONZE, GOLD $\Delta 4$	NYLON, UL94V-0, WHITE	1586126-1
PIN CONTACT MATERIAL AND FINISH	HOUSING MATERIAL AND COLOR	PART NUMBER

RECOMMENDED MOUNTING HOLE PATTERN FOR 1.57 [.062] THICK P.C. BOARD

SECTION B-B



THIS DRAWING IS A CONTROLLED DOCUMENT.		OWN: S. RIDGILL	21-APR-2003	TE Connectivity
DIMENSIONS: mm [INCHES]		CHK: S. RIDGILL	21-APR-2003	
TOLERANCES UNLESS OTHERWISE SPECIFIED:		APVD: S. RIDGILL	21-APR-2003	NAME: PIN HEADER ASSEMBLY, POLARIZED, 9 CIRCUIT, UNIVERSAL MATE-N-LOK™ SIZE: CAGE CODE: DRAWING NO: A100779 ©=1586126 RESTRICTED TO:
MATERIAL: SEE TABLE		FINISH: SEE TABLE	WEIGHT: -	
CUSTOMER DRAWING		SCALE: 5:1		SHEET 1 OF 1 REV: A1

X-ON Electronics

Largest Supplier of Electrical and Electronic Components

Click to view similar products for [Pin & Socket Connectors](#) category:

Click to view products by [TE Connectivity](#) manufacturer:

Other Similar products are found below :

[6450822-1](#) [770392-1](#) [794042-1](#) [796885-1](#) [8-794535-1](#) [PLR3455ACS-222](#) [R929991004](#) [R929993003](#) [1403611-1](#) [1-480349-5](#) [152302-5](#)
[153211-2](#) [1586092-1](#) [1586129-1](#) [1586681-4](#) [1586700-1](#) [1586368-1](#) [1586380-1](#) [1586616-1](#) [1586680-5](#) [16-06-0038](#) [164164-5](#) [1-6609930-1](#)
[172296-1](#) [19-09-2035](#) [200503-1](#) [200788-2](#) [2029090-4](#) [2029095-4](#) [925061-7](#) [293734-4](#) [293737-2](#) [1-765362-4](#) [1-794606-3](#) [1871534-1](#)
[200833-4](#) [2008625-2](#) [2029027-2](#) [2029096-4](#) [R929991000](#) [R929991002](#) [R929993000](#) [319-10-101-00-005000](#) [319-10-102-00-001000](#)
[319-10-104-00-001000](#) [319-10-105-00-001000](#) [319-10-108-00-001000](#) [319-10-112-00-006000](#) [39-01-8019](#) [319-10-101-00-001000](#)