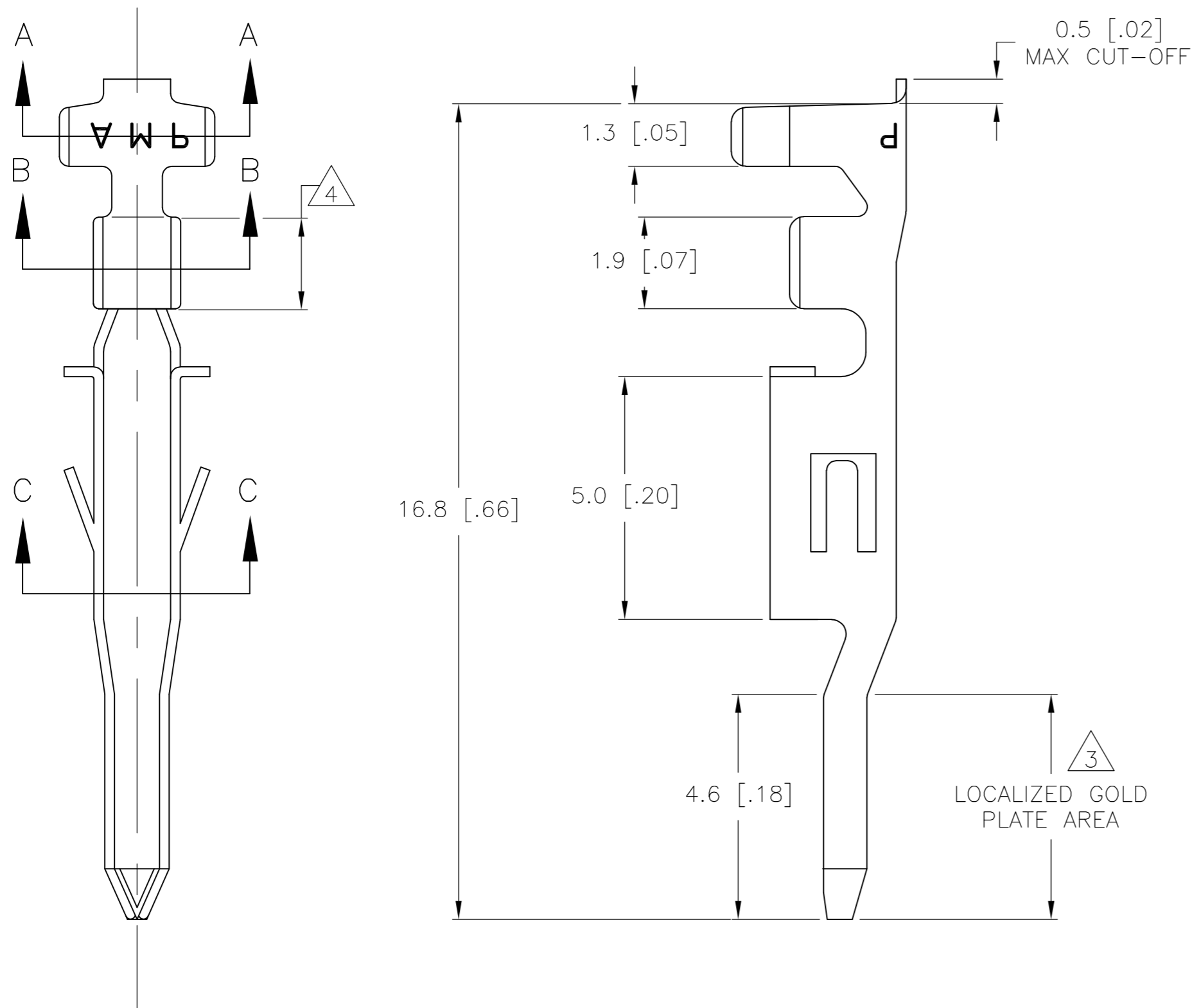
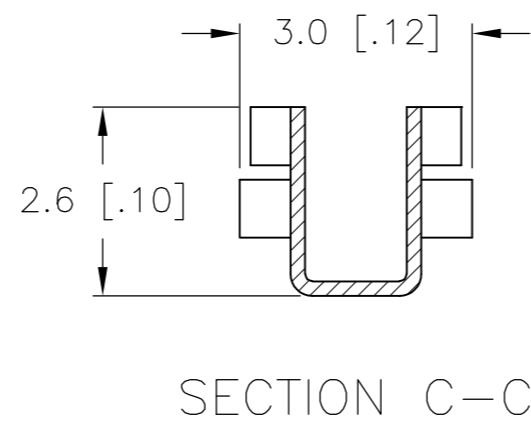
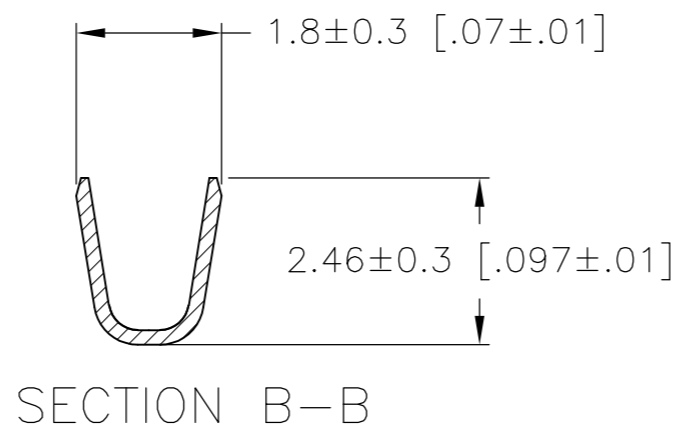
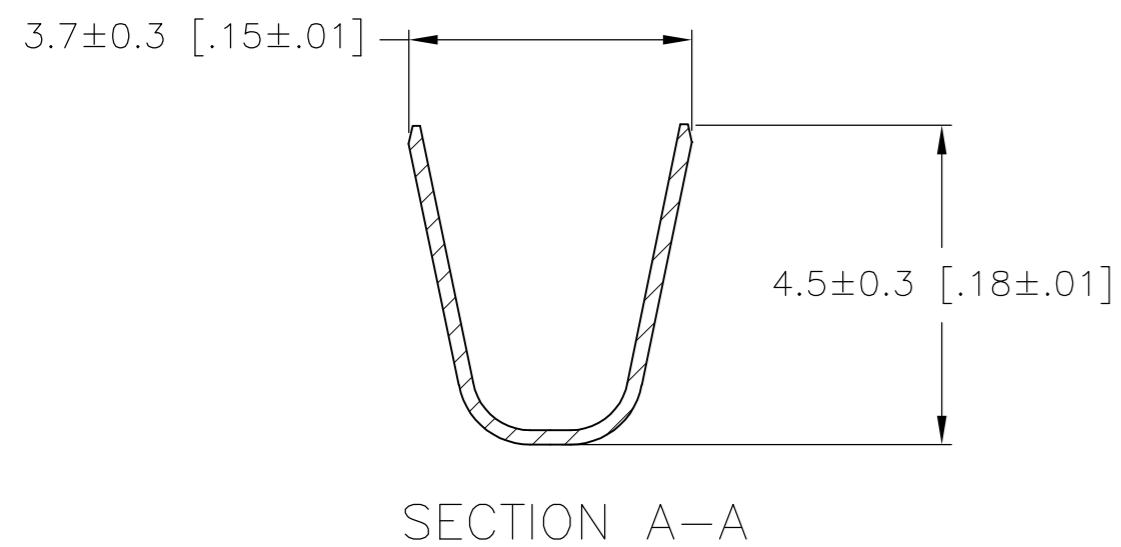


THIS DRAWING IS UNPUBLISHED. RELEASED FOR PUBLICATION
 © COPYRIGHT - By - ALL RIGHTS RESERVED.

LOC	DIST	REVISIONS					
CM	00	P	LTR	DESCRIPTION	DATE	DWN	APVD
		C1		REVISED PER ECO-11-004917	11MAR11	RK	HMR



- 1 WIRE RANGE: 0.2–0.8mm² (24–18 AWG).
- 2 INSULATION RANGE: 1.50–2.40 DIA.
- 3 FINISH: 0.76µm MINIMUM GOLD IN LOCALIZED GOLD PLATE AREA OVER 1.27µm MINIMUM NICKEL
- 4 FINISH: 2.54µm MINIMUM TIN IN LOCALIZED TIN PLATE AREA.



3 4	PHOS. BRZ.	1586314-4
PRE-TIN	PHOS. BRZ.	1586314-3
3 4	BRASS	1586314-2
PRE-TIN	BRASS	1586314-1
FINISH:	MATERIAL:	PART NO.

THIS DRAWING IS A CONTROLLED DOCUMENT.		DWN	14-OCT-2003	TE Connectivity		
DIMENSIONS: mm [INCHES]		S. HOOVER	14-OCT-2003			
TOLERANCES UNLESS OTHERWISE SPECIFIED:		CHK	D. COLEY			
0 PLC ±		APVD	D. COLEY			
1 PLC ± 0.3 [.01]		PRODUCT SPEC	14-OCT-2003			
2 PLC ± 0.15 [.006]		APPLICATION SPEC		NAME		
3 PLC ± 0.050 [.0020]		WEIGHT		TERMINAL LOOSE PIECE, PIN VAL-U-LOK(TM)		
4 PLC ±		CUSTOMER DRAWING		SIZE	CAGE CODE	DRAWING NO
ANGLES ±		SCALE 10:1		A2	00779	C=1586314
FINISH		SHEET 1 of 1		REV C1		RESTRICTED TO

X-ON Electronics

Largest Supplier of Electrical and Electronic Components

Click to view similar products for [Headers & Wire Housings](#) category:

Click to view products by [TE Connectivity](#) manufacturer:

Other Similar products are found below :

[892-18-020-10-001101](#) [58102-G61-06LF](#) [582553-1](#) [0009485154](#) [009176003701906](#) [0050291907](#) [LY20-4P-DT1-P1E-BR](#) [02.125.8002.8](#)
[609-3404](#) [61062-3](#) [61082-181009](#) [622-3653LF](#) [63453-116](#) [636-1030](#) [636-1427](#) [636-3427](#) [636-4007](#) [641938-9](#) [641991-4](#) [644827-2](#) [65817-010LF](#) [65817-015LF](#) [65863-015LF](#) [66207-023LF](#) [67095-007LF](#) [67601157](#) [68645-018](#) [68648-049](#) [70.362.1628.0](#) [70-4210](#) [70-4226B](#) [70-4853B](#) [707-5020](#) [707-5028](#) [71.350.2428.0](#) [71918-208LF](#) [71961-016LF](#) [733-134](#) [733-162](#) [754199-000](#) [760-3052](#) [787-8014-00](#) [79531-3000](#)
[FCN-360C032-B](#) [FCN-367T-T012/H](#) [FCN-723D010/2](#) [80.063.4001.1](#) [800-90-001-10-001000](#) [800-90-010-10-002000](#) [801-43-002-10-013000](#)