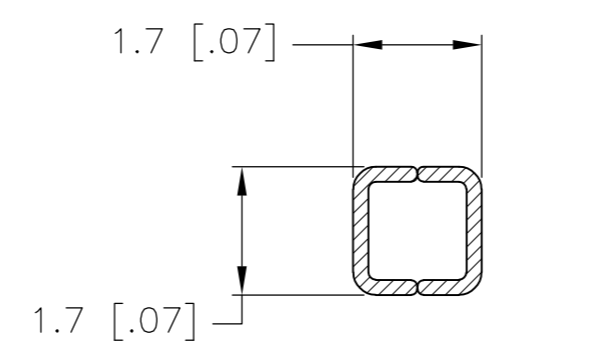
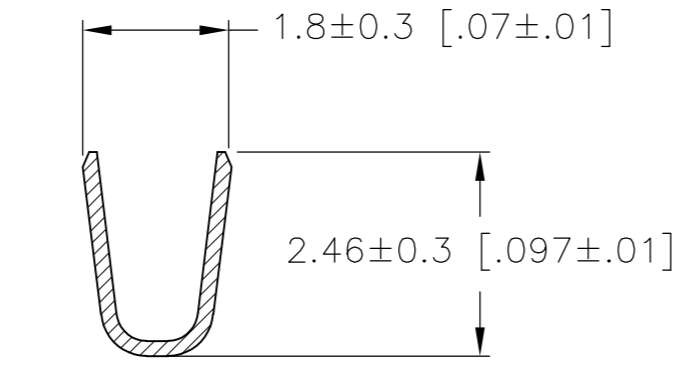
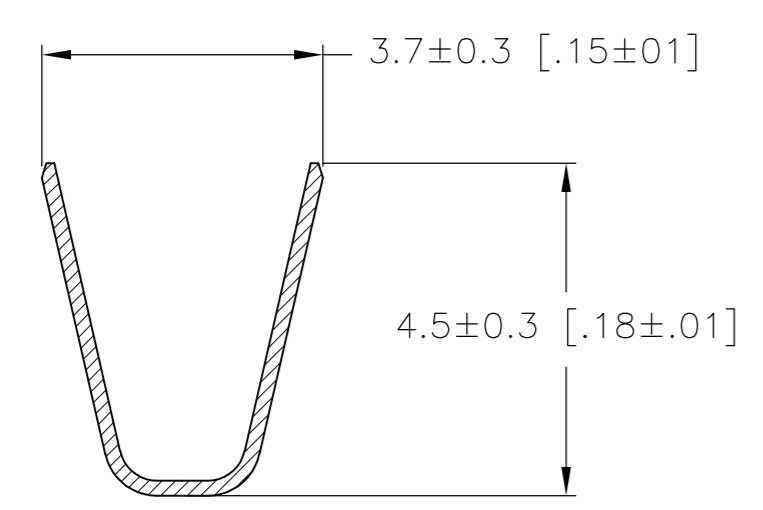
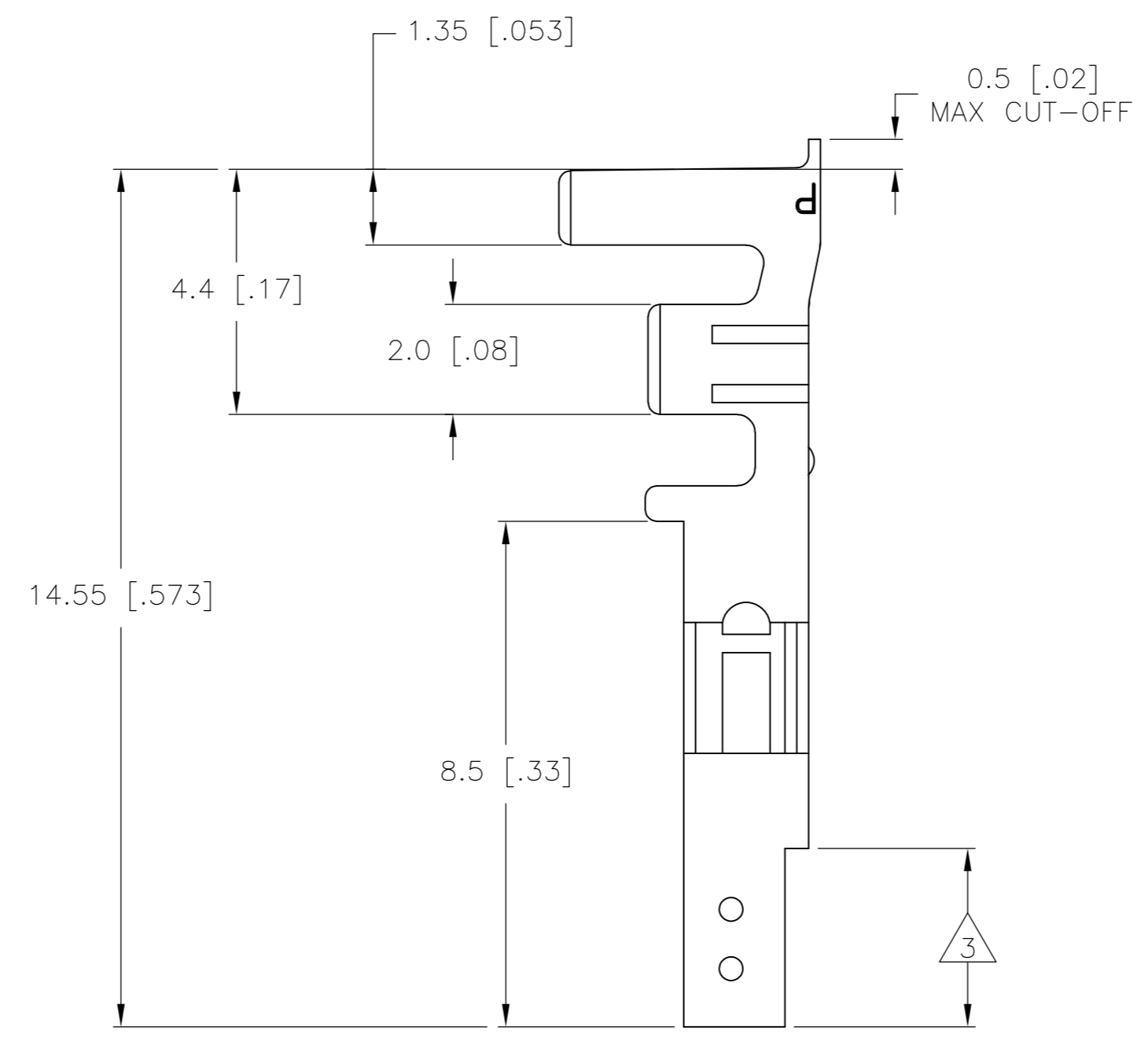
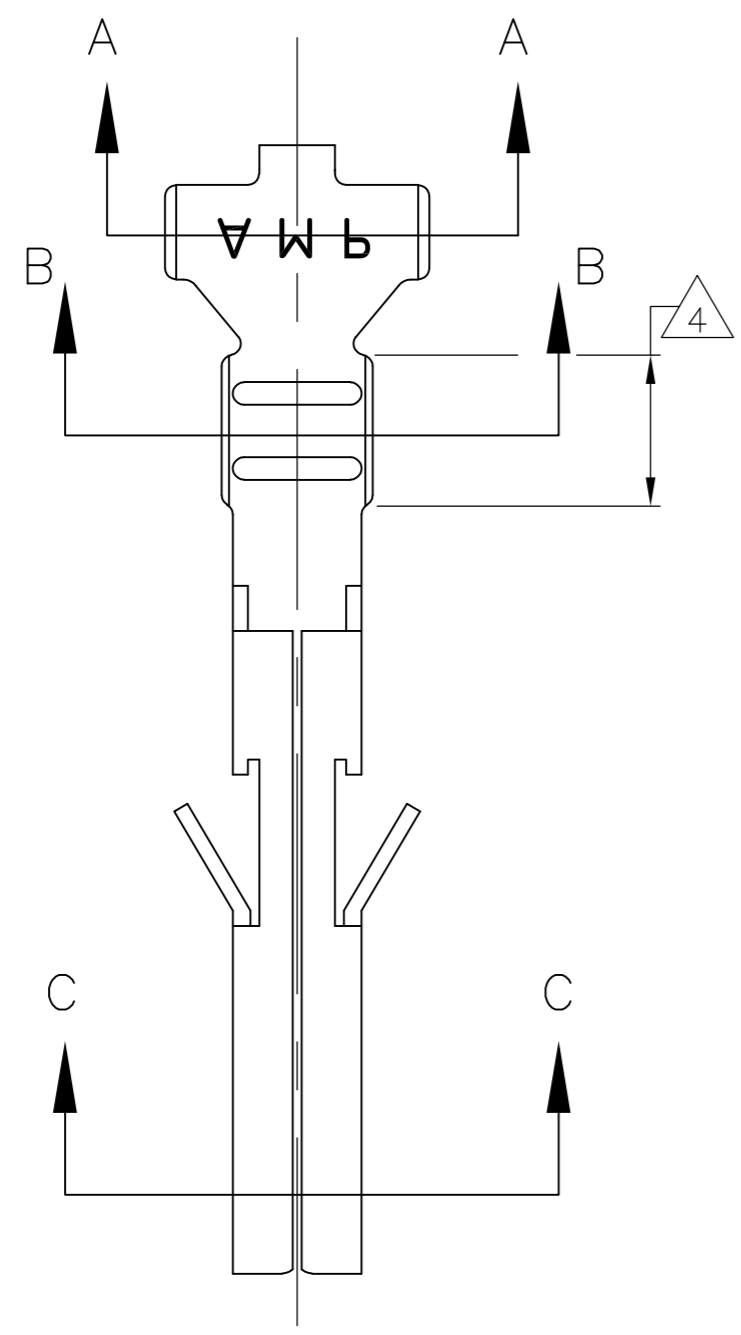


THIS DRAWING IS UNPUBLISHED. RELEASED FOR PUBLICATION  
 © COPYRIGHT - By - ALL RIGHTS RESERVED.

LOC	DIST	REVISIONS					
CM	00	P	LTR	DESCRIPTION	DATE	DWN	APVD
		B1		REVISED PER ECO-11-004820	11MAR11	RK	HMR

- 1 WIRE RANGE: 0.2-0.8mm<sup>2</sup> (24-18 AWG).
- 2 INSULATION RANGE: 1.5-2.4 DIA.
- 3 FINISH: 0.76μm MIN GOLD OVER 1.27μm MIN NICKEL REQUIRED ON INNER SURFACE, PERMITTED ON OUTER SURFACE.
- 4 FINISH: 2.54μm MIN TIN ON ALL SURFACES IN THIS AREA.



GOLD	3 4	PHOS. BRZ.	1586315-4
PRE-TIN		PHOS. BRZ.	1586315-3
GOLD	3 4	BRASS	1586315-2
PRE-TIN		BRASS	1586315-1
FINISH:		MATERIAL:	PART NO.

SECTION A-A

SECTION B-B

SECTION C-C

THIS DRAWING IS A CONTROLLED DOCUMENT.

DIMENSIONS: mm [INCHES]	TOLERANCES UNLESS OTHERWISE SPECIFIED: 0 PLC ± 1 PLC ± 0.3 [.01] 2 PLC ± 0.15 [.004] 3 PLC ± 0.050 [.0020] 4 PLC ± ANGLES ±	DWN S. HOOVER 14-OCT-2003 CHK D. COLEY 14-OCT-2003 APVD D. COLEY 14-OCT-2003 PRODUCT SPEC APPLICATION SPEC	NAME TE Connectivity
MATERIAL	FINISH	WEIGHT	SIZE A2 CAGE CODE 00779 C=1586315 RESTRICTED TO -
CUSTOMER DRAWING		SCALE 10:1	SHEET 1 OF 1 REV B1

1586315

## X-ON Electronics

Largest Supplier of Electrical and Electronic Components

*Click to view similar products for [Headers & Wire Housings](#) category:*

*Click to view products by [TE Connectivity](#) manufacturer:*

Other Similar products are found below :

[892-18-020-10-001101](#) [58102-G61-06LF](#) [582553-1](#) [0009485154](#) [009176003701906](#) [0050291907](#) [LY20-4P-DT1-P1E-BR](#) [02.125.8002.8](#)  
[609-3404](#) [61062-3](#) [61082-181009](#) [622-3653LF](#) [63453-116](#) [636-1030](#) [636-1427](#) [636-3427](#) [636-4007](#) [641938-9](#) [641991-4](#) [644827-2](#) [65817-](#)  
[010LF](#) [65817-015LF](#) [65863-015LF](#) [66207-023LF](#) [67095-007LF](#) [67601157](#) [68645-018](#) [68648-049](#) [70.362.1628.0](#) [70-4210](#) [70-4226B](#) [70-](#)  
[4853B](#) [707-5020](#) [707-5028](#) [71.350.2428.0](#) [71918-208LF](#) [71961-016LF](#) [733-134](#) [733-162](#) [754199-000](#) [760-3052](#) [787-8014-00](#) [79531-3000](#)  
[FCN-360C032-B](#) [FCN-367T-T012/H](#) [FCN-723D010/2](#) [80.063.4001.1](#) [800-90-001-10-001000](#) [800-90-010-10-002000](#) [801-43-002-10-013000](#)