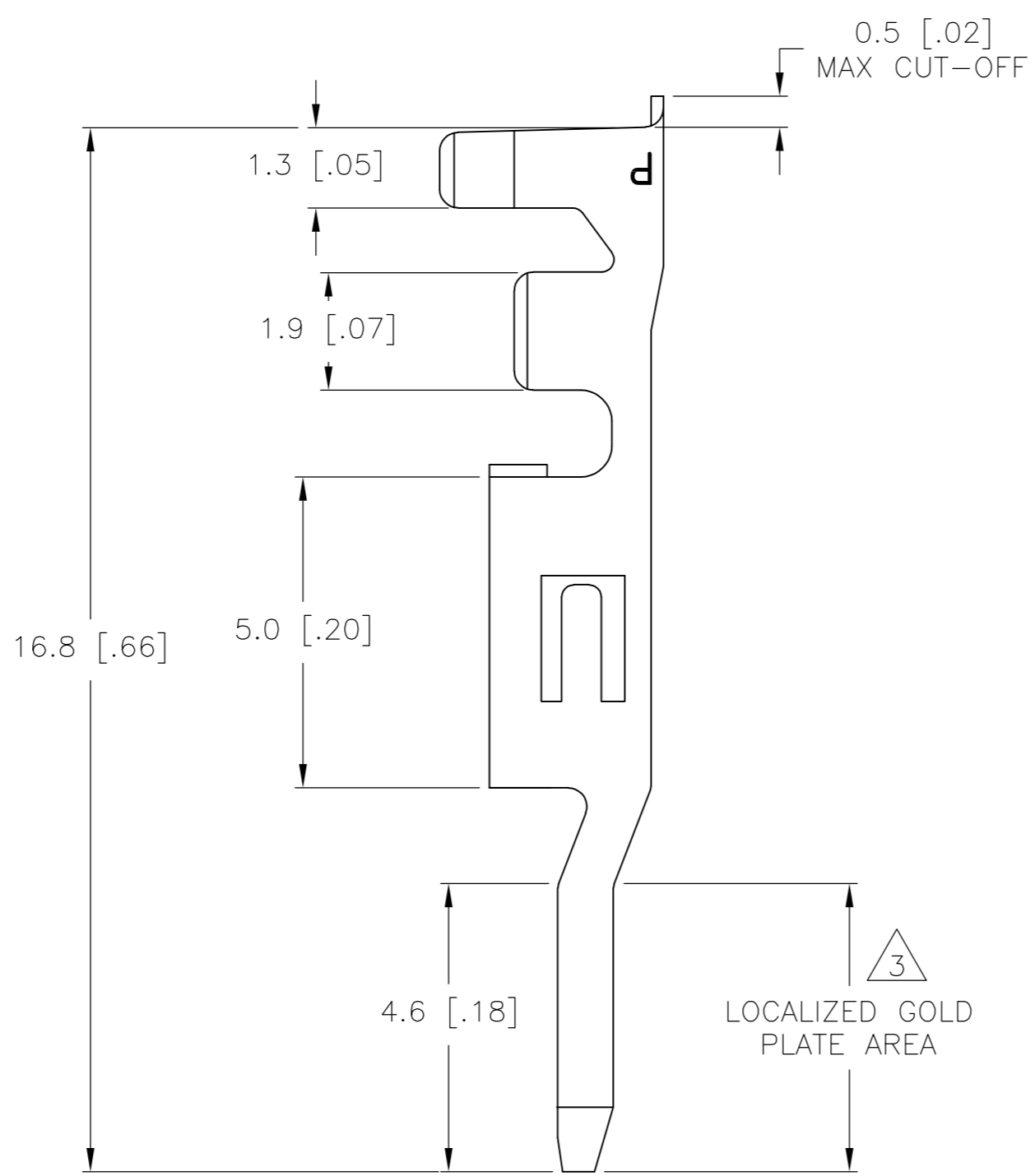
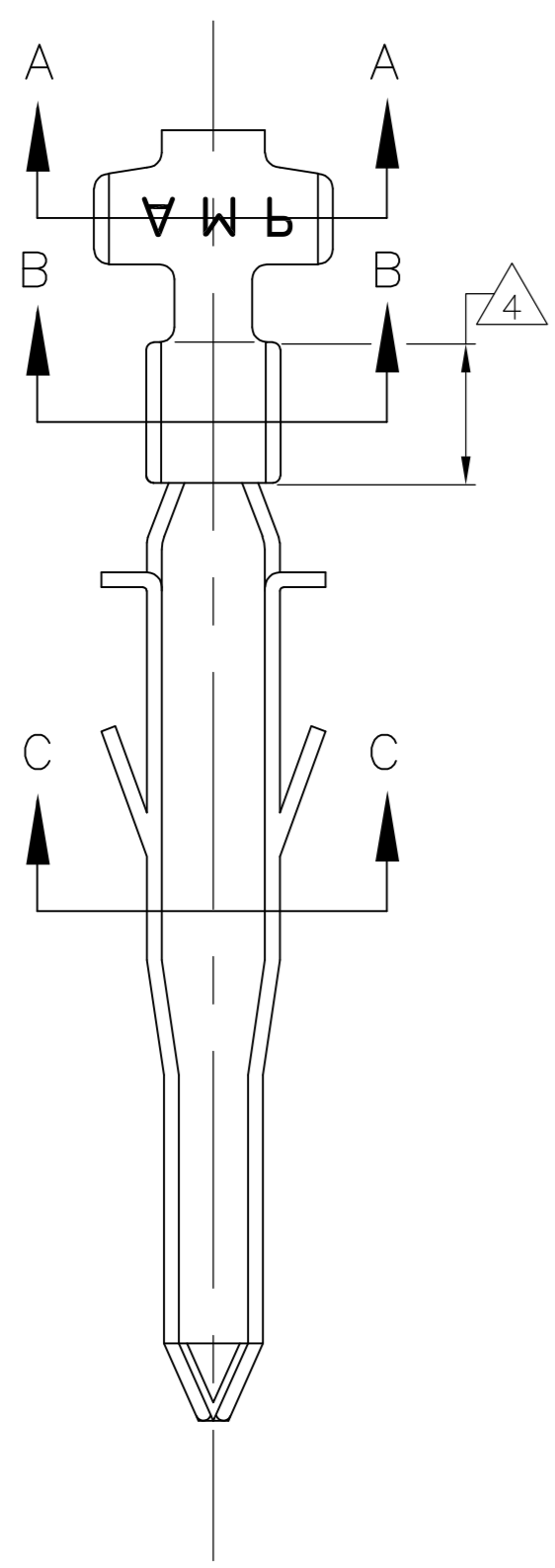
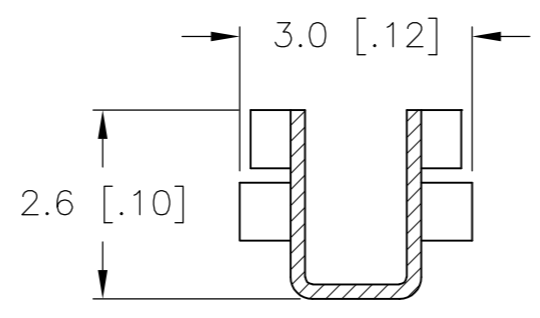
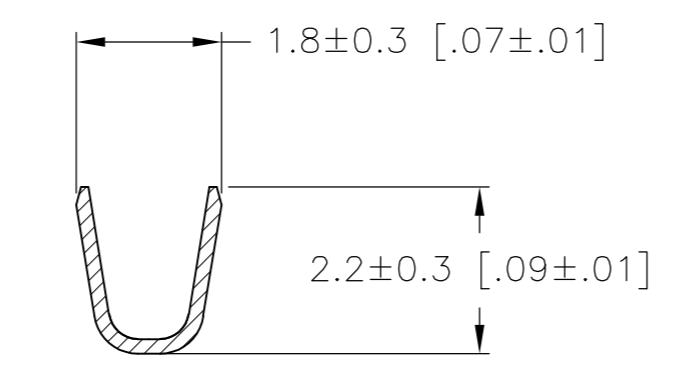
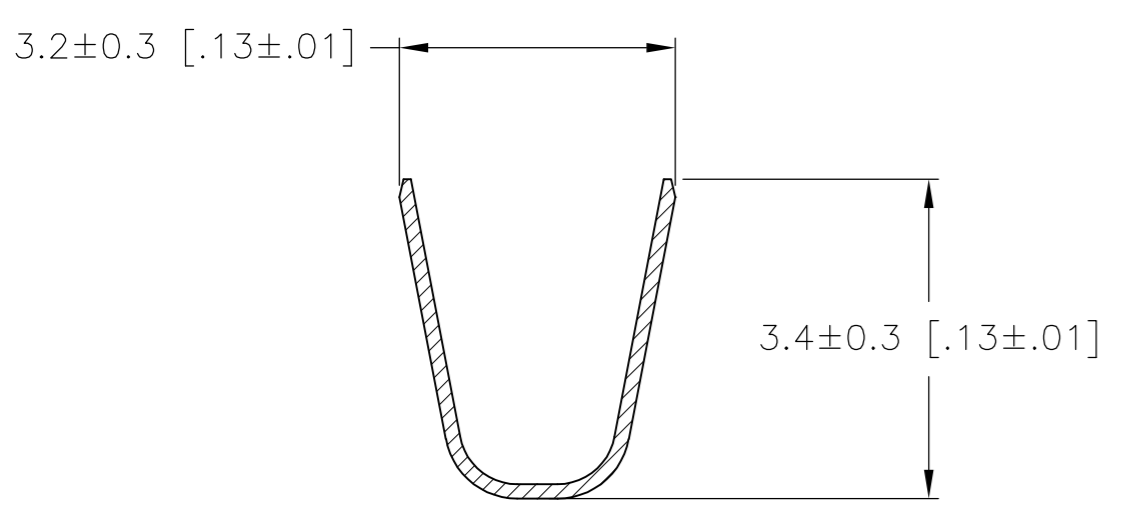


THIS DRAWING IS UNPUBLISHED. RELEASED FOR PUBLICATION  
 © COPYRIGHT - By - ALL RIGHTS RESERVED.

LOC		DIST		REVISIONS			
P	LTR	DESCRIPTION		DATE	DWN	APVD	
CM	00	A1	REVISED PER ECO-11-004917		11MAR11	RK	HMR



- 1 WIRE RANGE: 0.13–0.32mm<sup>2</sup> (26–22 AWG).
- 2 INSULATION RANGE: 1.20–1.75 DIA.
- 3 FINISH: 0.76μm MINIMUM GOLD IN LOCALIZED GOLD PLATE AREA OVER 1.27μm MINIMUM NICKEL
- 4 FINISH: 2.54μm MINIMUM TIN IN LOCALIZED TIN PLATE AREA.



SECTION A-A

SECTION B-B

SECTION C-C

3 4	PHOS. BRZ.	1586316-4
PRE-TIN	PHOS. BRZ.	1586316-3
3 4	BRASS	1586316-2
PRE-TIN	BRASS	1586316-1
FINISH:	MATERIAL:	PART NO.

DIMENSIONS:		TOLERANCES UNLESS OTHERWISE SPECIFIED:		APVD		NAME	
mm	[INCHES]	PLC	±	14-OCT-2003	S. HOOVER		
		0	±	14-OCT-2003	D. COLEY		
		1	± 0.3 [01]	14-OCT-2003	D. COLEY		
		2	± 0.15 [006]	14-OCT-2003	D. COLEY		
		3	± 0.050 [0020]	14-OCT-2003	D. COLEY		
		4	±	14-OCT-2003	D. COLEY		
		ANGLES	±	14-OCT-2003	D. COLEY		
		FINISH	±	14-OCT-2003	D. COLEY		
MATERIAL				WEIGHT		SIZE	
FINISH				WEIGHT		CAGE CODE	
MATERIAL				WEIGHT		DRAWING NO	
FINISH				WEIGHT		RESTRICTED TO	
MATERIAL				WEIGHT		SCALE	
FINISH				WEIGHT		SHEET	
MATERIAL				WEIGHT		REV	
FINISH				WEIGHT		APVD	



TERMINAL LOOSE PIECE, PIN  
VAL-U-LOK(TM)

A2	00779	C=1586316	10:1	1	1	A1
----	-------	-----------	------	---	---	----

## X-ON Electronics

Largest Supplier of Electrical and Electronic Components

*Click to view similar products for [Pin & Socket Connectors](#) category:*

*Click to view products by [TE Connectivity](#) manufacturer:*

Other Similar products are found below :

[6450822-1](#) [770392-1](#) [794042-1](#) [796885-1](#) [8-794535-1](#) [881459-2](#) [R929993003](#) [1-350779-3](#) [1403611-1](#) [1-480349-5](#) [1586092-1](#) [1586129-1](#)  
[1586487-1](#) [1586681-4](#) [1586700-1](#) [1586065-1](#) [1586077-1](#) [1586368-1](#) [1586380-1](#) [1586680-5](#) [1586681-2](#) [1604996-1](#) [16-06-0038](#) [164164-5](#) [1-](#)  
[6609930-1](#) [172296-1](#) [1-794714-6](#) [19-09-2035](#) [1969804-1](#) [200503-1](#) [200788-2](#) [201046-7](#) [202648-4](#) [2029076-2](#) [2029090-4](#) [2029095-4](#) [2-](#)  
[66102-6](#) [925061-7](#) [926681-1](#) [293734-4](#) [293737-2](#) [1-765362-4](#) [1-794606-3](#) [1871534-1](#) [1969795-1](#) [1969798-1](#) [1969800-1](#) [200833-4](#)  
[2008625-2](#) [2029027-2](#)