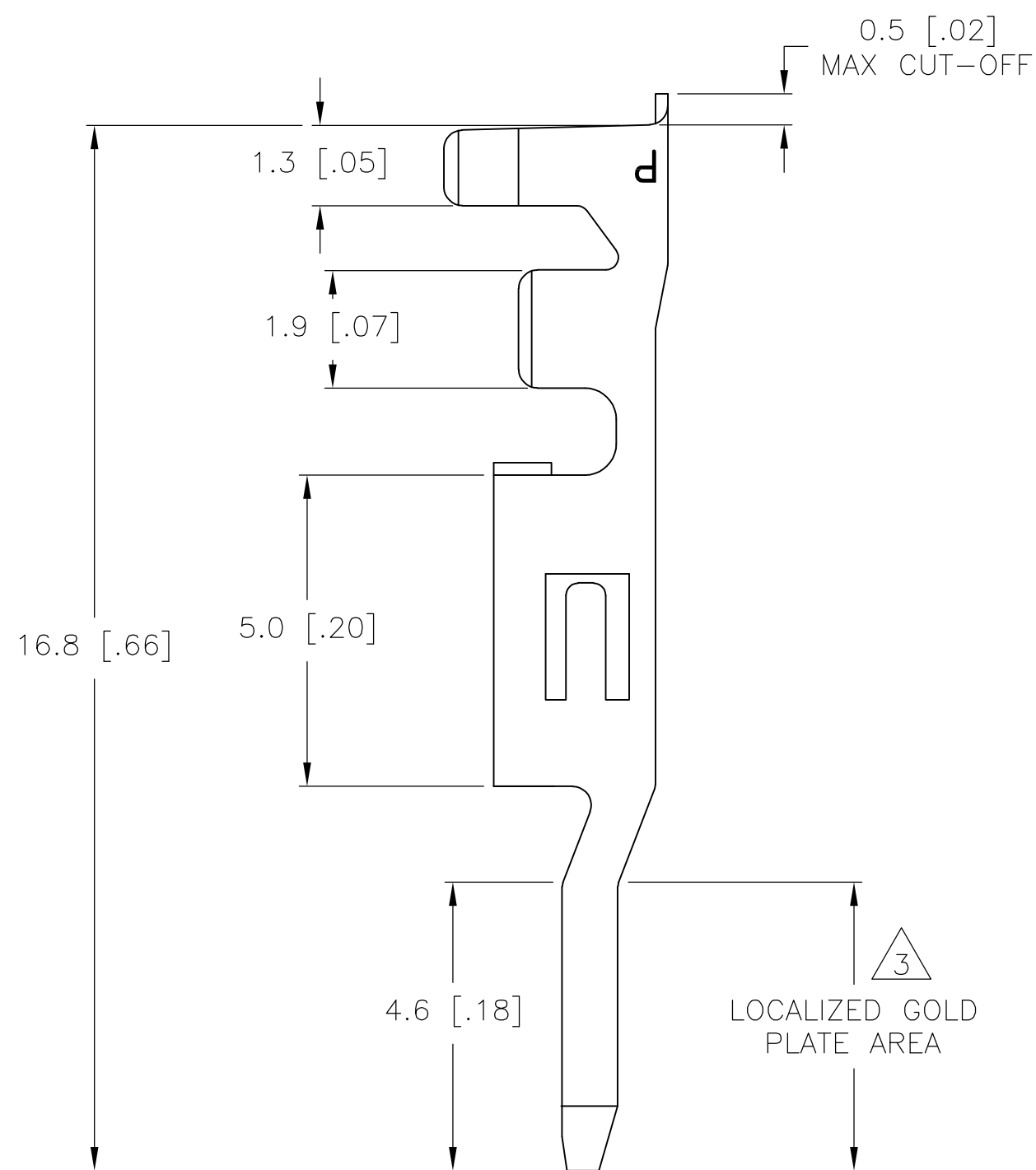
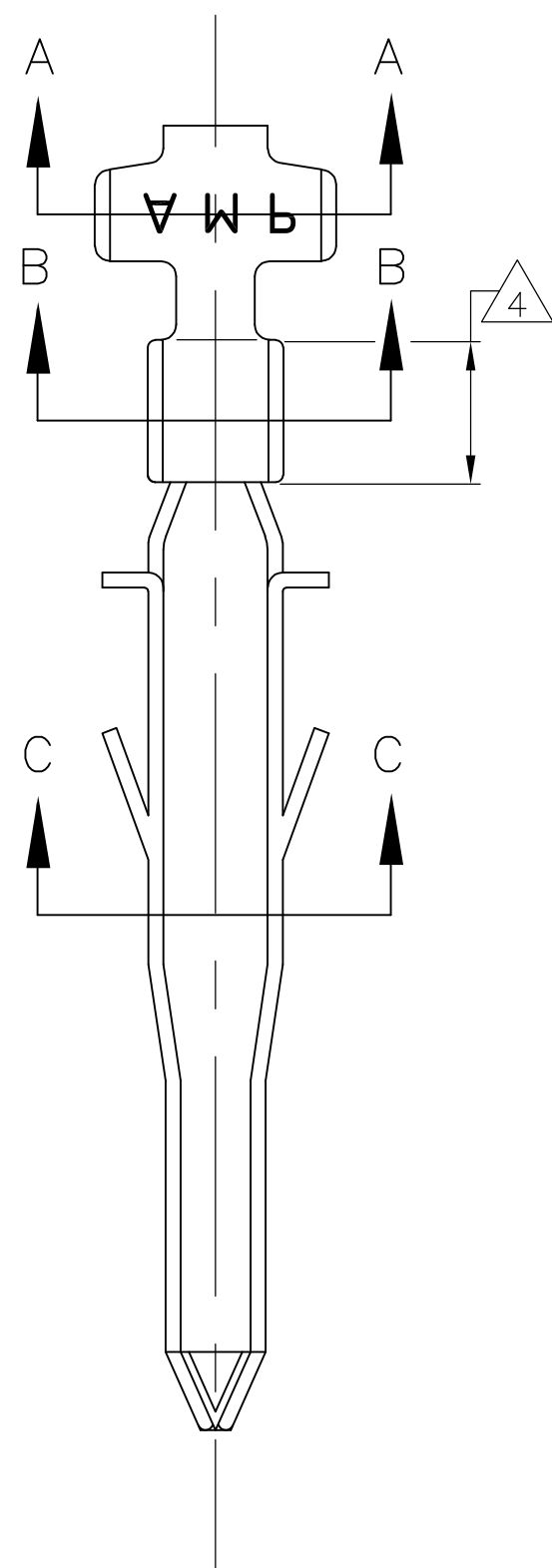
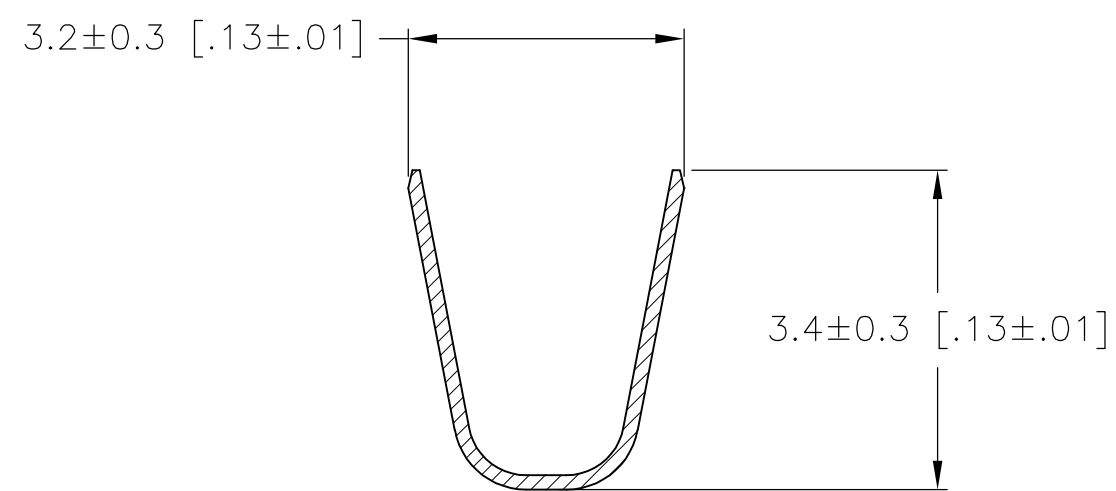


THIS DRAWING IS UNPUBLISHED. RELEASED FOR PUBLICATION
 © COPYRIGHT - By - ALL RIGHTS RESERVED.

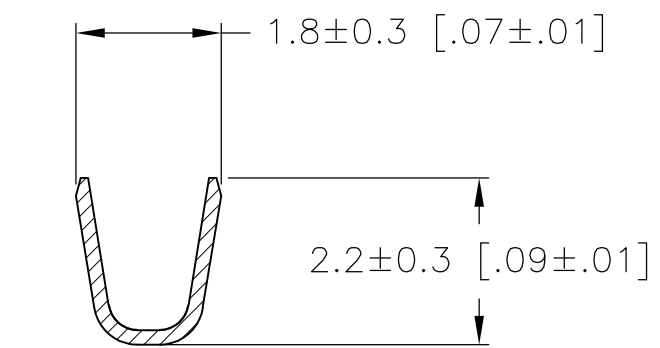
LOC		DIST		REVISIONS			
P	LTR	DESCRIPTION		DATE	DWN	APVD	
CM	00	A1	REVISED PER ECO-11-004917		11MAR11	RK	HMR



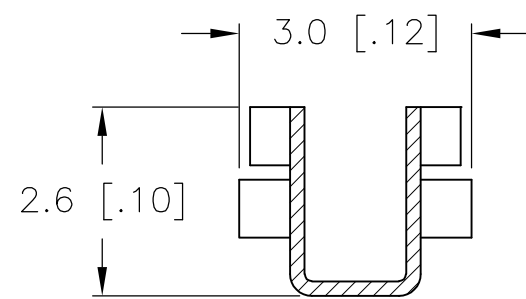
- 1 WIRE RANGE: 0.13–0.32mm² (26–22 AWG).
- 2 INSULATION RANGE: 1.20–1.75 DIA.
- 3 FINISH: 0.76μm MINIMUM GOLD IN LOCALIZED GOLD PLATE AREA OVER 1.27μm MINIMUM NICKEL
- 4 FINISH: 2.54μm MINIMUM TIN IN LOCALIZED TIN PLATE AREA.



SECTION A-A



SECTION B-B



SECTION C-C

3 4	PHOS. BRZ.	1586316-4
PRE-TIN	PHOS. BRZ.	1586316-3
3 4	BRASS	1586316-2
PRE-TIN	BRASS	1586316-1
FINISH:	MATERIAL:	PART NO.

DIMENSIONS:		TOLERANCES UNLESS OTHERWISE SPECIFIED:		APVD		NAME	
mm	[INCHES]	PLC	±	DATE	NAME	SIZE	CAGE CODE
		0 PLC	±	14-OCT-2003	S. HOOVER	A2	00779
		1 PLC	± 0.3 [.01]	14-OCT-2003	D. COLEY	C=1586316	
		2 PLC	± 0.15 [.006]		D. COLEY	DRAWING NO	
		3 PLC	± 0.050 [.0020]		D. COLEY	RESTRICTED TO	
		4 PLC	±			SCALE 10:1 SHEET 1 OF 1 REV A1	
		ANGLES	±				
		FINISH					

X-ON Electronics

Largest Supplier of Electrical and Electronic Components

Click to view similar products for [Headers & Wire Housings](#) category:

Click to view products by [TE Connectivity](#) manufacturer:

Other Similar products are found below :

[892-18-020-10-001101](#) [58102-G61-06LF](#) [582553-1](#) [0009485154](#) [009176003701906](#) [0050291907](#) [LY20-4P-DT1-P1E-BR](#) [02.125.8002.8](#)
[609-3404](#) [61062-3](#) [61082-181009](#) [622-3653LF](#) [63453-116](#) [636-1030](#) [636-1427](#) [636-3427](#) [636-4007](#) [641938-9](#) [641991-4](#) [644827-2](#) [65817-010LF](#) [65817-015LF](#) [65863-015LF](#) [66207-023LF](#) [67095-007LF](#) [67601157](#) [68645-018](#) [68648-049](#) [70.362.1628.0](#) [70-4210](#) [70-4226B](#) [70-4853B](#) [707-5020](#) [707-5028](#) [71.350.2428.0](#) [71918-208LF](#) [71961-016LF](#) [733-134](#) [733-162](#) [754199-000](#) [760-3052](#) [787-8014-00](#) [79531-3000](#)
[FCN-360C032-B](#) [FCN-367T-T012/H](#) [FCN-723D010/2](#) [80.063.4001.1](#) [800-90-001-10-001000](#) [800-90-010-10-002000](#) [801-43-002-10-013000](#)