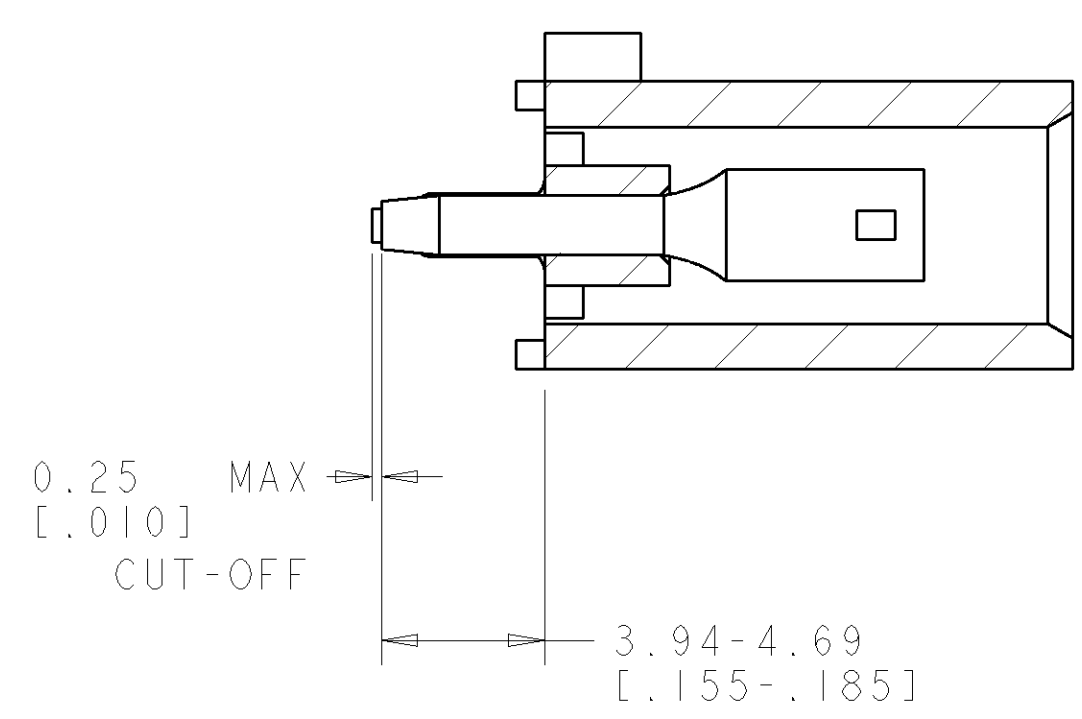
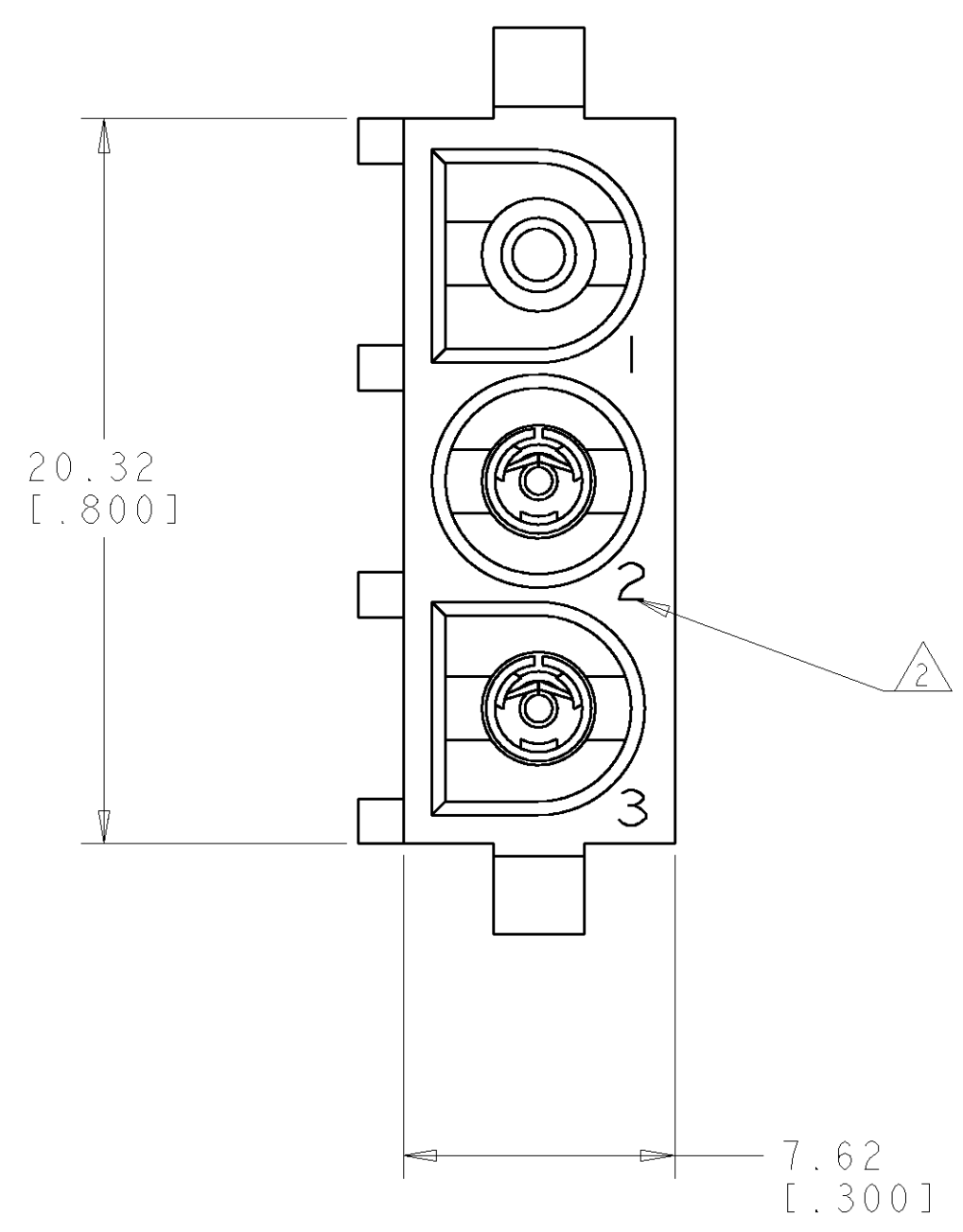
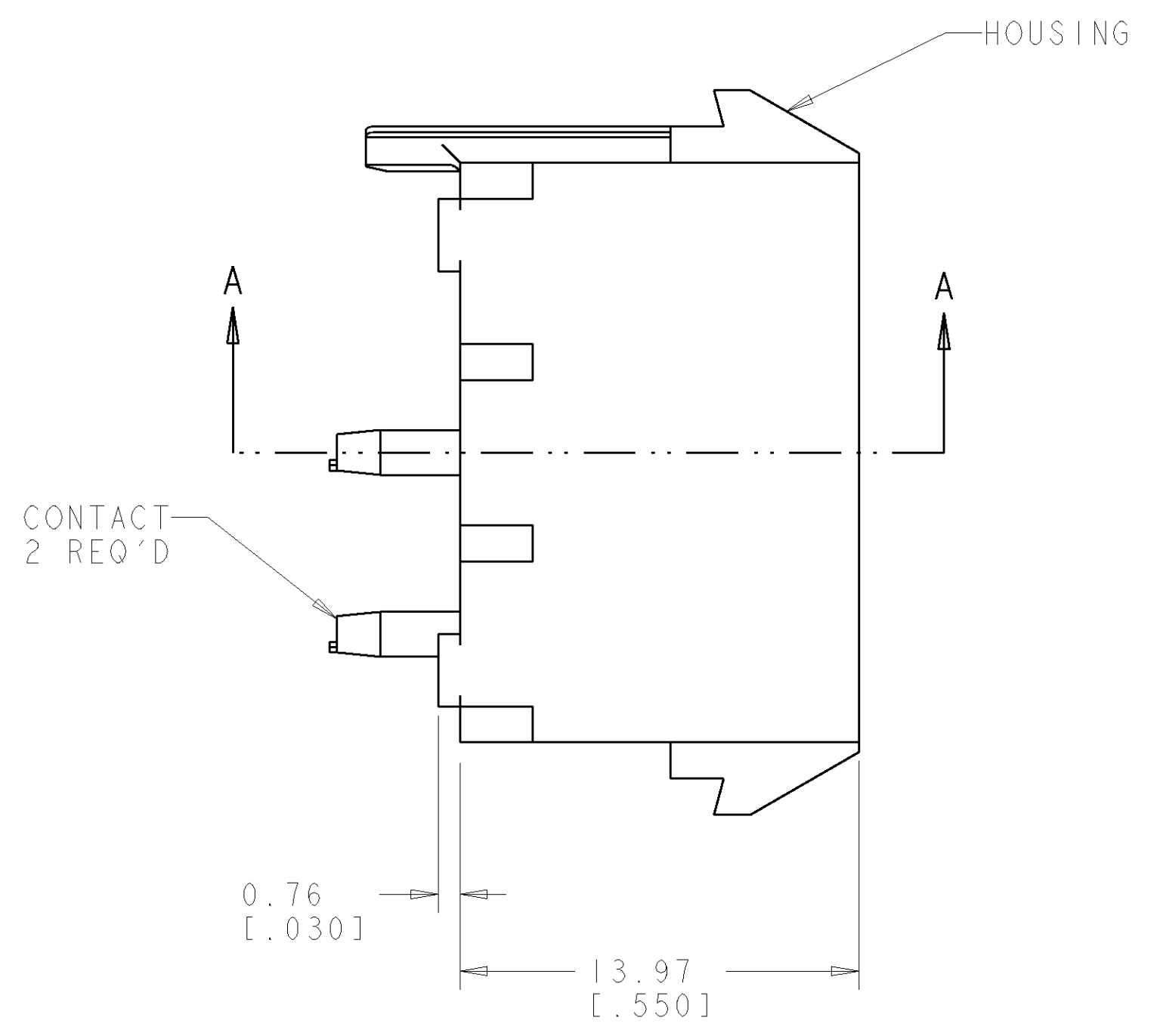
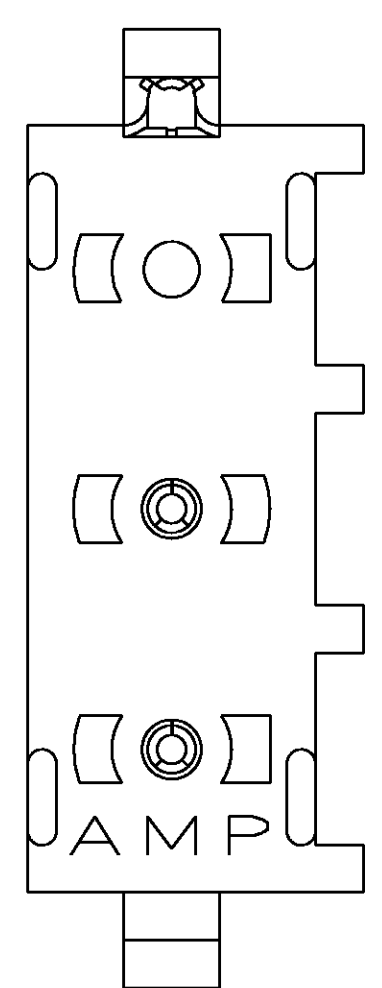
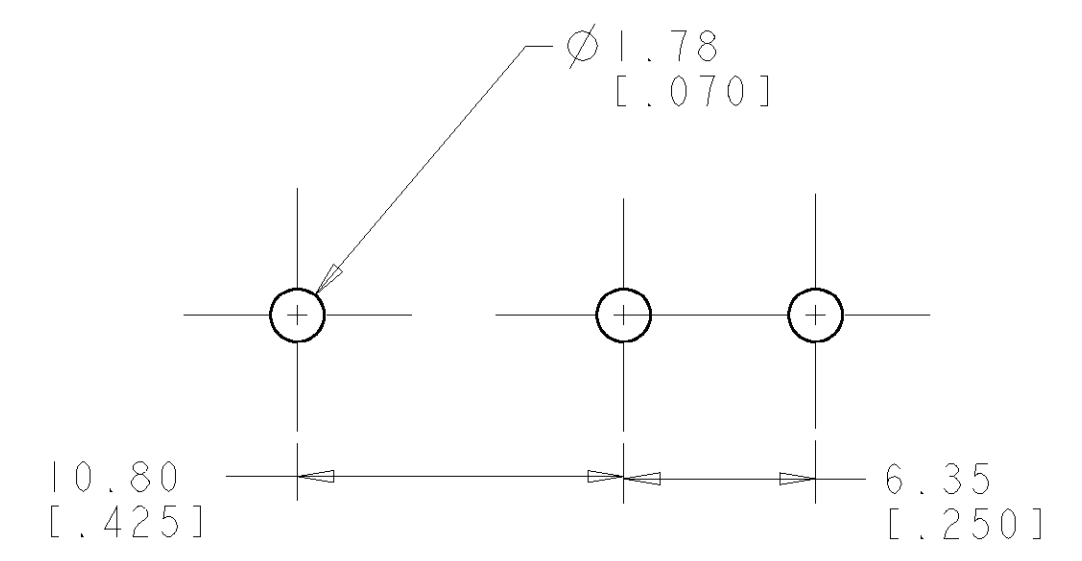


LOC		DIST		REVISIONS			
CM	00	P	LTR	DESCRIPTION	DATE	DWN	APVD
		0		RELEASED PER 0638-0526-04	18JUN04	KW	SR

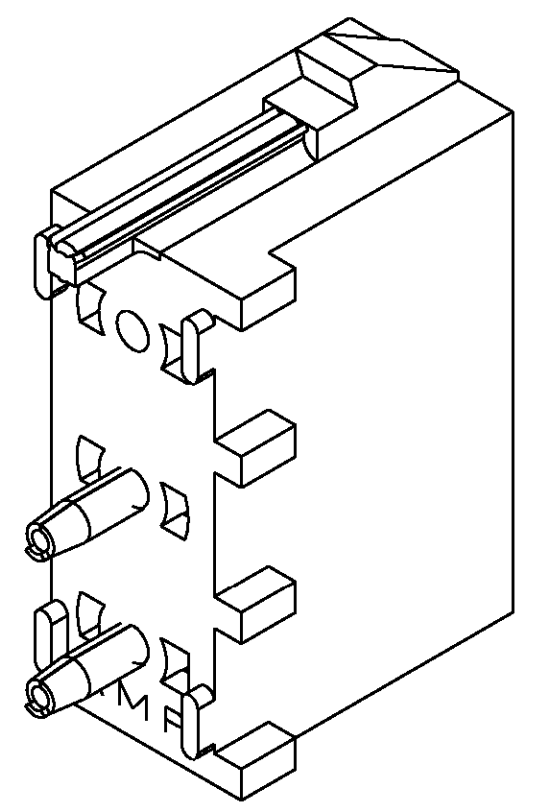
- PARTS COMPLY TO AMP SOLDERABILITY SPECIFICATION 109-111-3.
- CIRCUIT IDENTIFICATION CHARACTERS ARE ADJACENT TO THE INDICATED CAVITIES, BUT LOCATION AND ORIENTATION MAY DIFFER FROM PRINT.
- DIMENSIONS IN BRACKETS ARE IN INCHES.



SECTION A-A

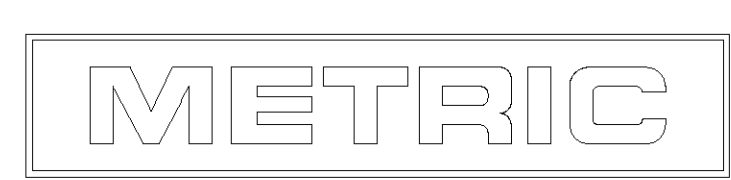


RECOMMENDED MOUNTING HOLE PATTERN FOR 1.57 [.062] THICK P.C. BOARD



3 DIMENSIONAL MODEL SCALE 4:1

1	PHOSPOR BRONZE, PRE-TIN	NYLON, UL94V-2, NATURAL	1586395-1
OMITTED CONTACT NO	CONTACT MATERIAL AND FINISH	HOUSING MATERIAL AND COLOR	PART NUMBER



<small>THIS DRAWING IS UNPUBLISHED. RELEASED FOR PUBLICATION BY TYCO ELECTRONICS CORPORATION. ALL RIGHTS RESERVED.</small> <small>THIS IS SUBJECT TO CHANGE FOR THE CUSTOMER'S IDENTIFICATION SYMBOLS BY CONTACTING THE LATEST VERSION.</small>		DWN: R. WHITAKER 05-FEB-04 CHK: S. RIDGILL 05-FEB-04 APVD: S. RIDGILL 05-FEB-04	Tyco Electronics Tyco Electronics Harrisburg, PA 17105-3608
DIMENSIONS: mm [INCHES] TOLERANCES UNLESS OTHERWISE SPECIFIED: 0 PLC ± 1 PLC ± 2 PLC ±0.13 (.005) 3 PLC ± 4 PLC ± ANGLES 40° 30'	FINISH: SEE TABLE MATERIAL: SEE TABLE	PRODUCT SPEC: - APPLICATION SPEC: - WEIGHT: - CUSTOMER DRAWING	NAME: SOCKET HEADER ASSEMBLY, POLARIZED, 3 CIRCUIT, SELECTIVELY LOADED, UNIVERSAL MATE-N-LOK™ SIZE: A1 CAGE CODE: 00779 DRAWING NO: 1586395 RESTRICTED TO: - SCALE: 5:1 SHEET: 1 OF 1 REV: 0

X-ON Electronics

Largest Supplier of Electrical and Electronic Components

Click to view similar products for [Pin & Socket Connectors](#) category:

Click to view products by [TE Connectivity](#) manufacturer:

Other Similar products are found below :

[6450822-1](#) [770392-1](#) [794042-1](#) [796885-1](#) [8-794535-1](#) [881459-2](#) [R929993003](#) [1-350779-3](#) [1403611-1](#) [1-480349-5](#) [152302-5](#) [1586092-1](#)
[1586129-1](#) [1586487-1](#) [1586681-4](#) [1586700-1](#) [1586065-1](#) [1586077-1](#) [1586368-1](#) [1586380-1](#) [1586616-1](#) [1586680-5](#) [1586681-2](#) [1604996-1](#)
[16-06-0038](#) [164164-5](#) [1-6609930-1](#) [172296-1](#) [1-794714-6](#) [19-09-2035](#) [1969804-1](#) [200503-1](#) [200788-2](#) [201046-7](#) [202648-4](#) [2029076-2](#)
[2029090-4](#) [2029095-4](#) [2-66102-6](#) [925061-7](#) [926681-1](#) [293734-4](#) [293737-2](#) [1-765362-4](#) [1-794606-3](#) [1871534-1](#) [1969795-1](#) [1969798-1](#)
[1969800-1](#) [200833-4](#)