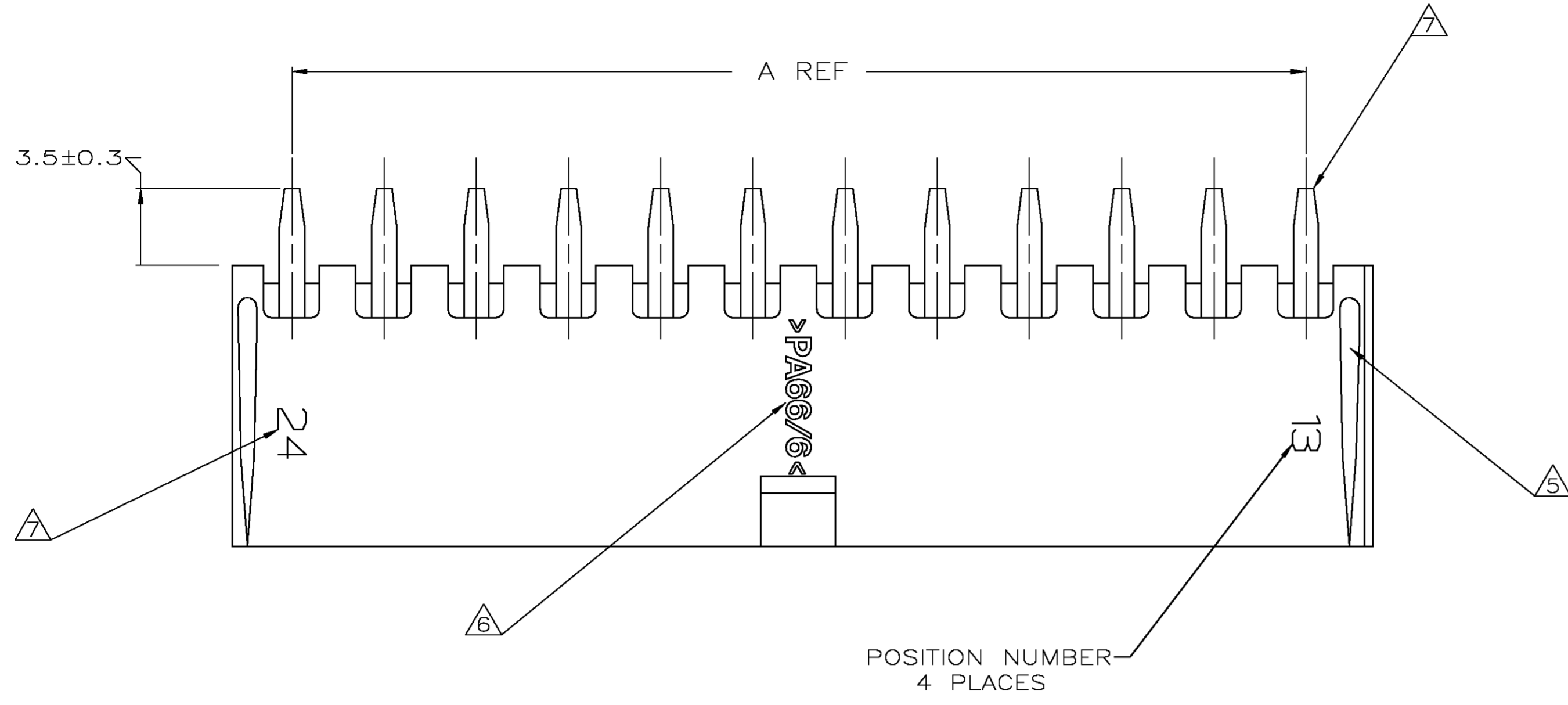
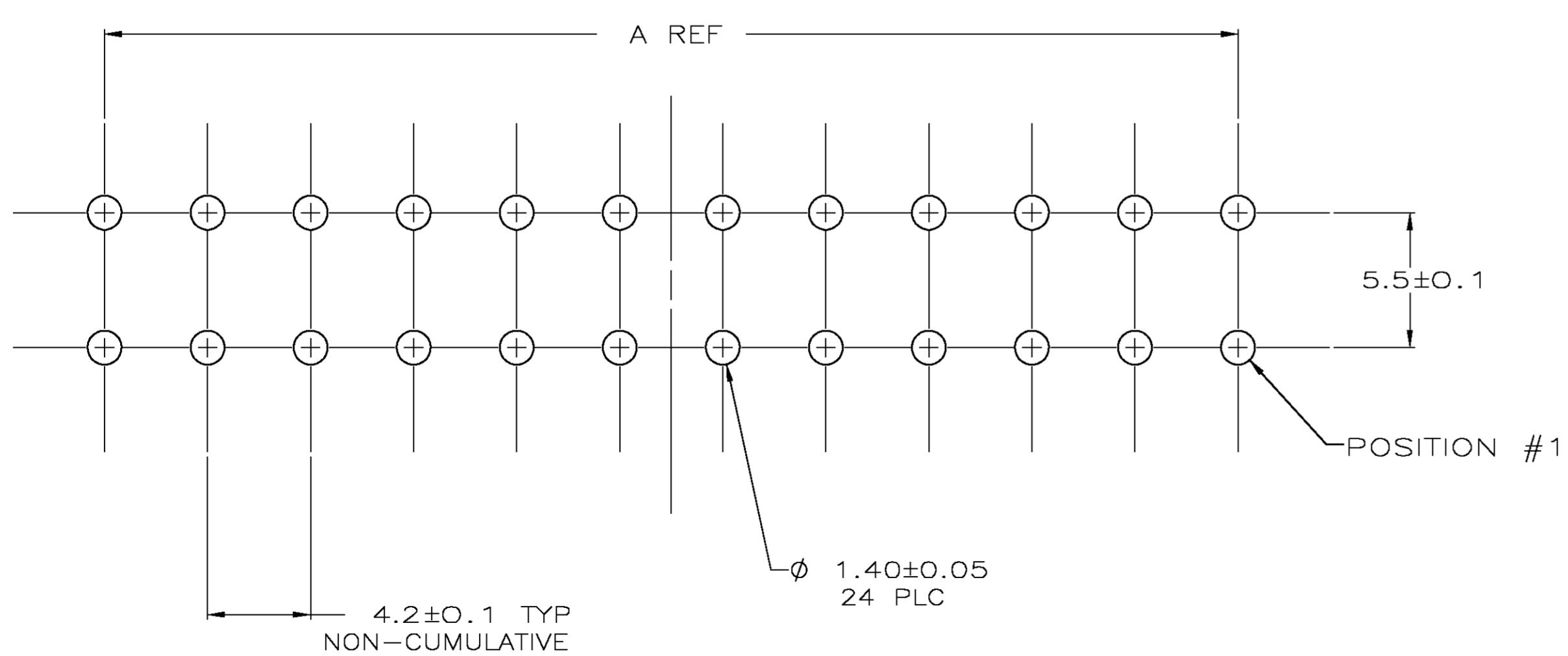
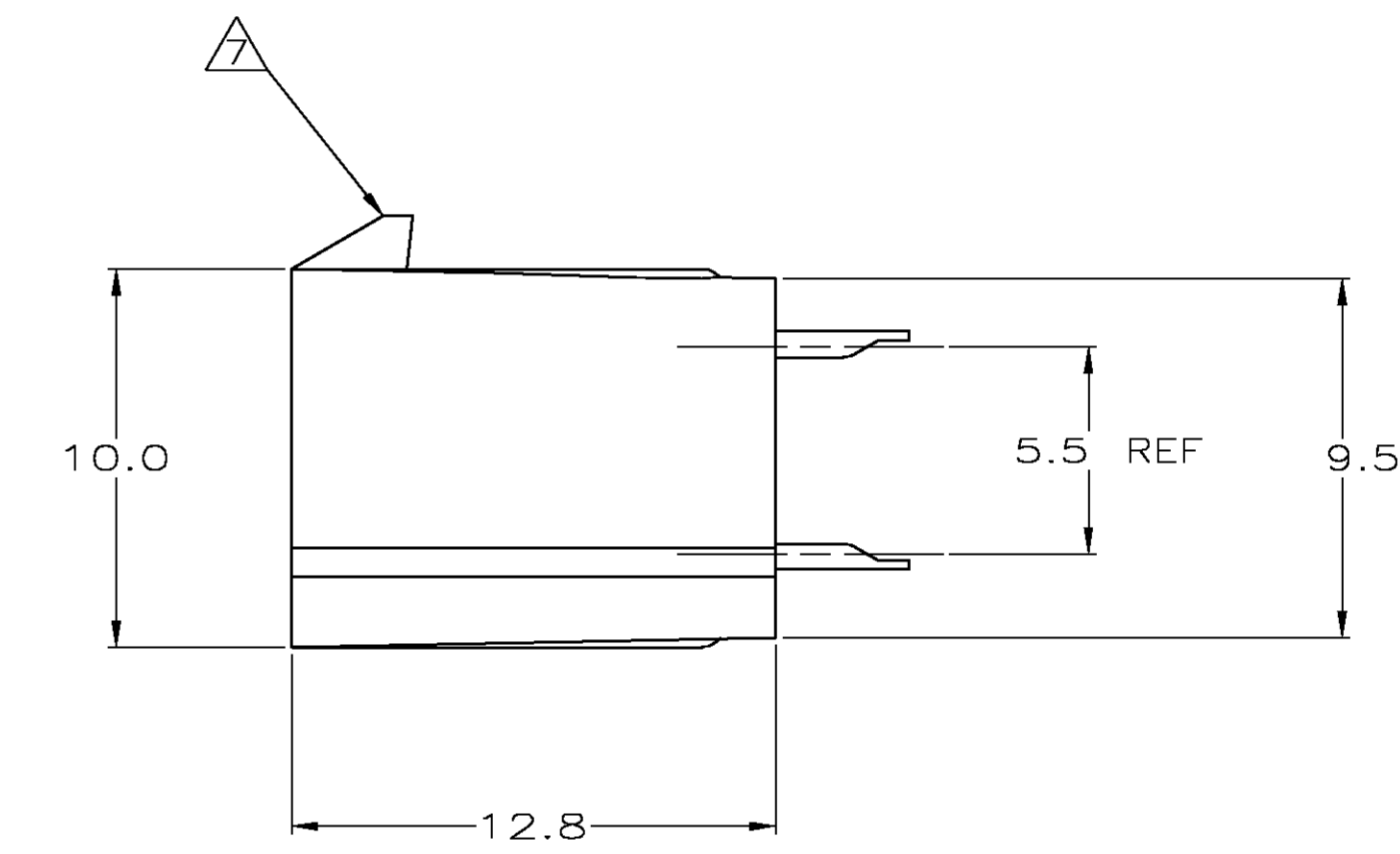
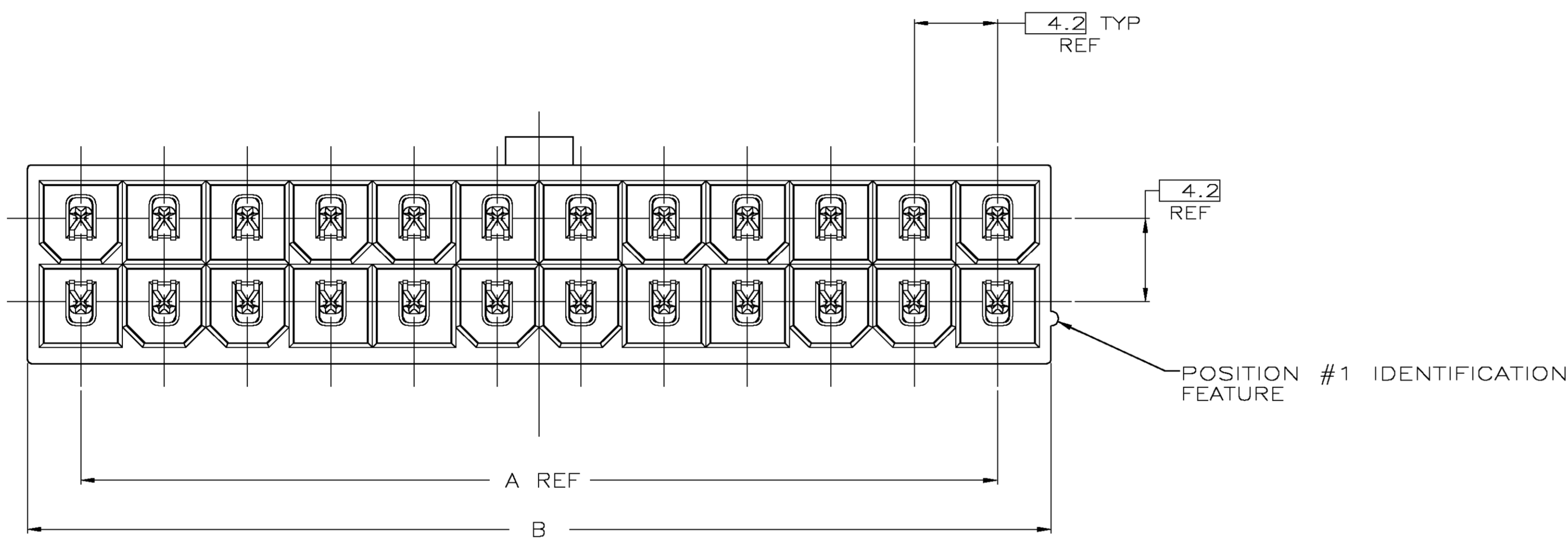


LOC		DIST		REVISIONS			
P	LTR	DESCRIPTION	DATE	DNW	APVD		
0		REVISED PER 0638-1111-04	15JUNE05	KW	SR		



- 1 MATERIAL: HOUSING - NYLON, UL94V-0 (COLOR - WHITE, COLOR OF PARTS MAY VARY). CONTACTS - 0.25 THK COPPER ALLOY.
- 2 CONTACT FINISH: 0.003 MIN THK TIN OVER 0.00127 MIN THK NICKEL OVER ENTIRE CONTACT.
- 3. SOLDER TAIL MEETS AMP SOLDERABILITY SPECIFICATION 109-11-2.
- 4. MATES WITH SIMILARLY PLATED AMP-DUAC™ POWER CONNECTOR RECEPTACLE HOUSINGS/SOCKET CONTACTS.
- 5 RIBS ON FOUR CORNERS OPTIONAL.
- 6 AMP LOGO AND MATERIAL ID MAY BE LOCATED ON EITHER LONG SIDE OF PART.
- 7 SIZE, SHAPE OR STYLE OF THIS FEATURE MAY VARY.



RECOMMENDED MOUNTING HOLE PATTERN FOR 1.78 MAX THICK P.C. BOARD COMPONENT SIDE SHOWN

51.6	46.2	24	2-1586495-4
47.4	42.0	22	2-1586495-2
43.2	37.8	20	2-1586495-0
39.0	33.6	18	1-1586495-8
34.8	29.4	16	1-1586495-6
30.6	25.2	14	1-1586495-4
26.4	21.0	12	1-1586495-2
22.2	16.8	10	1-1586495-0
18.0	12.6	8	1586495-8
13.8	8.4	6	1586495-6
9.6	4.2	4	1586495-4
5.4	0.0	2	1586495-2
B	A	NO. OF POSITIONS	PART NO

METRIC

THIS DRAWING IS A CONTROLLED DOCUMENT.

DIMENSIONS: mm	TOLERANCES UNLESS OTHERWISE SPECIFIED:	DWN: K. WHITAKER 15JUNE2005	APVD: S. RIDGILL 15JUNE2005	NAME: Tyco Electronics Corporation
0 PLC ± -	1 PLC ± 0.2	CHK: S. RIDGILL 15JUNE2005	PRODUCT SPEC: 108-1699	ASSEMBLY, HEADER, VERTICAL, TIN PLATED, W/O PEGS, W/O DRAIN HOLES, 94V-0, AMP-DUAC
2 PLC ± 0.13	3 PLC ± -	APVD: S. RIDGILL 15JUNE2005	APPLICATION SPEC: -	SIZE: A1 DATE CODE: 00779 DRAWING NO: 1586495
4 PLC ± -	ANGLES ± 0°30'	WEIGHT: -	CUSTOMER DRAWING	RESTRICTED TO: -
MATERIAL: 1	FINISH: 2	SCALE: 5:1	SHEET: 1 of 1	REV: 0

## X-ON Electronics

Largest Supplier of Electrical and Electronic Components

*Click to view similar products for [Headers & Wire Housings](#) category:*

*Click to view products by [TE Connectivity](#) manufacturer:*

Other Similar products are found below :

[95000-104TRLF](#) [10135584-644402LF](#) [DF62W-EP2022PCA](#) [95000-106TRLF](#) [DF62W-2022SCA](#) [DF62W-EP2022PC](#) [2203348](#) [DF62W-2022SC](#) [1084018](#) [1029039](#) [1084017](#) [802-10-012-10-002000](#) [1112640](#) [1112639](#) [000-34000](#) [0009482033](#) [0009507031](#) [57102-S06-03LF](#) [57202-S52-04LF](#) [PCN6-15S-2.5E](#) [0039019024](#) [58102-G61-06LF](#) [582553-1](#) [0009508121](#) [0050291907](#) [018731A](#) [LY20-4P-DT1-P1E-BR](#) [02.125.8002.8](#) [60101931](#) [60598-1 \(Cut Strip\)](#) [M1625-3R/100](#) [61062-3](#) [61082-181009](#) [636-1427](#) [638009-1](#) [641938-9](#) [641991-4](#) [644168-1](#) [647662-1](#) [65039-019ELF](#) [65817-002LF](#) [65817-015LF](#) [65863-015LF](#) [66207-023LF](#) [67016-026LF](#) [67046-001LF](#) [67095-007LF](#) [68002-116](#) [68016-236H](#) [68648-049](#)