

THIS DRAWING IS UNPUBLISHED.

RELEASED FOR PUBLICATION

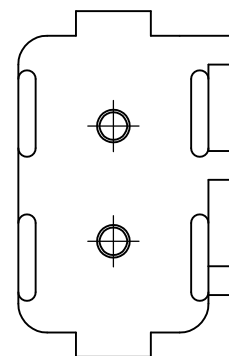
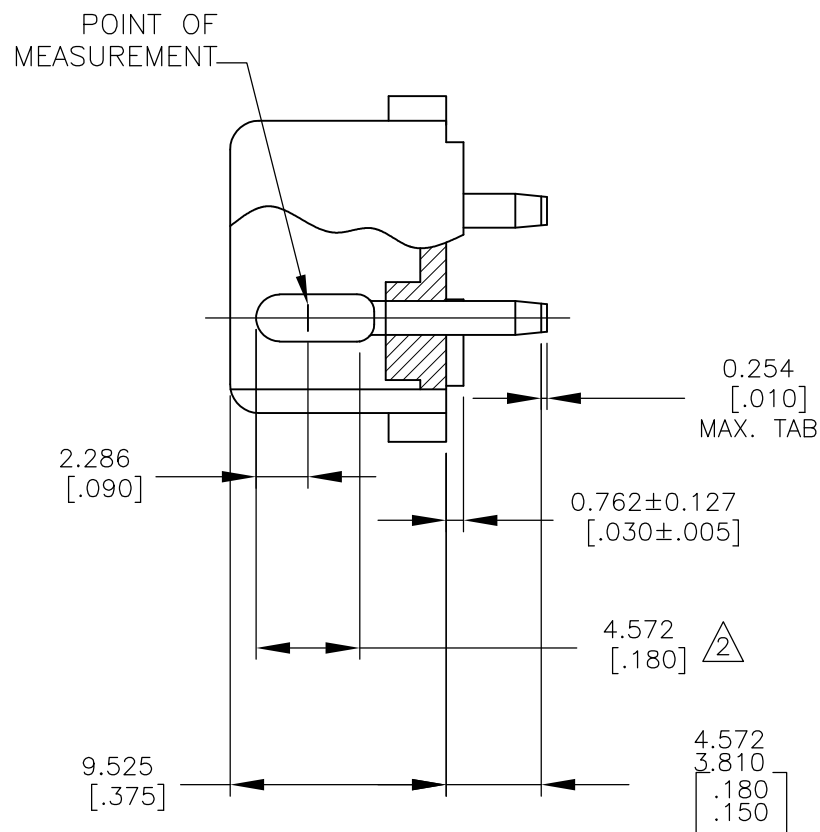
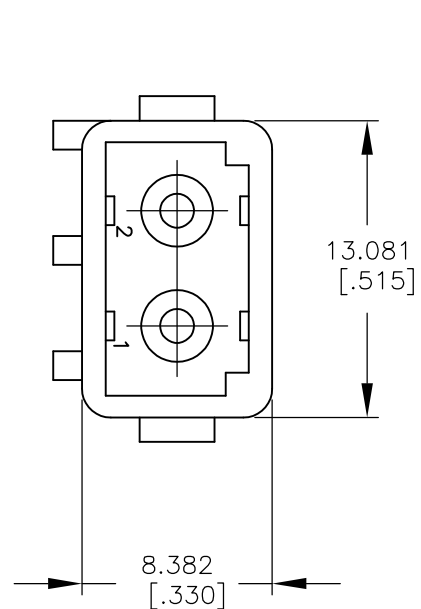
© COPYRIGHT 158651By -

ALL RIGHTS RESERVED.

LOC CM DIST 00

REVISIONS

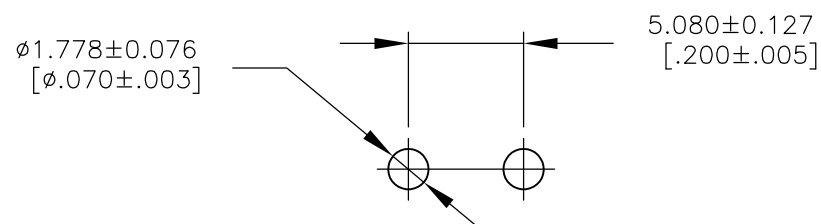
P	LTR	DESCRIPTION	DATE	DWN	APVD
	A	ECR-13-014791	19SEP2013	KKB	RRP



1. PARTS MUST COMPLY WITH SOLDERABILITY SPEC. 109-11-3.

2 CONTACT IS PLATED OVERALL WITH .000050 NICKEL, THEN .000030 GOLD OVER CONTACT LENGTH INDICATED AND MATTE TIN ON SOLDER TAIL END.

3 PRELIMINARY PART NOT RELEASED FOR PRODUCTION.



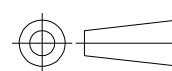
RECOMMENDED LAYOUT FOR 1.575 [.062] THICK P.C. BOARD

METRIC

1586512-3	NYLON-NAT VO.	COPPER ALLOY-GOLD
1586512-2	NYLON-NAT.	COPPER ALLOY-GOLD
ASSEMBLY NO.	HSG, MATL& COLOR	PIN MATL & FINISH

DIMENSIONS:		TOLERANCES UNLESS OTHERWISE SPECIFIED:		DWN		NAME		RESTRICTED TO	
mm	[INCHES]								
		0 PLC	± -	D.COLEY	06OCT2005	2 CIRCUIT COMMERCIAL MATE-N-LOK (TM) HEADER			
		1 PLC	± -	D.COLEY	19SEP2013				
		2 PLC	± -	D.COLEY	06OCT2005				
		3 PLC	± -	PRODUCT SPEC					
		4 PLC	± -	APPLICATION SPEC					
		ANGLES	± -			SIZE	CAGE CODE	DRAWING NO	
MATERIAL	SEE TABLE	FINISH	SEE TABLE	WEIGHT	-	A3	00779	C-1586512	
THIS DRAWING IS A CONTROLLED DOCUMENT.				CUSTOMER DRAWING		SCALE	3:1	SHEET	1 OF 1

STE TE Connectivity



X-ON Electronics

Largest Supplier of Electrical and Electronic Components

Click to view similar products for [Pin & Socket Connectors](#) category:

Click to view products by [TE Connectivity](#) manufacturer:

Other Similar products are found below :

[6450822-1](#) [770392-1](#) [794042-1](#) [796885-1](#) [8-794535-1](#) [PLR3455ACS-222](#) [R929991004](#) [R929993003](#) [1403611-1](#) [1-480349-5](#) [152302-5](#)
[153211-2](#) [1586092-1](#) [1586129-1](#) [1586681-4](#) [1586700-1](#) [1586368-1](#) [1586380-1](#) [1586616-1](#) [1586680-5](#) [16-06-0038](#) [164164-5](#) [1-6609930-1](#)
[172296-1](#) [19-09-2035](#) [200503-1](#) [200788-2](#) [2029090-4](#) [2029095-4](#) [925061-7](#) [293734-4](#) [293737-2](#) [1-765362-4](#) [1-794606-3](#) [1871534-1](#)
[200833-4](#) [2008625-2](#) [2029027-2](#) [2029096-4](#) [R929991000](#) [R929991002](#) [R929993000](#) [319-10-101-00-005000](#) [319-10-102-00-001000](#)
[319-10-104-00-001000](#) [319-10-105-00-001000](#) [319-10-108-00-001000](#) [319-10-112-00-006000](#) [39-01-8019](#) [319-10-101-00-001000](#)