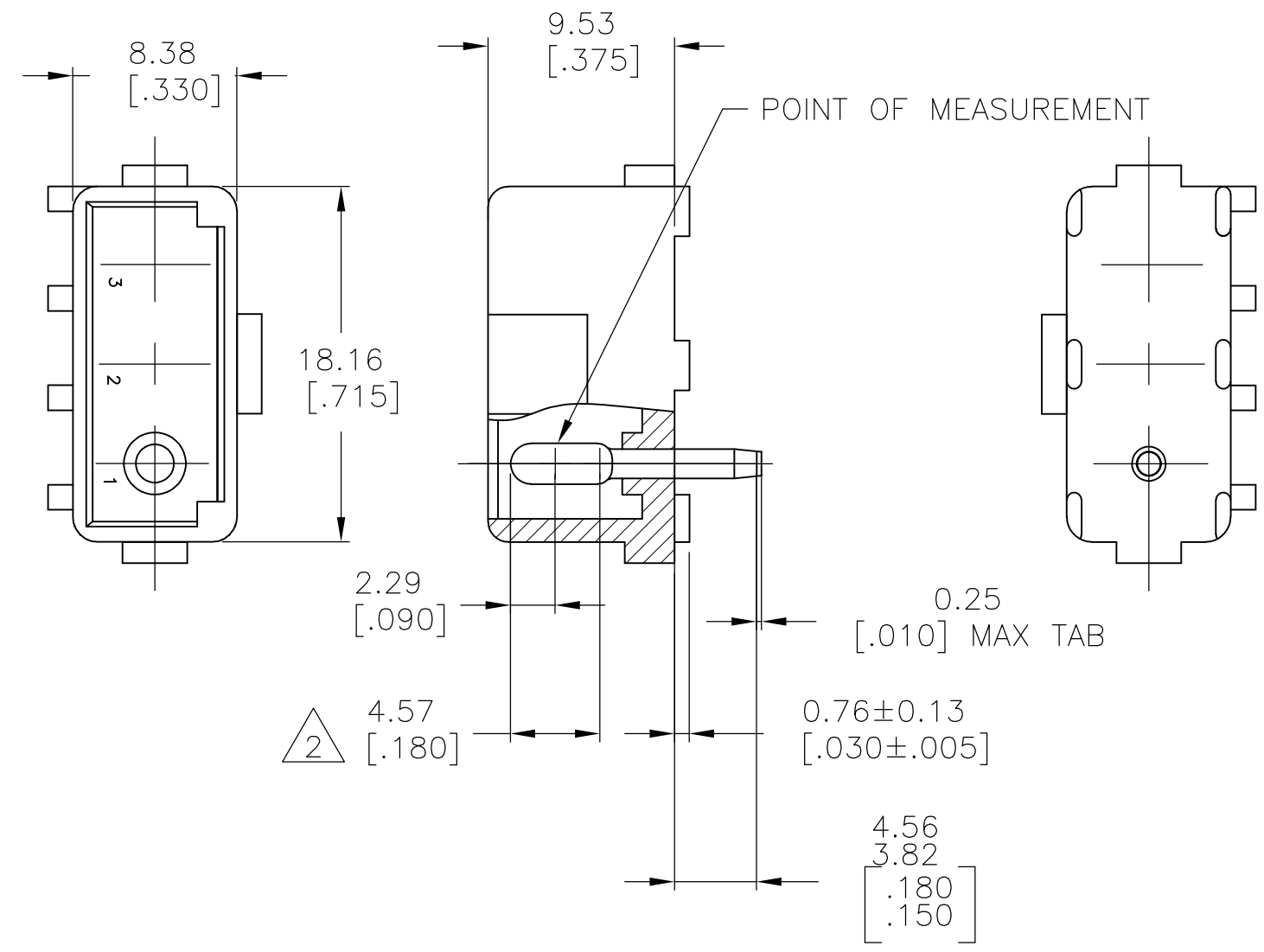
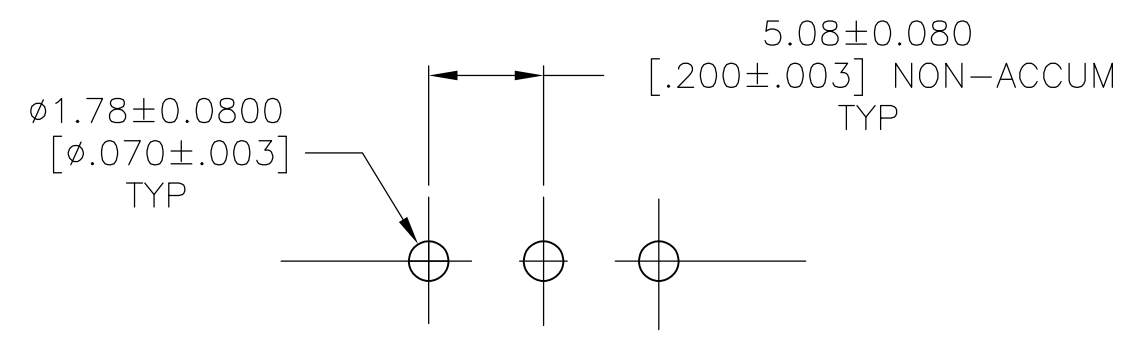


THIS DRAWING IS UNPUBLISHED. RELEASED FOR PUBLICATION  
 © COPYRIGHT BY TYCO ELECTRONICS CORPORATION. ALL RIGHTS RESERVED.

| LOC | DIST | REVISIONS |     |                           |         |     |      |
|-----|------|-----------|-----|---------------------------|---------|-----|------|
| CM  | 0    | P         | LTR | DESCRIPTION               | DATE    | DWN | APVD |
|     |      |           | A   | REVISED PER ECO-08-013365 | 29MAY08 | HMR | CC   |



- 1 PARTS MUST COMPLY WITH SOLDERABILITY SPEC. 109-11-3.
- 2 CONTACT IS PLATED OVERALL WITH .000050 NICKEL, THEN .000030 GOLD OVER CONTACT LENGTH INDICATED AND MATTE TIN ON SOLDER TAIL END.



RECOMMENDED LAYOUT FOR  
 1.575 [.062] THICK P.C. BOARD

|                         |              |                  |                            |
|-------------------------|--------------|------------------|----------------------------|
| SUPERSEDED BY 1586532-2 | 5-1586532-2  | NYLON-GREEN      | COPPER ALLOY-GOLD $\Delta$ |
|                         | 1586532-2    | NYLON-NATURAL    | COPPER ALLOY-GOLD $\Delta$ |
|                         | ASSEMBLY NO. | HSG, MATL& COLOR | PIN MATL & FINISH          |

|  |  |   |         |   |                 |
|--|--|---|---------|---|-----------------|
| THIS DRAWING IS A CONTROLLED DOCUMENT. |  | DWN ARJUN   | 100CT05 | Tyco Electronics Corporation<br>Harrisburg, PA 17105-3608 |                 |
| DIMENSIONS: mm [INCHES]                |  | CHK -   | APVD -  | NAME  |                 |
|  |  | TOLERANCES UNLESS OTHERWISE SPECIFIED:<br>0 PLC ± -<br>1 PLC ± -<br>2 PLC ± -<br>3 PLC ± -<br>4 PLC ± -<br>ANGLES ± - |         | PRODUCT SPEC -  |                 |
| MATERIAL SEE TABLE                     |  | FINISH SEE TABLE  |         | APPLICATION SPEC -  |                 |
|  |  | WEIGHT -  |         | SIZE A3   | CAGE CODE 00779 |
|  |  | CUSTOMER DRAWING  |         | DRAWING NO C-1586532                                      | RESTRICTED TO - |
|  |  | SCALE 3:1   |         | SHEET 1 OF 1  | REV A           |

**METRIC**

## X-ON Electronics

Largest Supplier of Electrical and Electronic Components

*Click to view similar products for [Pin & Socket Connectors](#) category:*

*Click to view products by [TE Connectivity](#) manufacturer:*

Other Similar products are found below :

[6450822-1](#) [770392-1](#) [794042-1](#) [796885-1](#) [8-794535-1](#) [PLR3455ACS-222](#) [R929991004](#) [R929993003](#) [1403611-1](#) [1-480349-5](#) [152302-5](#)  
[153211-2](#) [1586092-1](#) [1586129-1](#) [1586681-4](#) [1586700-1](#) [1586368-1](#) [1586380-1](#) [1586616-1](#) [1586680-5](#) [16-06-0038](#) [164164-5](#) [1-6609930-1](#)  
[172296-1](#) [19-09-2035](#) [200503-1](#) [200788-2](#) [2029090-4](#) [2029095-4](#) [925061-7](#) [293734-4](#) [293737-2](#) [1-765362-4](#) [1871534-1](#) [200833-4](#)  
[2008625-2](#) [2029027-2](#) [2029096-4](#) [R929991000](#) [R929991002](#) [R929993000](#) [319-10-101-00-005000](#) [319-10-102-00-001000](#) [319-10-104-00-001000](#) [319-10-105-00-001000](#) [319-10-108-00-001000](#) [319-10-112-00-006000](#) [39-01-8019](#) [319-10-101-00-001000](#) [319-10-102-00-005000](#)