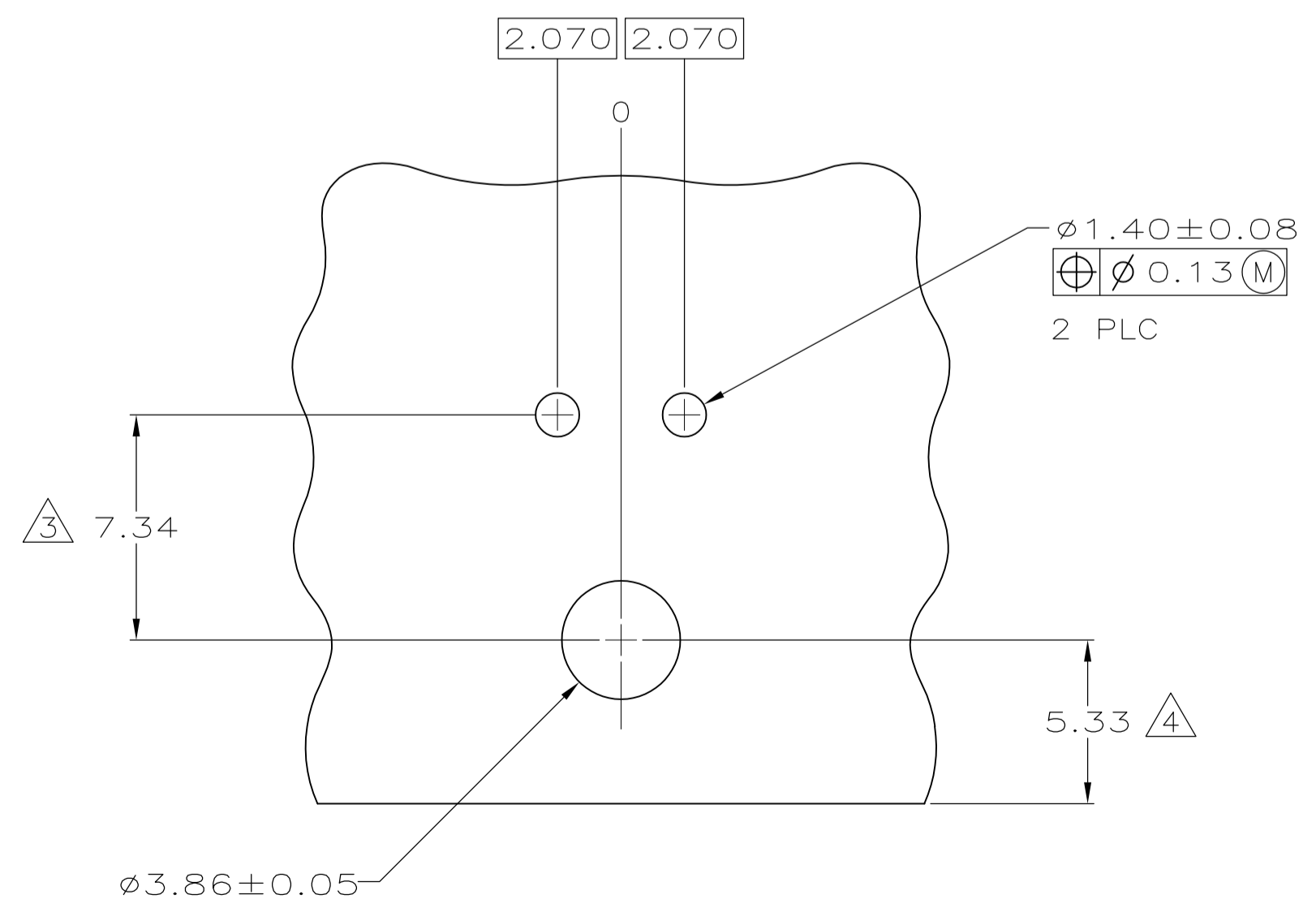
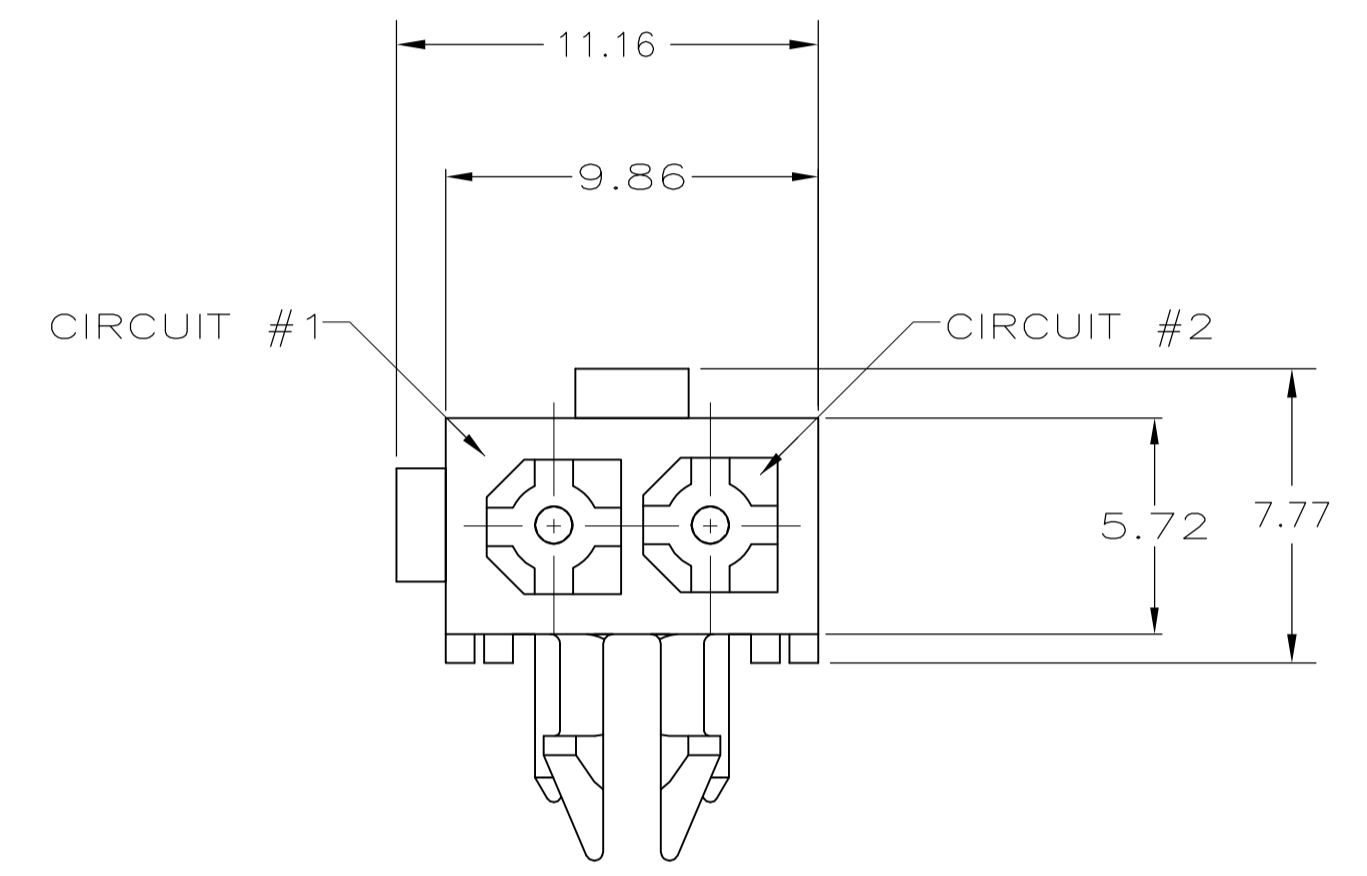
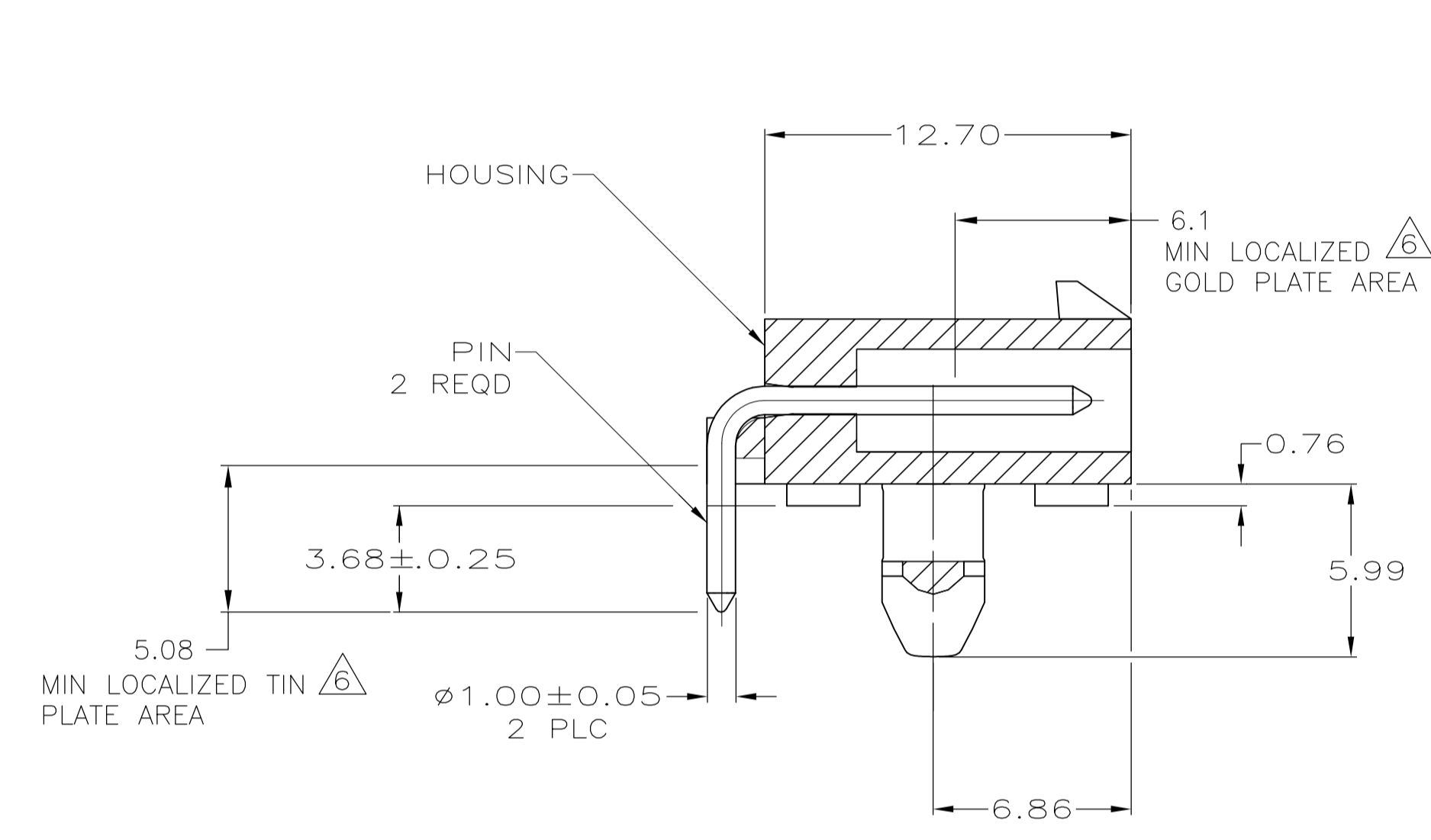


LOC		DIST		REVISIONS			
P	LTR	DESCRIPTION	DATE	DMN	APVD		
C1		REVISED PER ECR-18-005392	26NOV2018	BDA	SH		



RECOMMENDED MOUNTING HOLE PATTERN FOR 1.57 THICK P.C. BOARD

MM	IN	MM	IN
2.070	.0815	-	-
1.57	.062	12.70	.500
1.40	.055	9.86	.388
1.00	.039	7.34	.289
0.76	.030	6.86	.270
0.25	.010	6.10	.240
0.13	.005	5.99	.236
0.08	.003	5.72	.225
0.05	.002	5.33	.210
0.0038	0.000150	5.08	.200
0.00127	0.000050	3.86	.152
0.00076	0.000030	3.68	.145
MM	IN	MM	IN

CONVERSION TABLE

- PINS TO COMPLY WITH AMP SOLDERABILITY SPEC 109-11-3.
- MATES WITH PLUG P/N 1586615-1.
- COORDINATE DIMENSION APPLIES FROM CENTER OF ACTUAL FEATURE.
- RECOMMENDED FOR EDGE MOUNTING.
- 0.00381 MIN MATTE TIN OVER 0.00127 MIN NICKEL ENTIRE LENGTH OF PIN.
- 0.00076 MIN GOLD PLATE IN THE LOCALIZED GOLD PLATE AREA 0.00381 MIN MATTE TIN IN THE LOCALIZED TIN PLATE AREA, BOTH OVER 0.00127 MIN NICKEL.

OBsolete	BRASS	6	NYLON, UL94V-0	WHITE	<del>1586608-2</del>
	BRASS	5	NYLON, UL94V-0	WHITE	1586608-1
	MATERIAL	FINISH	MATERIAL	COLOR	PART NO.
	PIN		HOUSING		

THIS DRAWING IS A CONTROLLED DOCUMENT.

DIMENSIONS: mm	TOLERANCES UNLESS OTHERWISE SPECIFIED:	DIN K. WHITAKER 08APR2005	NAME
	0 PLC ±	CHK C. JONES 08APR2005	STE TE Connectivity
	1 PLC ±	APVD C. JONES 08APR2005	PRODUCT SPEC
	2 PLC ±		APPLICATION SPEC
	3 PLC ± 0.13		SIZE
	4 PLC ±		WEIGHT
	ANGLES ±		CUSTOMER DRAWING

HEADER ASSEMBLY, RIGHT ANGLE, WITH SHORT PEG, 2 CIRCUIT, SPECIAL KEYING, MINI UNIVERSAL MATE-N-LOK(TM)

SCALE 5:1 SHEET 1 OF 1 REV C1

## X-ON Electronics

Largest Supplier of Electrical and Electronic Components

*Click to view similar products for [Pin & Socket Connectors](#) category:*

*Click to view products by [TE Connectivity](#) manufacturer:*

Other Similar products are found below :

[6450822-1](#) [770392-1](#) [794042-1](#) [796885-1](#) [8-794535-1](#) [881459-2](#) [R929993003](#) [1-350779-3](#) [1403611-1](#) [1-480349-5](#) [152302-5](#) [1586092-1](#)  
[1586129-1](#) [1586487-1](#) [1586681-4](#) [1586700-1](#) [1586065-1](#) [1586077-1](#) [1586368-1](#) [1586380-1](#) [1586616-1](#) [1586680-5](#) [1586681-2](#) [1604996-1](#)  
[16-06-0038](#) [164164-5](#) [1-6609930-1](#) [172296-1](#) [1-794714-6](#) [19-09-2035](#) [1969804-1](#) [200503-1](#) [200788-2](#) [201046-7](#) [202648-4](#) [2029076-2](#)  
[2029090-4](#) [2029095-4](#) [2-66102-6](#) [925061-7](#) [926681-1](#) [293734-4](#) [293737-2](#) [1-765362-4](#) [1-794606-3](#) [1871534-1](#) [1969795-1](#) [1969798-1](#)  
[1969800-1](#) [200833-4](#)