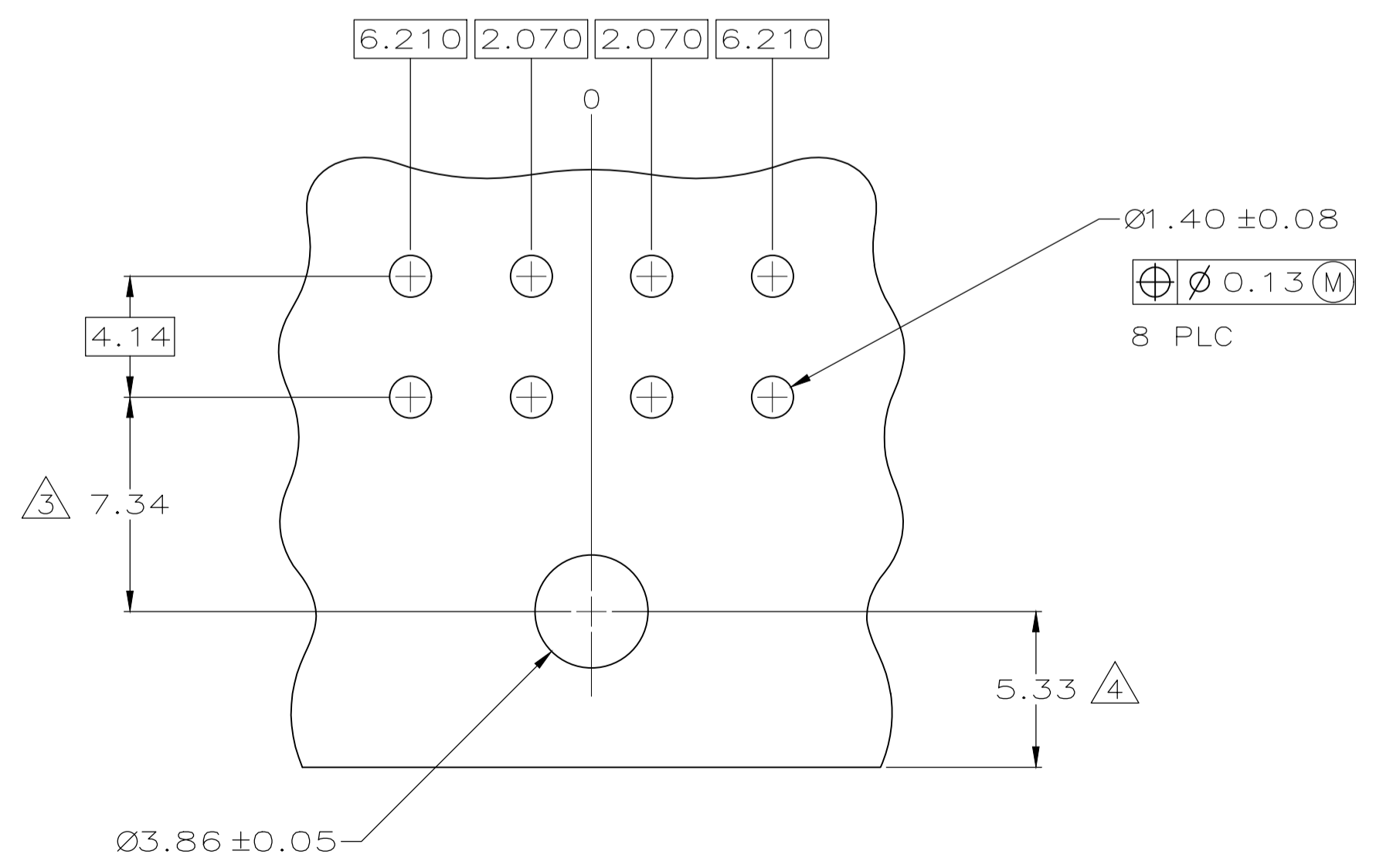
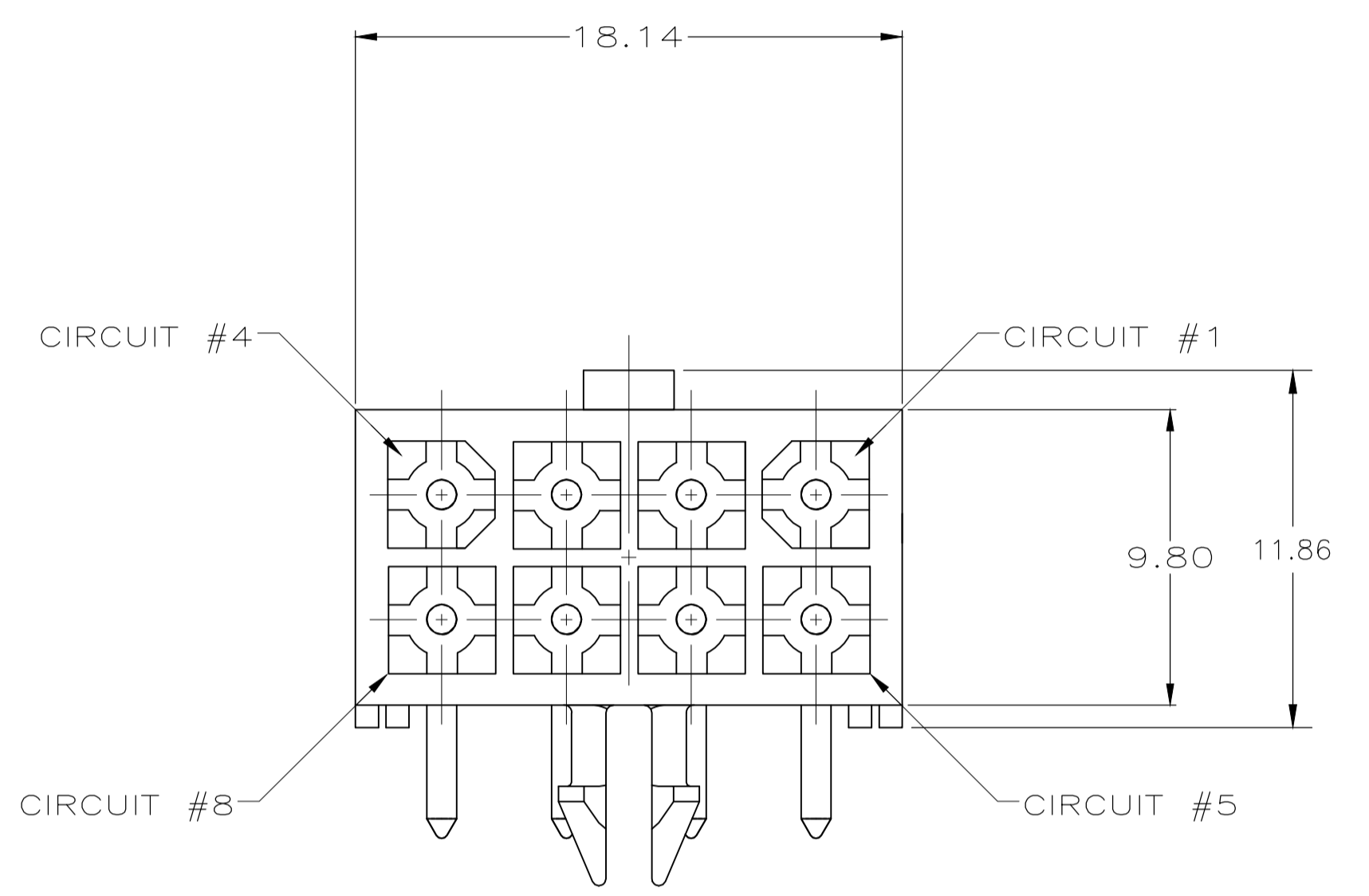
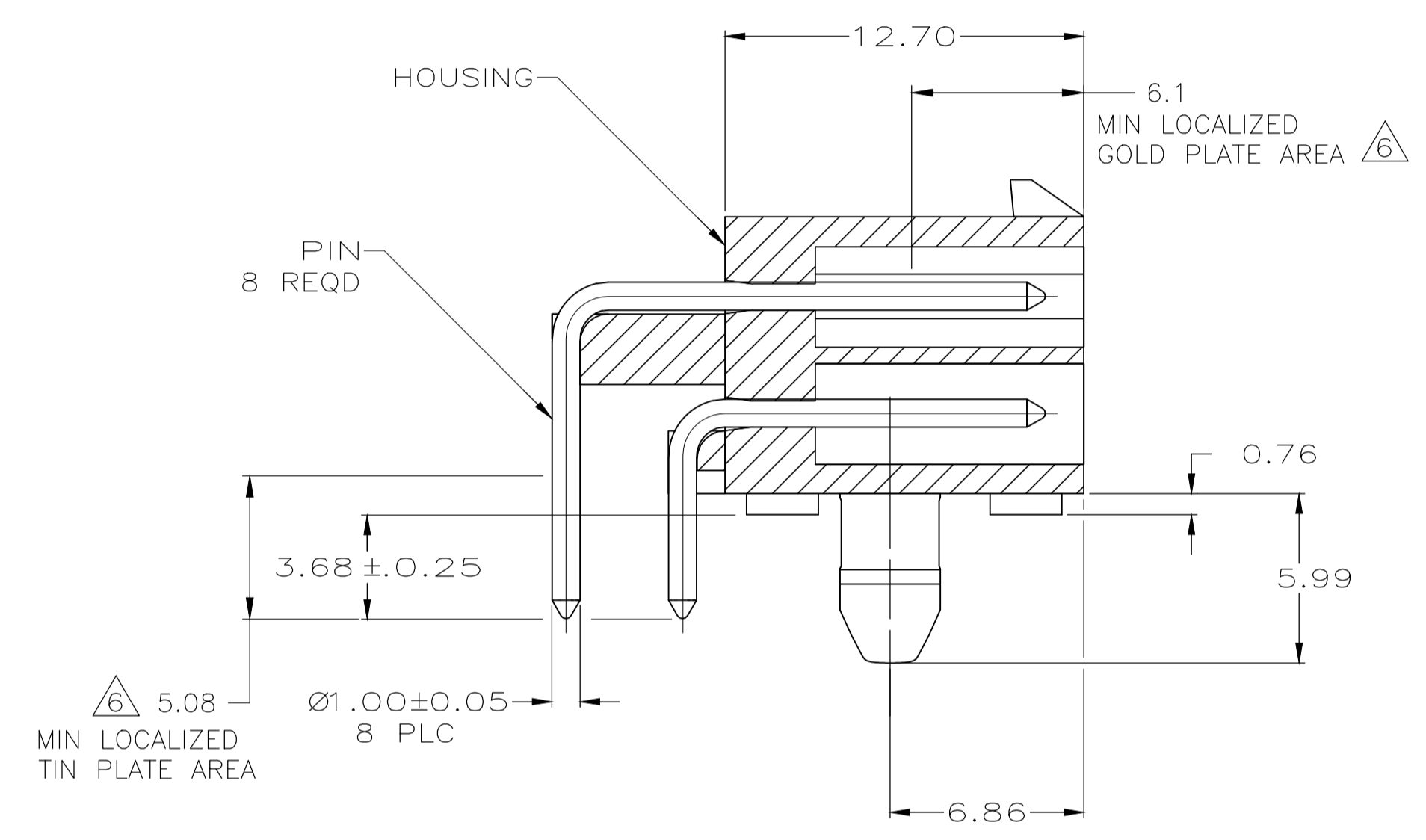


LOC		DIST		REVISIONS			
P	LTR	DESCRIPTION	DATE	DMN	APVD		
C1		REVISED PER ECR-18-005392	26NOV2018	BDA	SG		



RECOMMENDED MOUNTING HOLE PATTERN FOR 1.57 THICK P.C. BOARD

- PINS TO COMPLY WITH AMP SOLDERABILITY SPEC 109-11-3.
- MATES WITH PLUG P/N 1586589-1.
- COORDINATE DIMENSION APPLIES FROM CENTER OF ACTUAL FEATURE.
- RECOMMENDED FOR EDGE MOUNTING.
- 0.00381 MIN MATTE TIN OVER 0.00127 MIN NICKEL ENTIRE LENGTH OF PIN.
- 0.00076 MIN GOLD PLATE IN THE LOCALIZED GOLD PLATE AREA 0.00381 MIN MATTE TIN IN THE LOCALIZED TIN PLATE AREA, BOTH OVER 0.00127 MIN NICKEL.

MM	IN	MM	IN
3.68	.145	-	-
2.070	.0815	18.14	.714
1.57	.062	12.70	.500
1.40	.055	9.80	.386
1.00	.039	7.34	.289
0.76	.030	6.86	.270
0.25	.010	6.210	.2445
0.13	.005	6.10	.240
0.08	.003	5.99	.236
0.05	.002	5.33	.210
0.00381	0.000150	5.08	.200
0.00127	0.000050	4.14	.163
0.00076	0.000030	3.86	.152

MATERIAL	FINISH	MATERIAL	COLOR	PART NO.
BRASS	6	NYLON, UL94V-0	WHITE	1586612-2
BRASS	5	NYLON, UL94V-0	WHITE	1586612-1

THIS DRAWING IS A CONTROLLED DOCUMENT.

DIN K. WHITAKER 08APR2005
 CHK C. JONES 08APR2005
 APVD C. JONES 08APR2005

NAME: **STE** TE Connectivity

APPLICATION SPEC: HEADER ASSEMBLY, RIGHT ANGLE, WITH SHORT PEG, 8 CIRCUIT, SPECIAL KEYING, MINI UNIVERSAL MATE-N-LOK(TM)

SIZE: A1 | CASE CODE: 00779 | DRAWING NO: 1586612 | RESTRICTED TO: -

MATERIAL: SEE TABLE | FINISH: SEE TABLE | WEIGHT: - | CUSTOMER DRAWING: - | SCALE: 5:1 | SHEET: 1 OF 1 | REV: C1

X-ON Electronics

Largest Supplier of Electrical and Electronic Components

Click to view similar products for [Pin & Socket Connectors](#) category:

Click to view products by [TE Connectivity](#) manufacturer:

Other Similar products are found below :

[6450822-1](#) [770392-1](#) [794042-1](#) [796885-1](#) [8-794535-1](#) [881459-2](#) [R929993003](#) [1-350779-3](#) [1403611-1](#) [1-480349-5](#) [1586092-1](#) [1586129-1](#)
[1586487-1](#) [1586681-4](#) [1586700-1](#) [1586065-1](#) [1586077-1](#) [1586368-1](#) [1586380-1](#) [1586680-5](#) [1586681-2](#) [1604996-1](#) [16-06-0038](#) [164164-5](#) [1-](#)
[6609930-1](#) [172296-1](#) [1-794714-6](#) [19-09-2035](#) [1969804-1](#) [200503-1](#) [200788-2](#) [201046-7](#) [202648-4](#) [2029076-2](#) [2029090-4](#) [2029095-4](#) [2-](#)
[66102-6](#) [925061-7](#) [926681-1](#) [293734-4](#) [293737-2](#) [1-765362-4](#) [1-794606-3](#) [1871534-1](#) [1969795-1](#) [1969798-1](#) [1969800-1](#) [200833-4](#)
[2008625-2](#) [2029027-2](#)